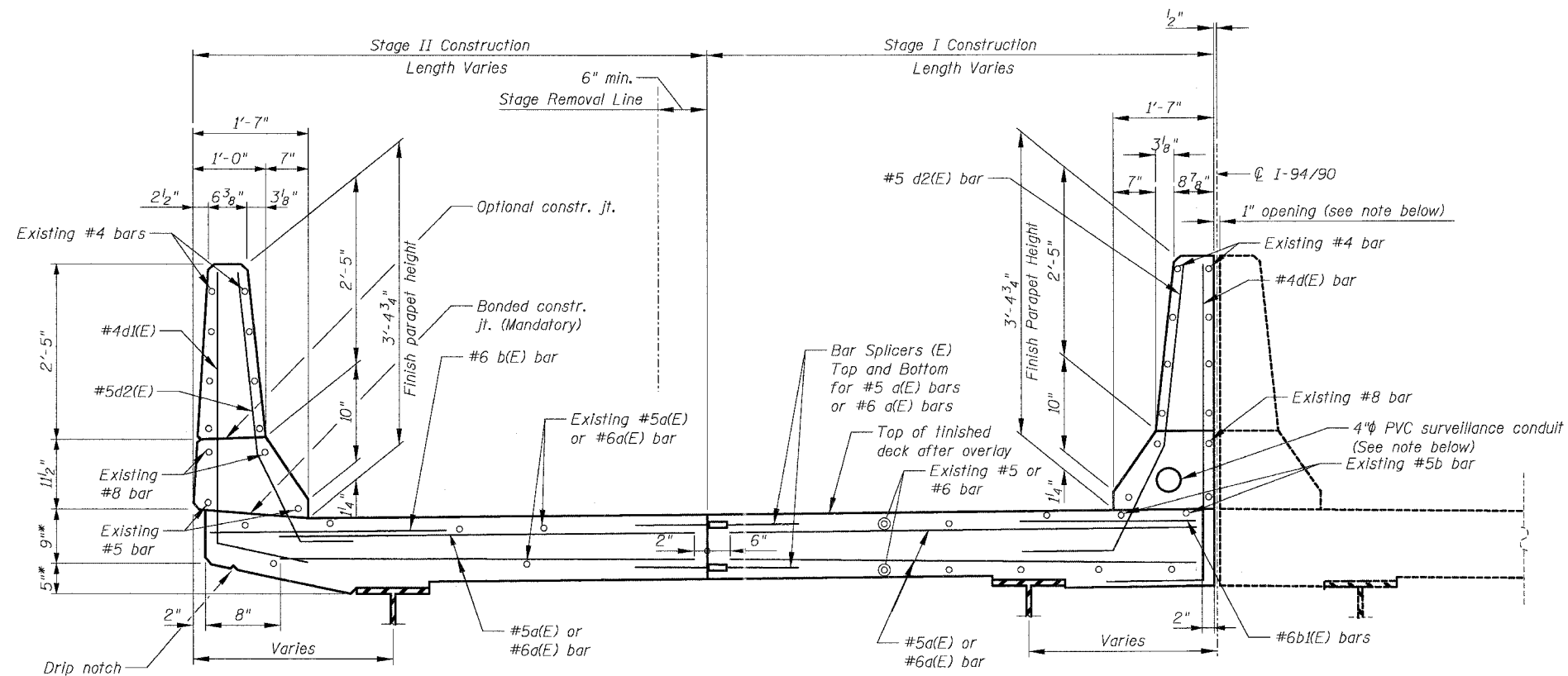


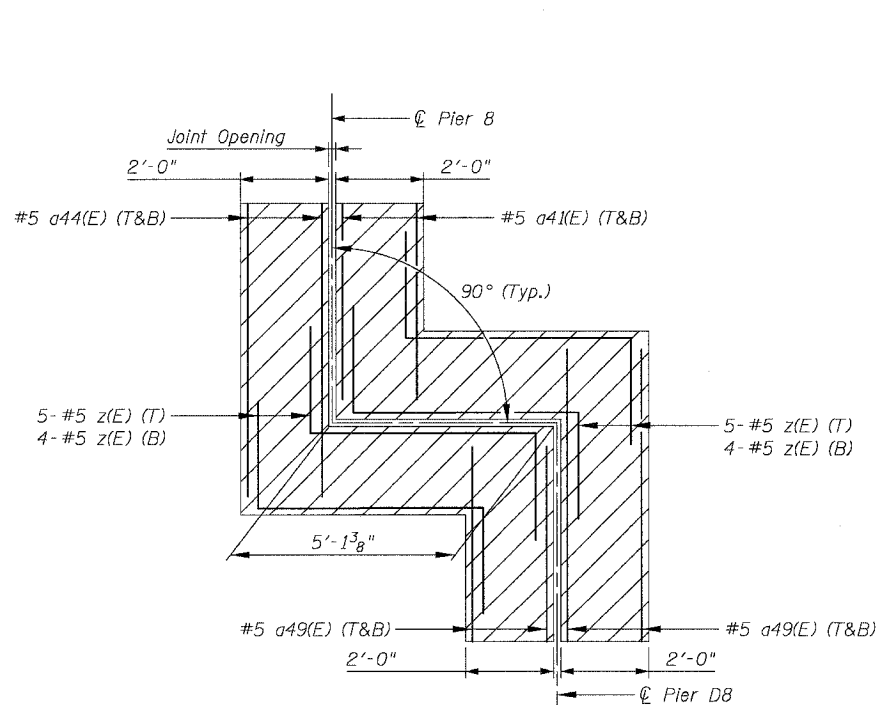
F.A.I.	SECTION	COUNTY	TOTAL SHEETS	SHEET NO.
94/90	2003-028F	COOK	419	170
STA.	TO STA.			
FED. ROAD DIST. NO.	ILLINOIS	FED. AID PROJECT		

62580



**CROSS SECTION ALONG JOINT RECONSTRUCTION**  
(TYP)  
(NTS)

\* Match Existing

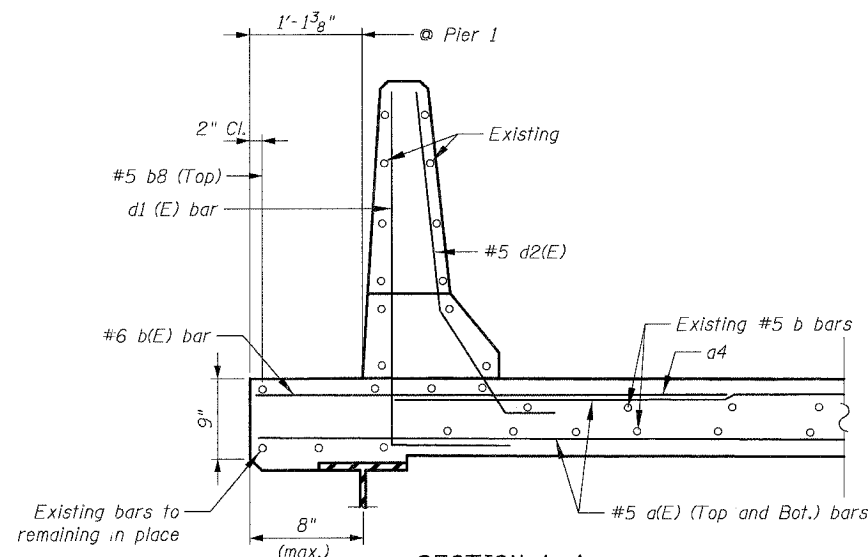


**DETAIL "A"**

(SN 016-1113, Joint detail at Piers 8 & D8)

**REINFORCEMENT FOR DETAIL "A" BAR SCHEDULE**

STRUCTURE NUMBER	PIER	BAR	NO.	SIZE	LENGTH	SHAPE
016-1113	8 D8	z(E)	18	#5	12'-1"	L



**SECTION A-A**

(SN 016-1113, Spans C1 & C2)  
(NTS)

**BILL OF MATERIAL**

ITEM DESCRIPTION	UNIT	QUANTITY
REINFORCEMENT BARS EPOXY COATED	POUND	230

**Notes:**

Existing longitudinal reinforcement in slab and barriers shall be cleaned, straightened and incorporated into new construction.

Bend #4d1 bars over fascia girder to clear the top flange as needed.

4" φ PVC Surveillance conduit to remain Contractor shall take care not to damage existing conduit. Any damaged conduit shall be repaired or replaced by the Contractor to the satisfaction of the Engineer at no additional cost to the Department

Remove existing rails, posts and anchors as required for the partial removal of barriers for the joint reconstruction. Reinstall anchors and rail posts. Cost included with "Concrete Superstructure".

Longitudinal joint between barriers will be sealed by others in a future contract.

REVISIONS	
NAME	DATE

ILLINOIS DEPARTMENT OF TRANSPORTATION  
F.A.I. 94/90 (DAN RYAN EXPRESSWAY)  
NB DAN RYAN ELEVATED BRIDGE  
REPAIR FROM 15TH TO 28TH STREETS  
TYPICAL DECK SLAB  
CROSS SECTIONS

SCALE: NTS  
DATE: 8/12/2005

DRAWN BY: BDC  
CHECKED BY: BLU

BOWMAN, BARRETT & ASSOCIATES INC.  
CONSULTING ENGINEERS  
Chicago, Illinois  
312.228.0100  
www.bbainc.com



8/11/2005 11:54:43 AM