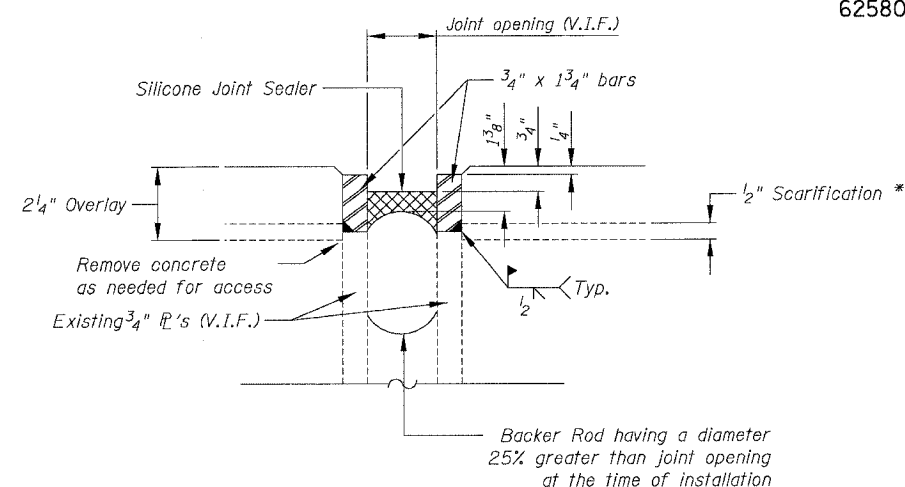
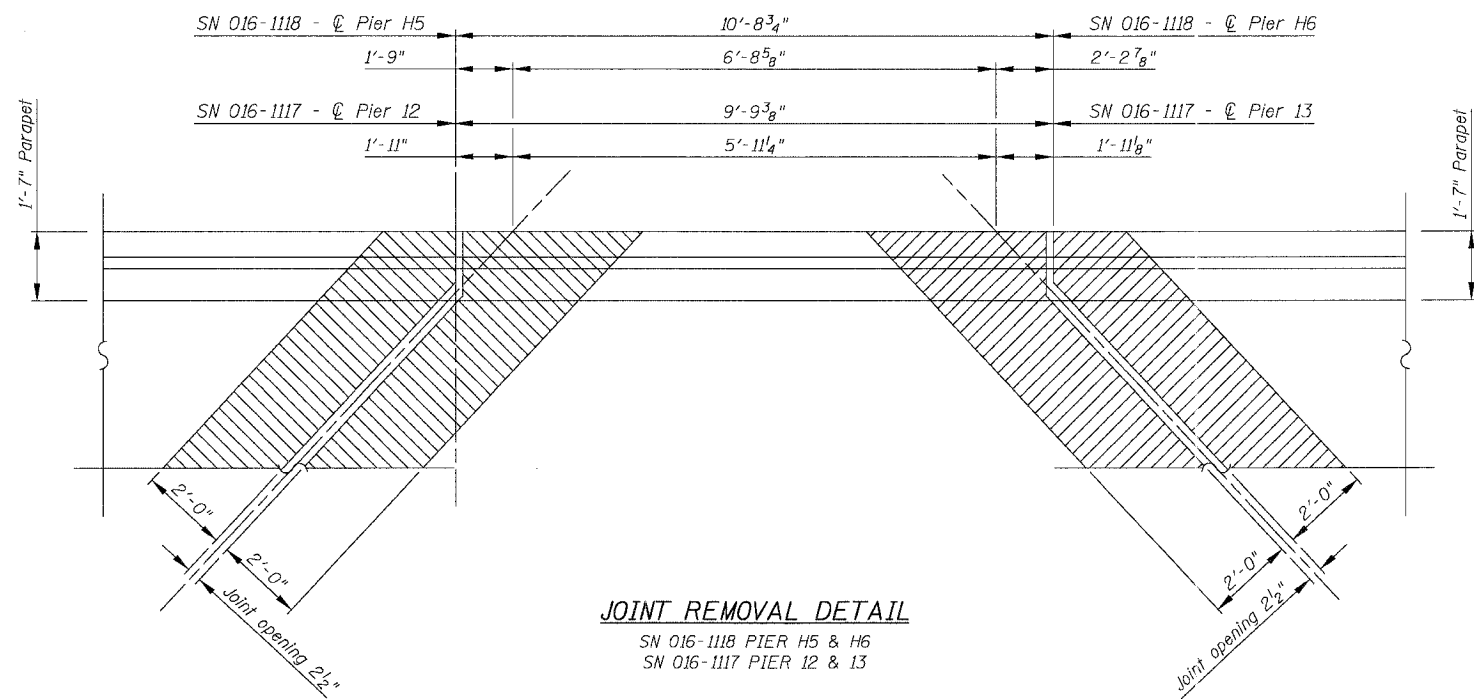


JOINT REMOVAL DETAIL
SN 016-1112 PIER 21 & PIER 22

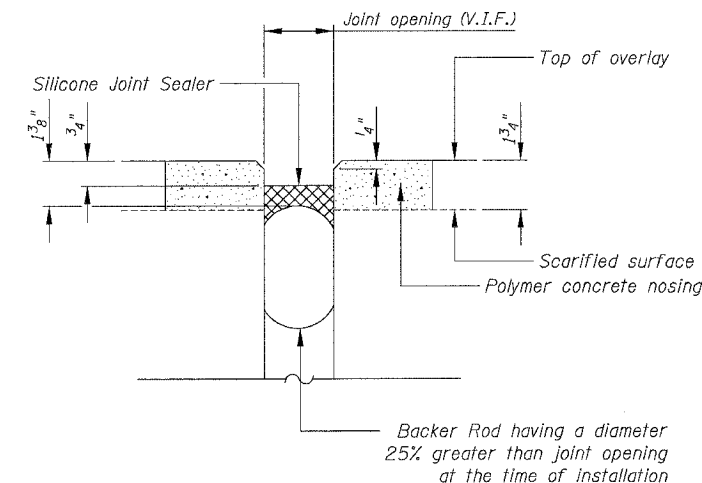


SILICONE JOINT SEALER DETAIL

* Care shall be taken not to damage existing R's during Hydroscarification.
V.I.F. = Verify in field
If existing joint does not have steel plates see alternate Silicone Joint Sealer Detail.
Cost of existing joint removal included with "Hydroscarification (1/2)".



JOINT REMOVAL DETAIL
SN 016-1118 PIER H5 & H6
SN 016-1117 PIER 12 & 13

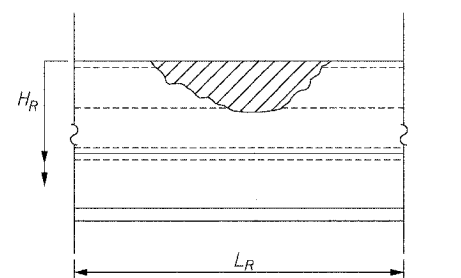


ALTERNATE SILICONE JOINT SEALER DETAIL

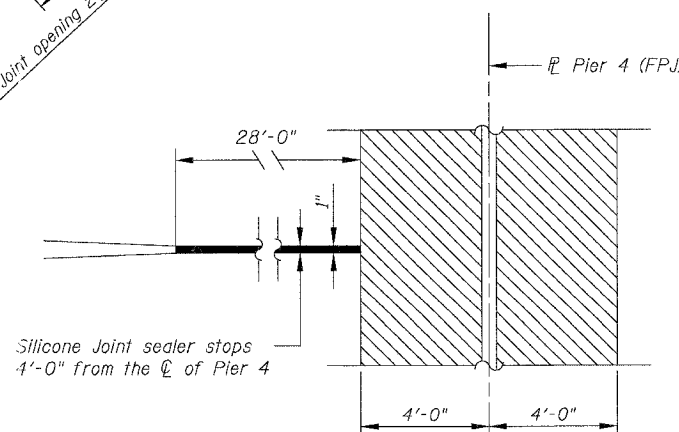
Note:
For locations of silicone joint sealer see sheets 150 and 158.

PARAPET REPAIR DIMENSIONS AND BILL OF MATERIALS

	016-1115 LOCATION 1	016-1114 LOCATION 2	016-1112 LOCATION 3
L _R	8'-0"	6'-0"	5'-0"
H _R	3'-6"	3'-6"	3'-6"
Concrete Removal Cu. Yd.	1.1	0.82	0.70
Concrete Superstructure Cu. Yd.	1.1	0.82	0.70



PARAPET REPAIRS - DETAIL "B"
(Front face of Parapet)



SILICONE JOINT SEALER - DETAIL "C"