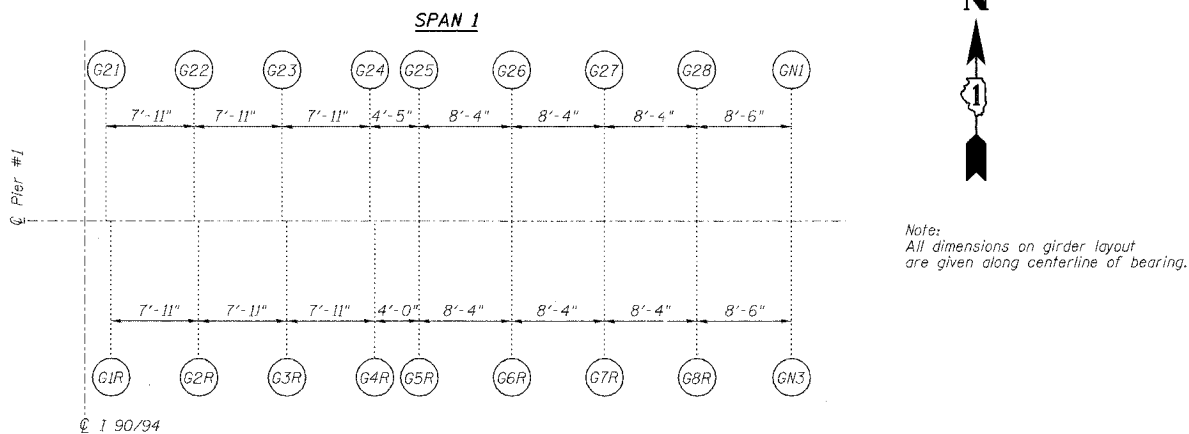


STATE OF ILLINOIS
DEPARTMENT OF TRANSPORTATION

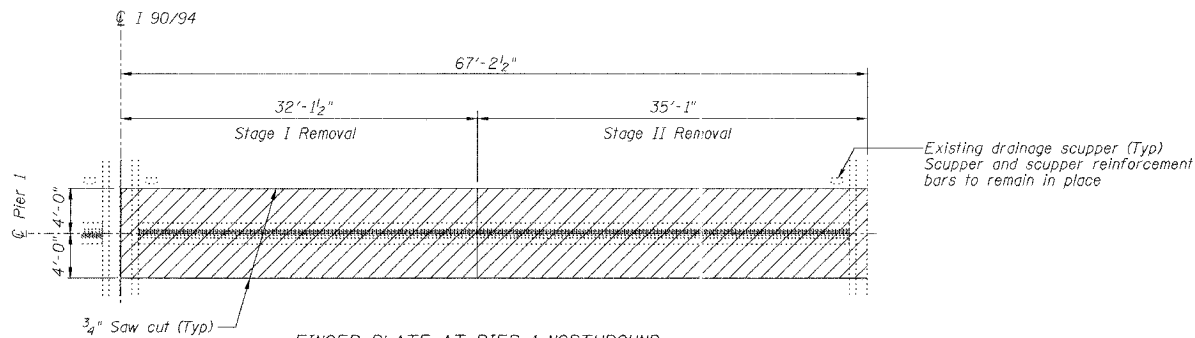
ROUTE NO.	SECTION	COUNTY	TOTAL SHEETS	SHEET NO.
FAI 90/94	*	COOK	419	180
FED. ROAD DIST. NO.	ILLINOIS	PROJECT		

Sheet No 2
of 8 Sheets

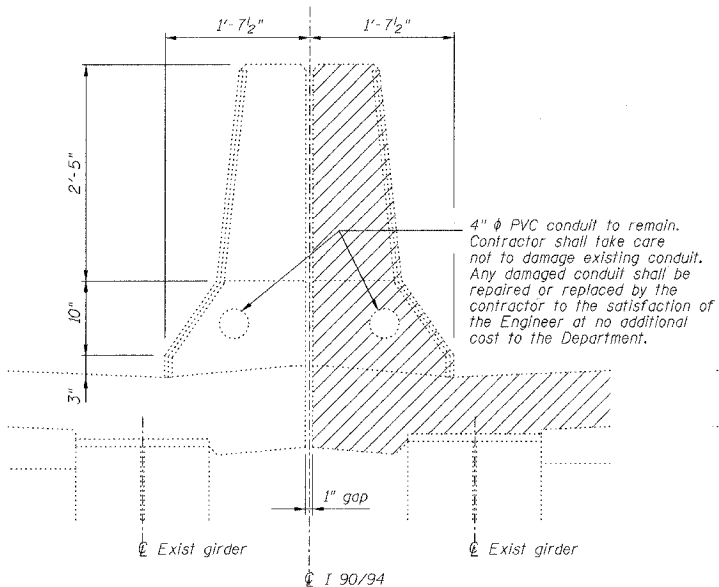
• 2005-008F
CONTRACT #62580



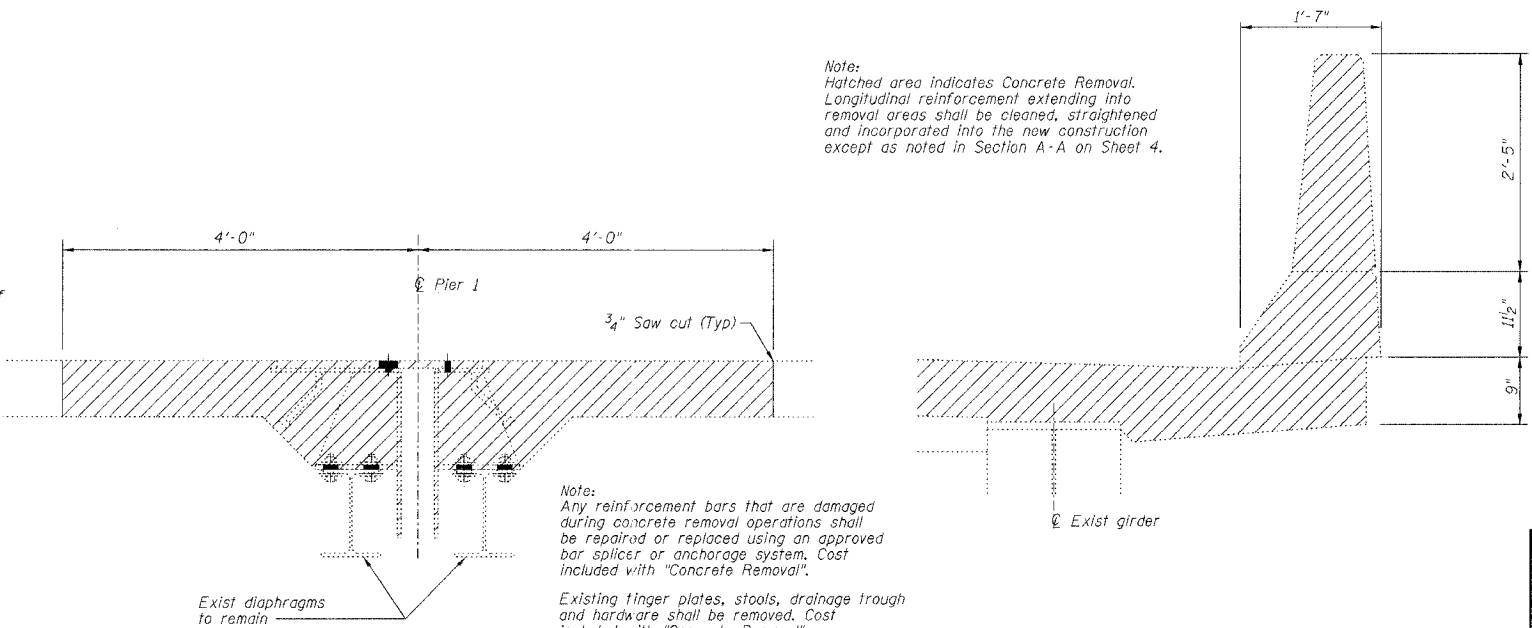
SPAN II
(SN 016-1111)
GIRDER LAYOUT AT PIER 1



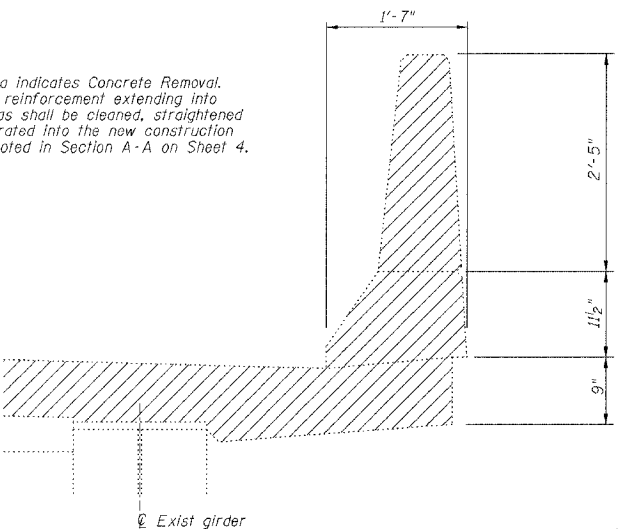
FINGER PLATE AT PIER 1 NORTHBOUND
JOINT REMOVAL PLAN AT PIER 1



DETAIL AT EXISTING MEDIAN PARAPET



SECTION AT EXISTING FINGER PLATE AT PIER 1



DETAIL AT EXISTING OUTSIDE PARAPET

PIER NO. 1

FINGER PLATE EXPANSION JOINT REMOVAL DETAILS

REVISIONS		STATE OF ILLINOIS DEPARTMENT OF TRANSPORTATION DIVISION OF HIGHWAYS		DRAWN BY: RLK	DATE: 5/03
1				CHECKED BY: SDS	DATE: 5/03
2				BOOK NUMBER	
3		FAI RTE 90/94 DAN RYAN EXPRESSWAY		PROJECT No.	
4		SN 016-1110 (NORTHBOUND)		4222-3	
5		SEC 2005-008F		SHEET No.	
6		COOK COUNTY			
7		HOMER L. CHASTAIN & ASSOCIATES		CONSULTING ENGINEERS	
8		8000 W. BRYEN MAWR AVENUE		SUITE 204	
9		CHICAGO, ILLINOIS 60601		TEL: 774-0080	
10				FAX: 312-734-0068	