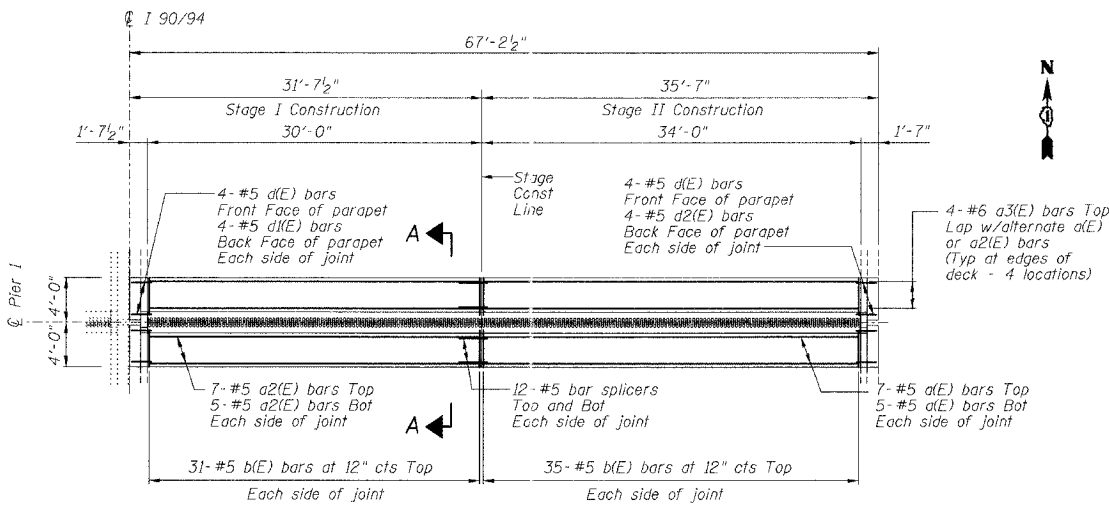


STATE OF ILLINOIS
DEPARTMENT OF TRANSPORTATION

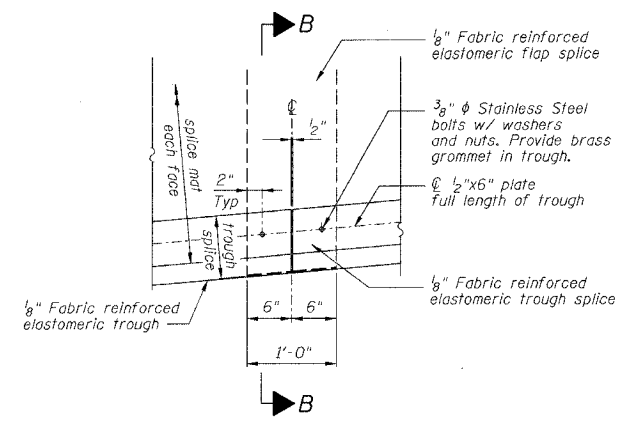
ROUTE NO.	SECTION	COUNTY	TOTAL SHEETS	SHEET NO.
FAI 90/94		COOK	419	184
FED. ROAD DIST. NO.	ILLINOIS	PROJECT		

Sheet No 3
of 8 Sheets

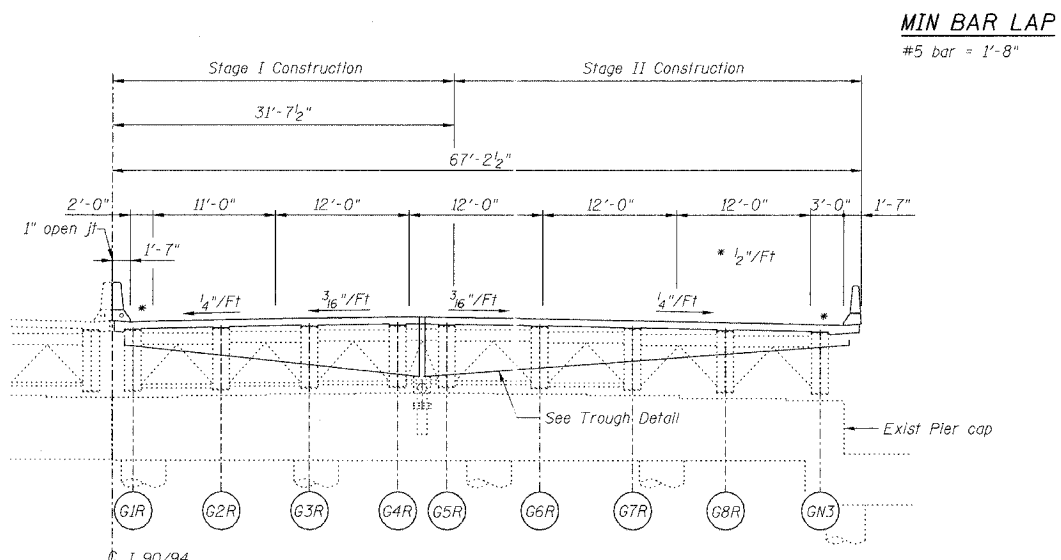
2005-008F
CONTRACT #62580



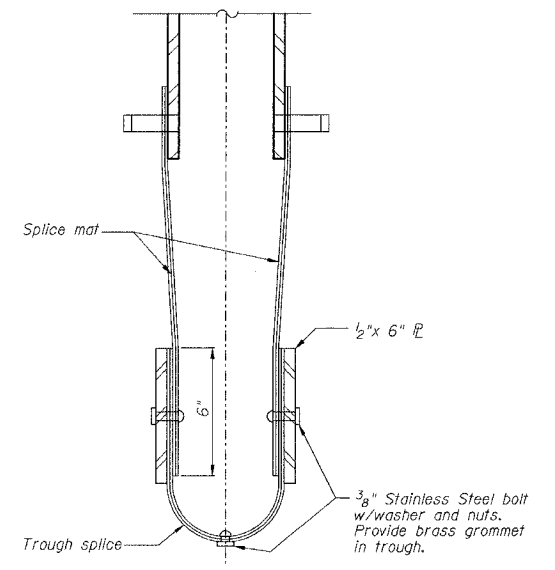
FINGER PLATE AT PIER 1 NORTHBOUND
JOINT RECONSTRUCTION PLAN AT PIER 1



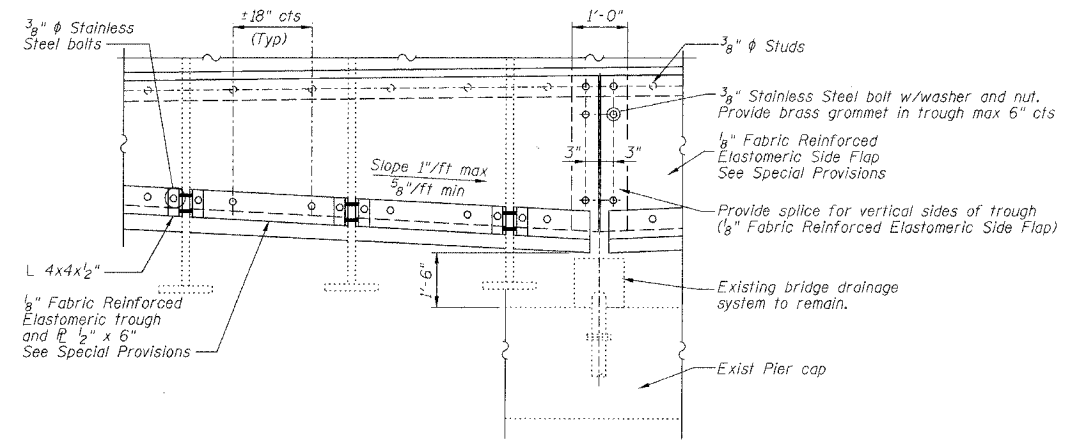
TROUGH SPLICE DETAIL



PIER 1 NORTHBOUND
ELEVATION AT PIER 1 (LOOKING NORTH)



SECTION B-B



TROUGH DETAIL

NOTES
For Section A-A see Sheet 4 of 8.

PIER NO. 1
FINGER PLATE EXPANSION JOINT DETAILS

REVISIONS NO. DATE INITIALS 1 2 3 4 5 6 7 8 9 10		STATE OF ILLINOIS DEPARTMENT OF TRANSPORTATION DIVISION OF HIGHWAYS FAI RTE 90/94 DAN RYAN EXPRESSWAY SN 016-1110 (NORTHBOUND) SEC 2005-008F COOK COUNTY	DRAWN BY DATE RLK 5/03 CHECKED BY DATE SDS 5/03 BOOK NUMBER PROJECT NO. 4222-3 SHEET NO.
---	--	---	---

CHASTAIN & ASSOCIATES
 CONSULTING ENGINEERS
 8000 W. BRYN MAWR AVENUE
 SUITE 204
 CHICAGO, ILLINOIS 60618
 312-734-0888
 FAX 312-734-0885