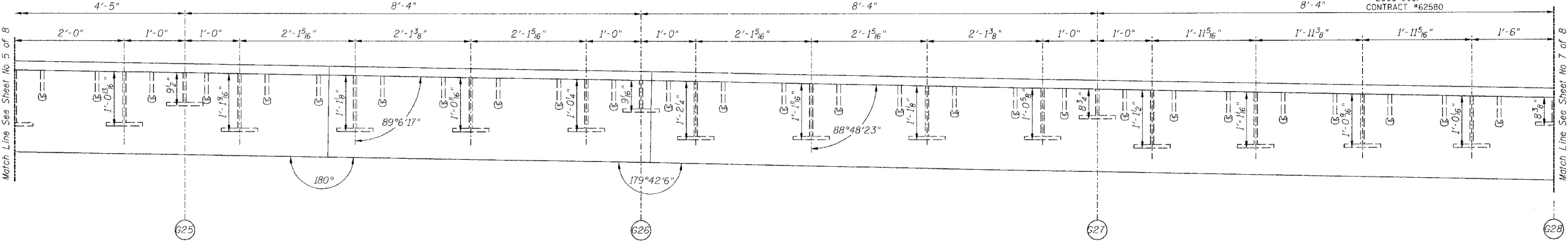


STATE OF ILLINOIS  
DEPARTMENT OF TRANSPORTATION

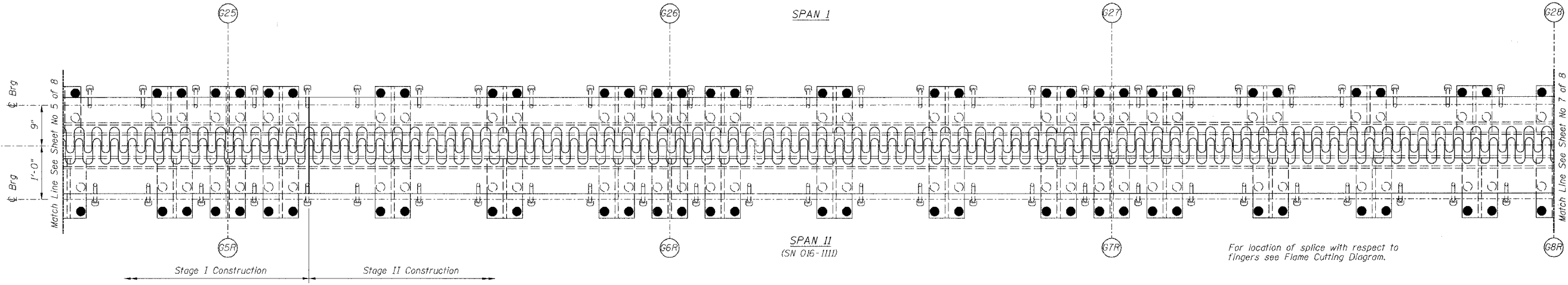
ROUTE NO.	SECTION	COUNTY	TOTAL SHEETS	SHEET NO.
FAI 90/94	*	COOK	419	184
FEDERAL DIST.	ILLINOIS	PROJECT		

Sheet No 6  
of 8 Sheets

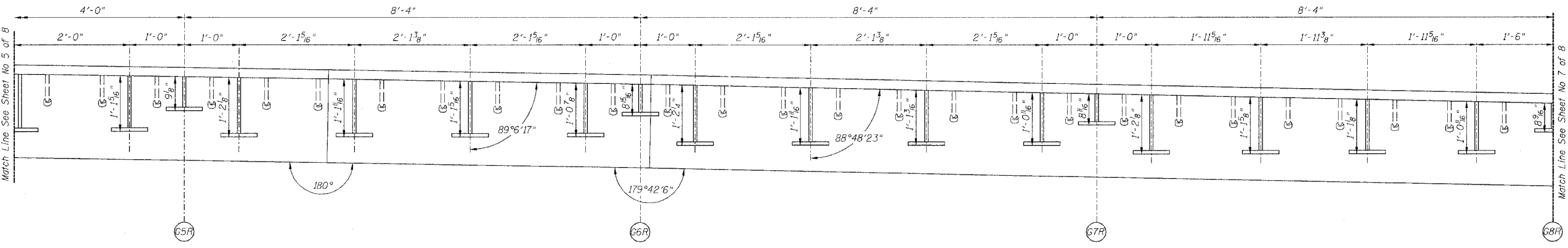
\* 2005-008F  
CONTRACT #62580



SECTION A-A



PLAN OF FINGER PLATE AT PIER 1 (NORTHBOUND)



SECTION B-B

PIER NO. 1

FINGER PLATE PLAN AND ELEVATION DETAILS

REVISIONS		STATE OF ILLINOIS DEPARTMENT OF TRANSPORTATION DIVISION OF HIGHWAYS	DRAWN BY	DATE
1			RLK	5/03
2		FAI RTE 90/94 DAN RYAN EXPRESSWAY SN 016-1110 (NORTHBOUND)	CHECKED BY	DATE
3			SDS	5/03
4		SEC 2005-008F COOK COUNTY	PROJECT NO.	
5			4222-3	
6		HOMER L. CHASTAIN & ASSOCIATES CONSULTING ENGINEERS	SHEET NO.	
7				
8		800 W. DREW MARSH AVENUE SUITE 204 CHICAGO, ILLINOIS 60631 312-714-0000 FAX 312-714-0056		
9				
10				

Note:  
For optional splice detail see  
Flame cutting diagram on Sheet No. 4