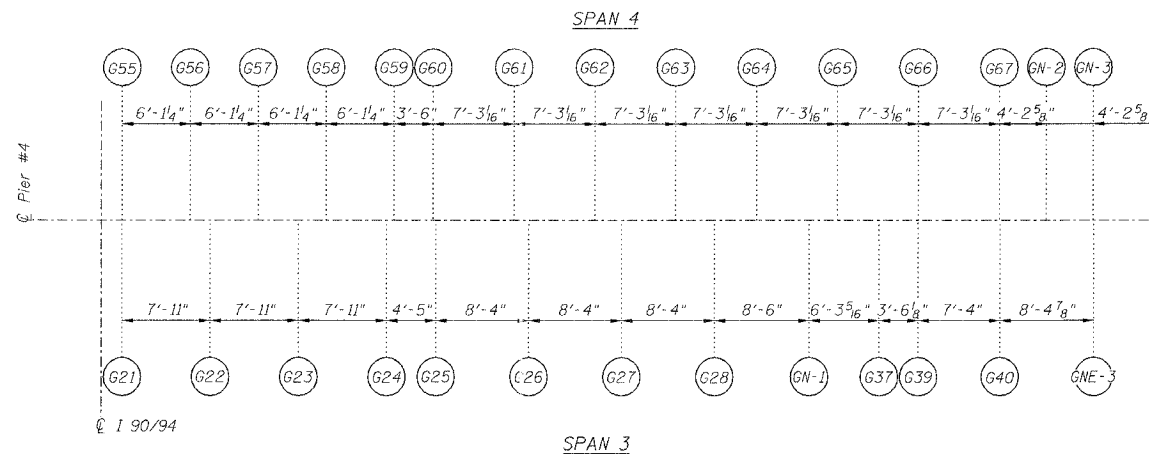
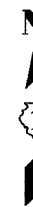


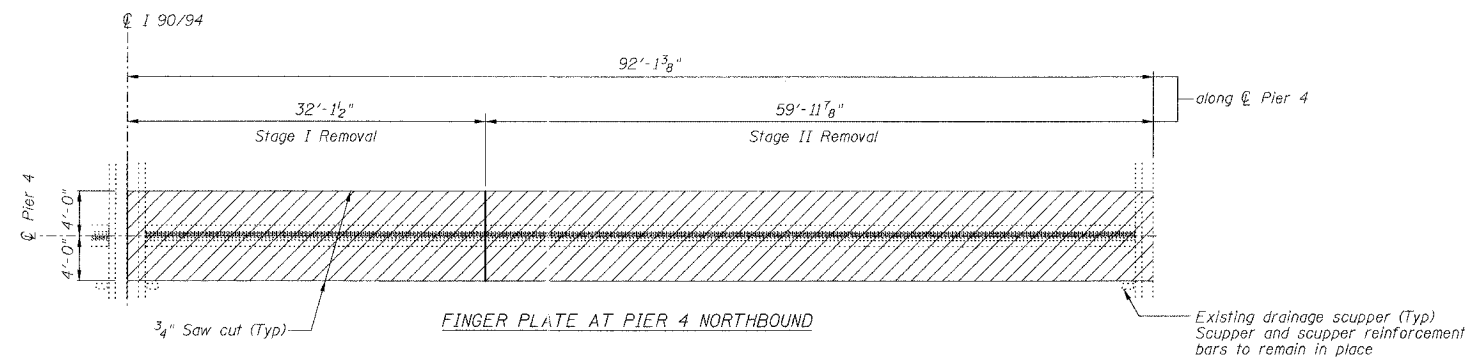
STATE OF ILLINOIS
DEPARTMENT OF TRANSPORTATION

ROUTE NO.	SECTION	COUNTY	TOTAL SHEETS	SHEET NO.
FAI 90/94		COOK	419	188
FEDERAL DISTRICT		ILLINOIS	PROJECT	
CONTRACT #62580				

Sheet No 2
of 8 Sheets

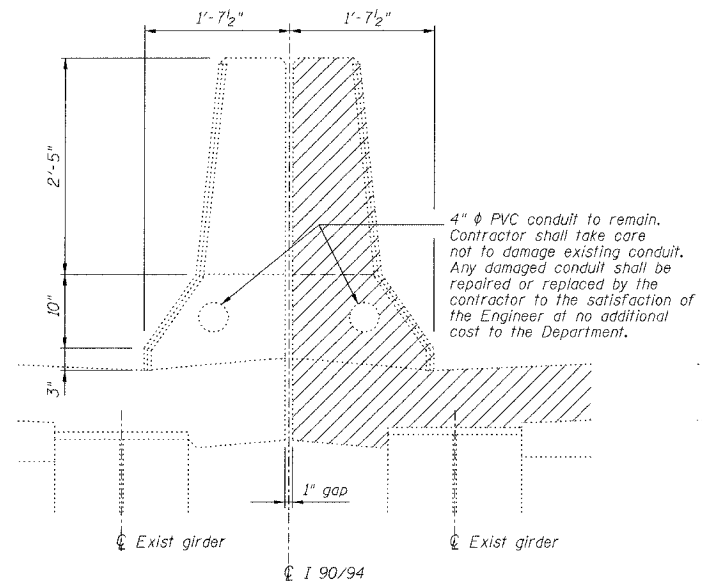


GIRDER LAYOUT AT PIER 4

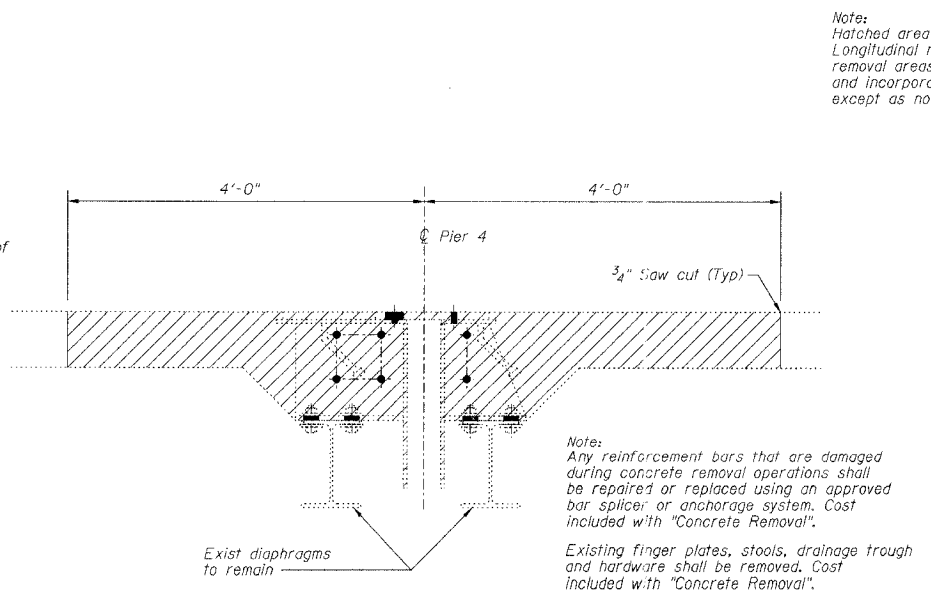


FINGER PLATE AT PIER 4 NORTHBOUND

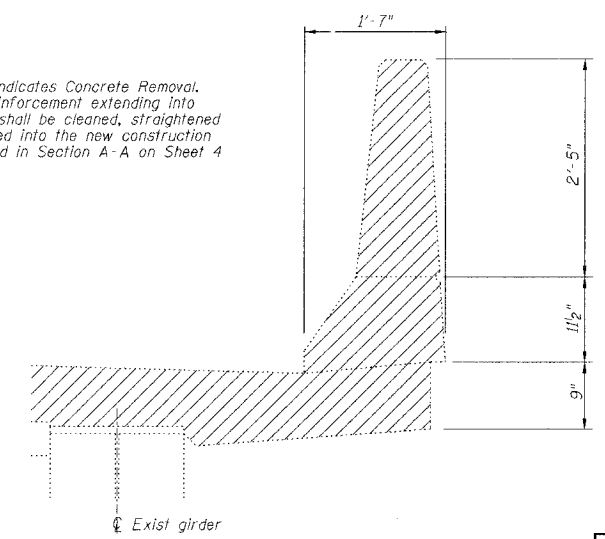
JOINT REMOVAL PLAN AT PIER 4



DETAIL AT EXISTING MEDIAN PARAPET



SECTION AT EXISTING FINGER PLATE AT PIER 4



DETAIL AT EXISTING OUTSIDE PARAPET

PIER NO. 4		FINGER PLATE EXPANSION JOINT REMOVAL DETAILS	
REVISIONS	STATE OF ILLINOIS DEPARTMENT OF TRANSPORTATION DIVISION OF HIGHWAYS	DRAWN BY RLK	DATE 5/03
1		CHECKED BY SDS	DATE 5/03
2		BOOK NUMBER	
3	FAI RTE 90/94	DAN RYAN EXPRESSWAY	PROJECT NO.
4	SN 016-1110 (NORTHBOUND)	COOK COUNTY	4222-3
5	SEC 2005-008F		SHEET NO.
6	HOMER L. CHASTAIN & ASSOCIATES	9000 W. BRYN MAWR AVENUE	
7	CONSULTING ENGINEERS	SUITE 204	
8		CHICAGO, ILLINOIS 60631	
9		312-774-0986	
10		FAX 312-774-0085	