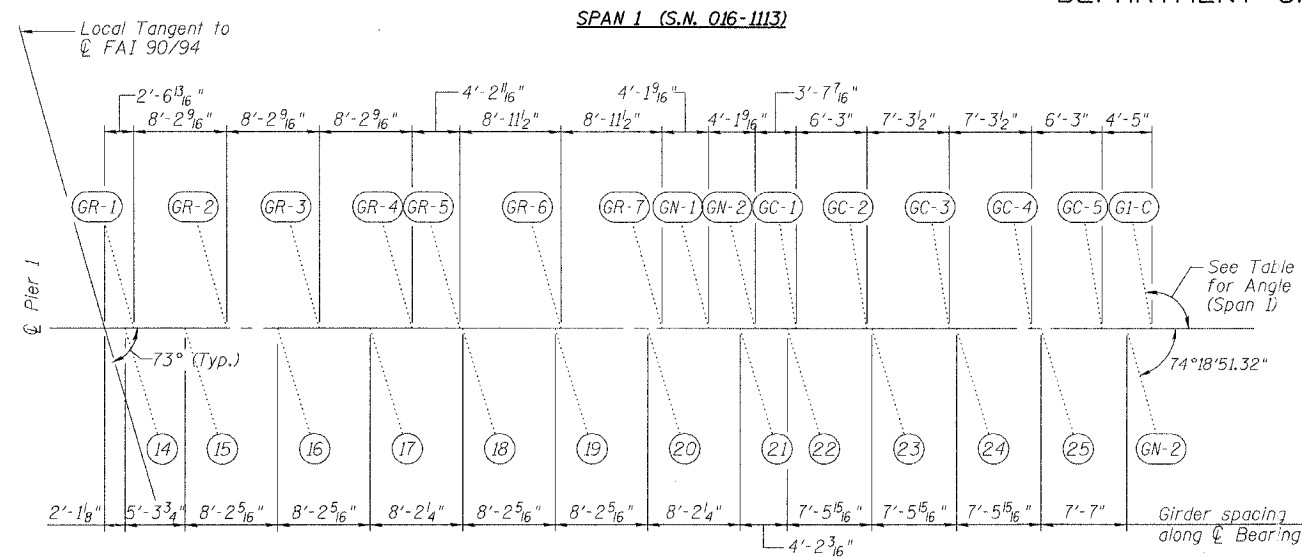


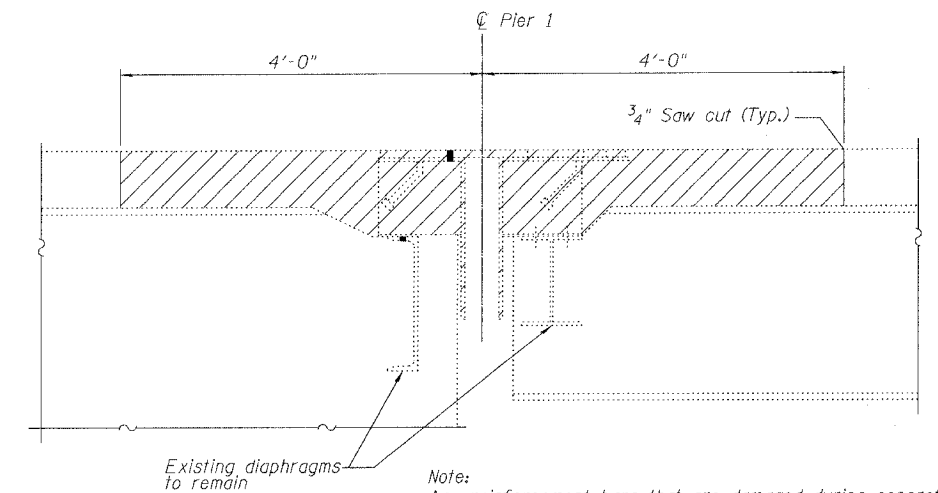
STATE OF ILLINOIS
DEPARTMENT OF TRANSPORTATION

ROUTE NO.	SECTION	COUNTY	SHEET NO.	SHEET NO. 2
FAI 90/94	*	COOK	419	204
FED. ROAD DIST. NO.	ILLINOIS	FED. AID PROJECT-		9 SHEETS

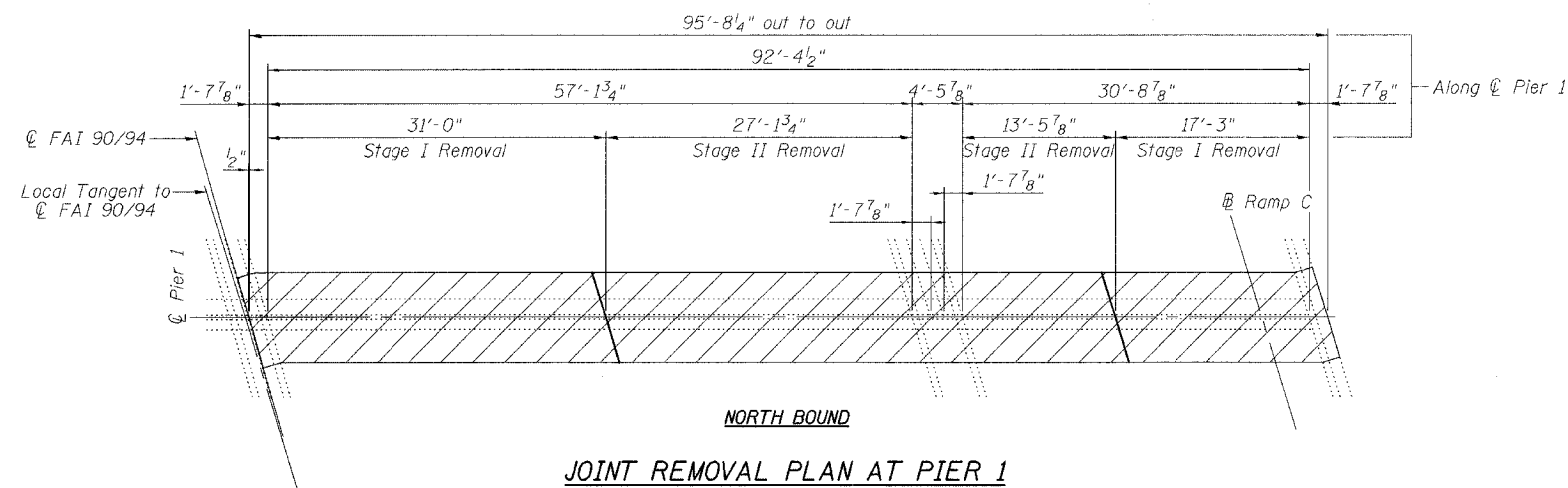
* 2005-008F
Contract #62580



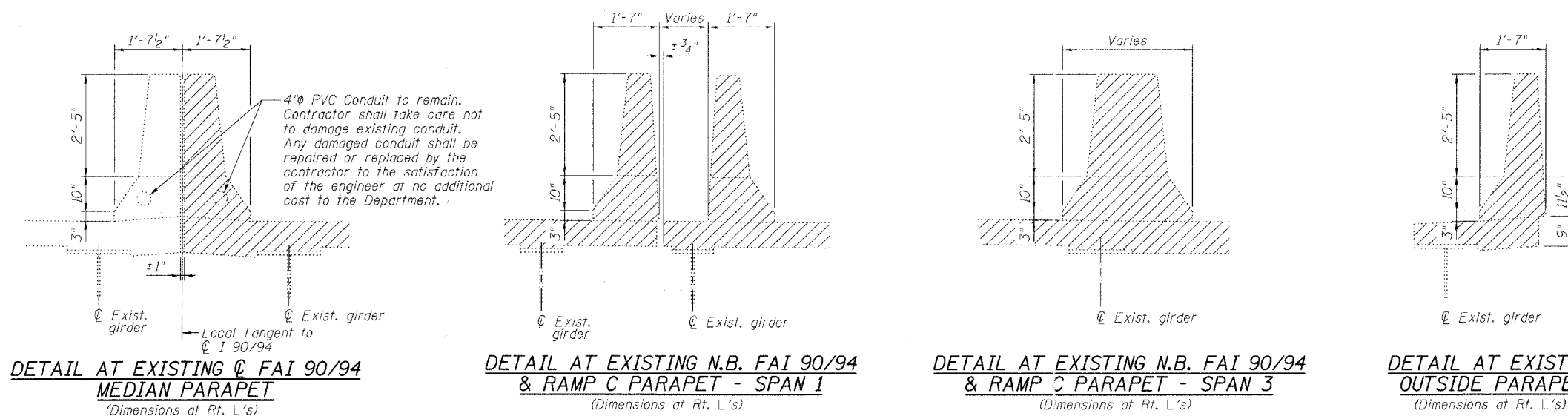
Girder	Angle
GR-1	105°33'08"
GR-2	105°33'09"
GR-3	105°33'09"
GR-4	105°33'09"
GR-5	105°35'13"
GR-6	105°39'27"
GR-7	105°43'31"
GN-1	104°31'37"
GN-2	103°26'38"
GC-1	98°54'18"
GC-2	98°58'51"
GC-3	99°04'13"
GC-4	99°09'41"
GC-5	99°14'25"
G1-C	100°11'18"



SPAN 3 (S.N. 016-1114)
GIRDER LAYOUT AT PIER 1/1A



SECTION AT
EXISTING FINGER PLATE
(Dimensions at Rt. L's)



Notes:
Hatched Area indicates "Concrete Removal".
Existing transverse bars in the deck are placed at right angles to $\text{\textcircled{C}}$ Roadway. Existing transverse bars extending into removal areas shall be cut to miss the new finger joint, cleaned and incorporated into the new construction.
Longitudinal reinforcement extending into removal areas shall be cleaned, straightened and incorporated into the new construction except as noted on Section A-A on Sheet 4.

REVISIONS	
NAME	DATE

ILLINOIS DEPARTMENT OF TRANSPORTATION
**FINGER PLATE EXPANSION JOINT
REMOVAL DETAILS**
F.A.I. ROUTE 90/94 NORTHBOUND (DAN RYAN EXPRESSWAY)
OVER SOUTH BRANCH - CHICAGO RIVER
COOK COUNTY
S.N. 016-1113 - PIER 1

SCALE: VERT. _____
HORIZ. _____
DATE: 3/22/05

DRAWN BY: LANDREY
DESIGNED BY: SANFORD
CHECKED BY: _____

COMPUTER FILE NO.
04286-W01-NB-REM
PROJECT 04286-W01
8/3/05-MML

GREENR & BRADFORD, INC.
OF SPRINGFIELD
CONSULTING ENGINEERS
INCORPORATED
1001 N. WASHINGTON ST., SUITE 200
SPRINGFIELD, ILLINOIS 62761-1000
TEL: 217-223-1111 FAX: 217-223-1112

FILE NAME = \$FILE\$
PLOT SCALE = \$PLOTSCALE\$
PLOT DATE = 8/3/2005
PLOT TIME = 10:00 AM
OPERATOR = michellel