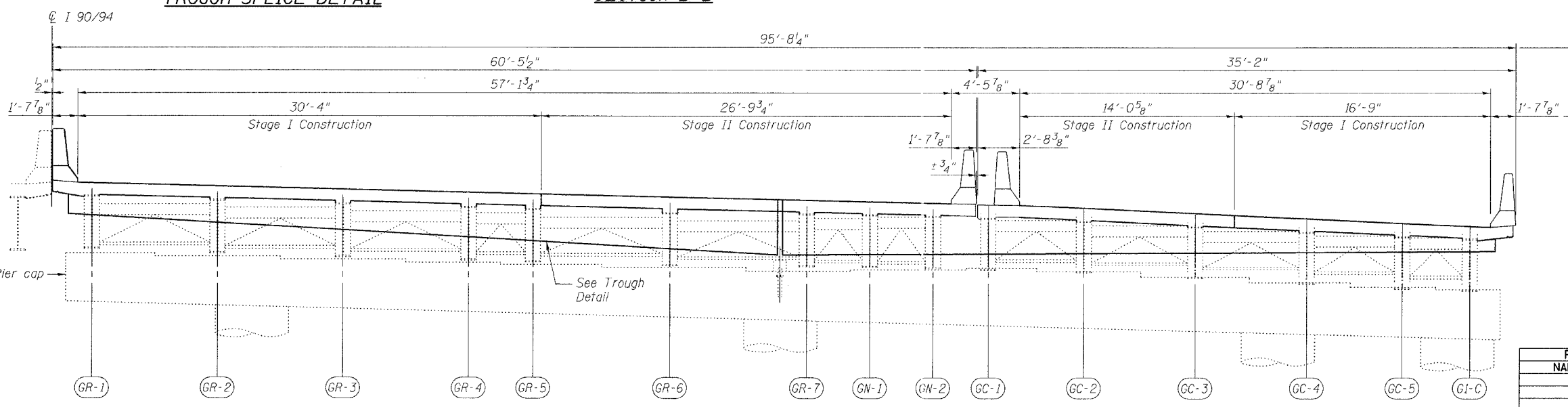
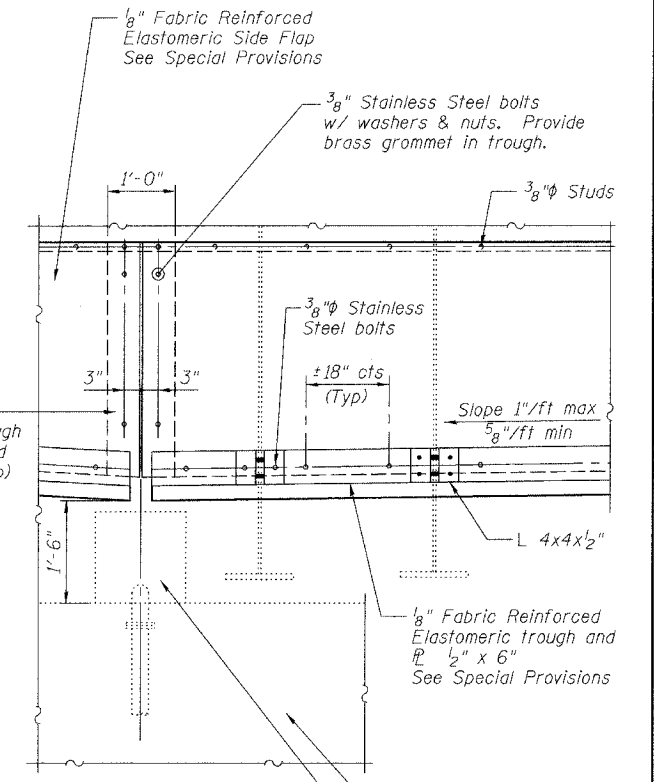
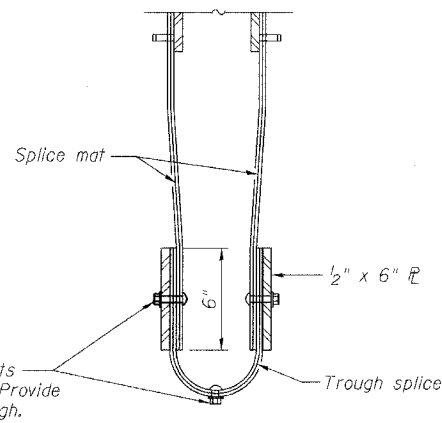
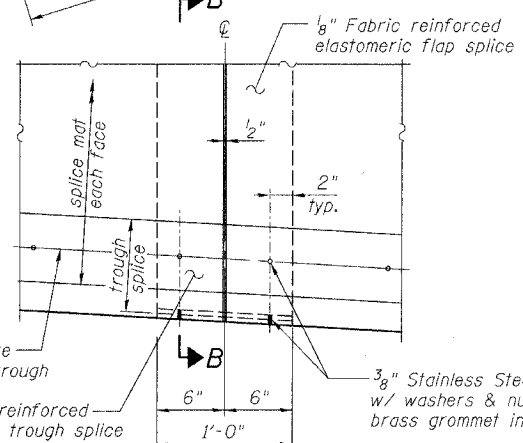
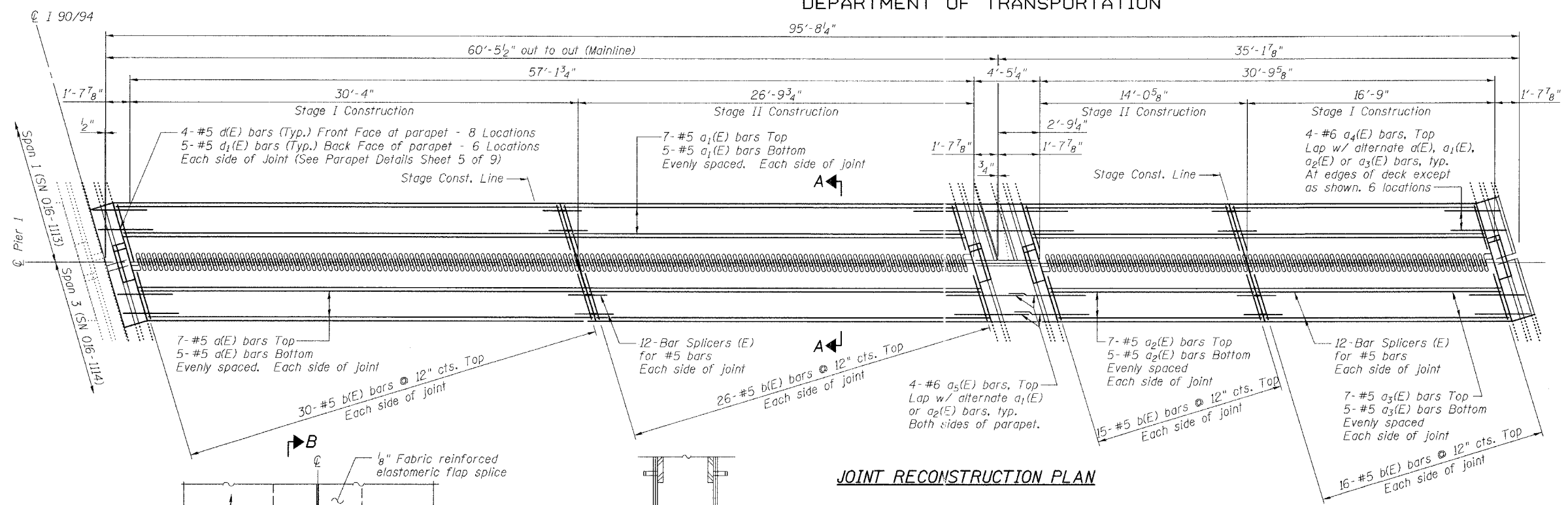


STATE OF ILLINOIS
DEPARTMENT OF TRANSPORTATION

ROUTE NO.	SECTION	COUNTY	TOTAL SHEETS	SHEET NO.	SHEET NO. 3 9 SHEETS
FAI 90/94	*	COOK	419	205	
FED. ROAD DIST. NO.		ILLINOIS	FED. AID PROJECT		
2005-008F		Contract #62580			



- Notes:
- For Parapet Details and Superstructure Bill of Material, see Sheet 5 of 9.
 - For Section A-A, see Sheet 4 of 9.

REVISIONS	
NAME	DATE

ILLINOIS DEPARTMENT OF TRANSPORTATION
PIER 1 JOINT DETAILS

F.A.I. ROUTE 90/94 NORTHBOUND (DAN RYAN EXPRESSWAY)
OVER SOUTH BRANCH - CHICAGO RIVER
COOK COUNTY
S.N. 016-1113 - PIER 1

SCALE: VERT. _____
HORIZ. _____
DATE: 3/22/05

DRAWN BY: LANDREY
DESIGNED BY: SANFORD
CHECKED BY: _____

GREENE & BRADFORD, INC.
OF SPRINGFIELD

COMPUTER FILE NO.
04286-W01-NB-PJ1
PROJECT 04286-W01
8/3/05-MML

FILE NAME = \$FILES\$
PLOT SCALE = \$PLOTS\$
PLOT DATE = 8/3/2005 10:48:11 AM
OPERATOR = \$USER\$