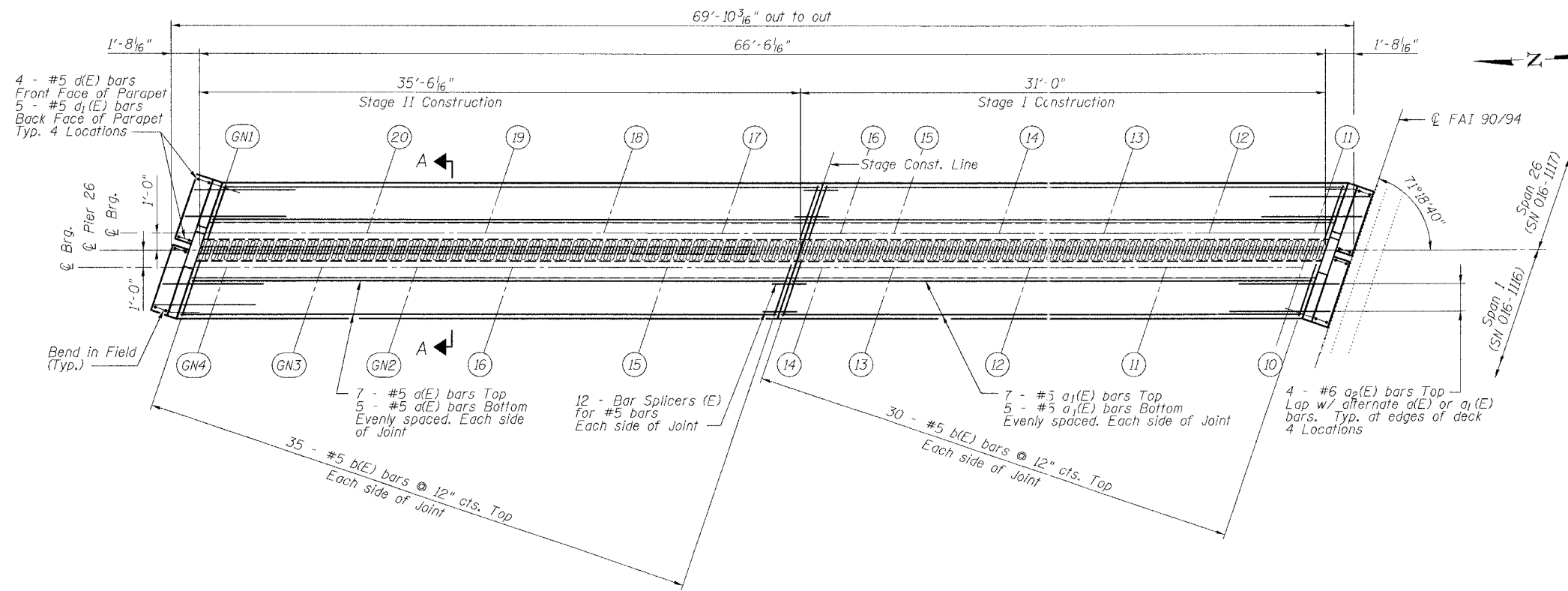


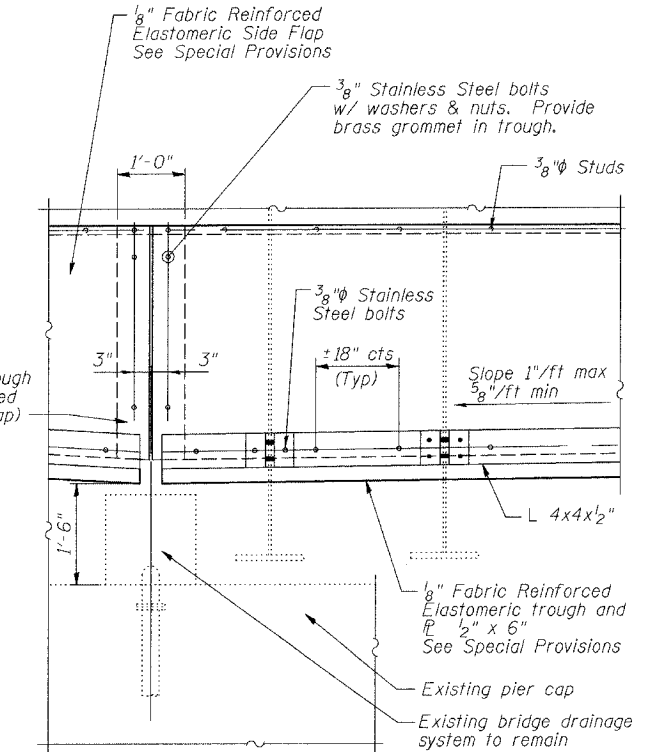
STATE OF ILLINOIS  
DEPARTMENT OF TRANSPORTATION

ROUTE NO.	SECTION	COUNTY	TOTAL SHEETS	SHEET NO.	SHEET NO. 3
FAI 90/94	*	COOK	419	214	8 SHEETS
FED. ROAD DIST. NO.	ILLINOIS	FED. AID PROJECT			

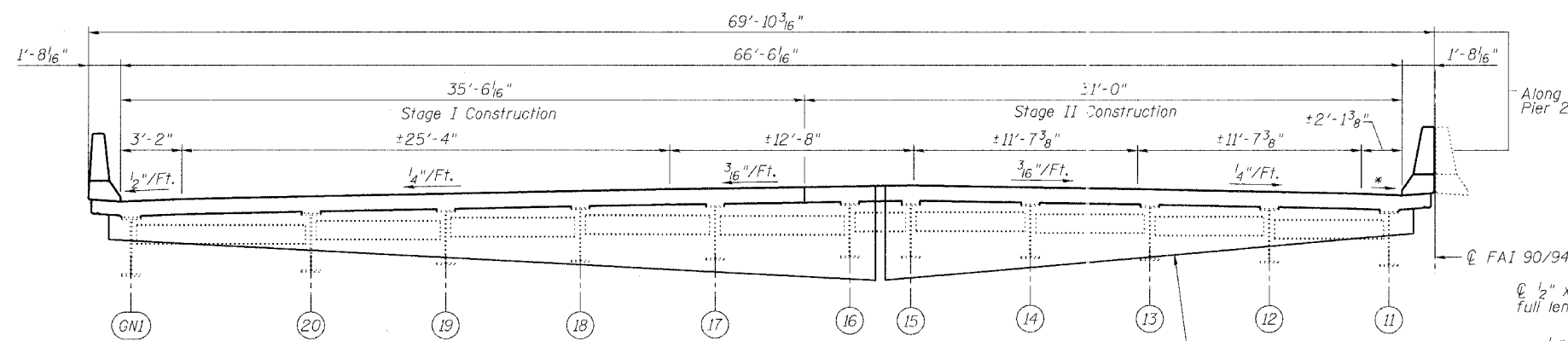
\* 2005 - 00BF  
Contract #62580



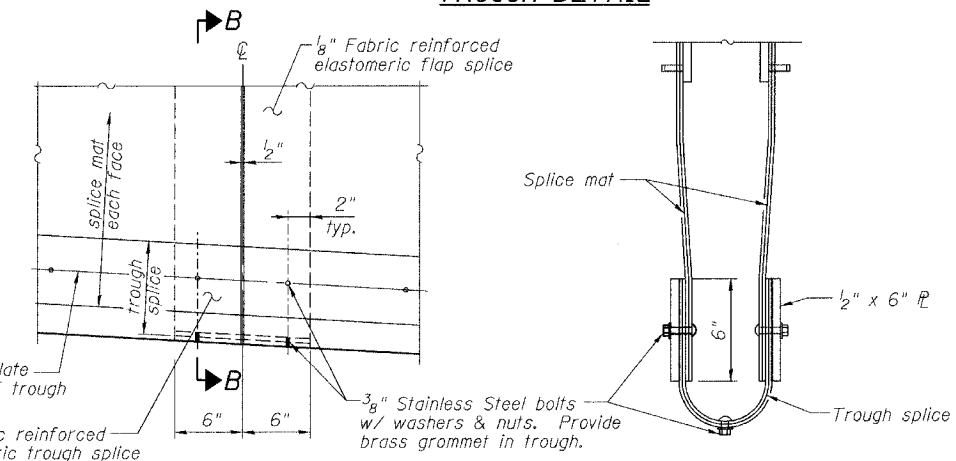
JOINT RECONSTRUCTION PLAN



TROUGH DETAIL



ELEVATION (LOOKING EAST)  
(Showing Span 26 Configuration)



TROUGH SPLICE DETAIL

SECTION B-B

Notes:

1. For Parapet Details and Superstructure Bill of Material, see Sheet 5 of 8.
2. For Section A-A, see Sheet 4 of 8.
3. Deck cross slopes shown are at right angles to  $\text{CL}$  Rdwy.

REVISIONS	
NAME	DATE

ILLINOIS DEPARTMENT OF TRANSPORTATION  
**PIER 26 JOINT DETAILS**  
F.A.I. ROUTE 90/94 NORTHBOUND (DAN RYAN EXPRESSWAY)  
OVER 28th ST. TO S. STEWART ST.  
COOK COUNTY  
S.N. 016-1117 - PIER 26

VERT. SCALE: HORIZ.  
DATE: 2/17/05  
DRAWN BY: HEBERLING  
DESIGNED BY: SANFORD  
CHECKED BY:  
COMPUTER FILE NO.  
04286-W03-PJ1  
PROJECT 04286-W03  
8/3/05-MML



FILE NAME = \$FILE\$  
PLOT SCALE = \$PLOTSCALE\$  
PLOT DATE = 8/3/2005  
PLOT TIME = 9:45:49 AM  
OPERATOR = MICHELLE