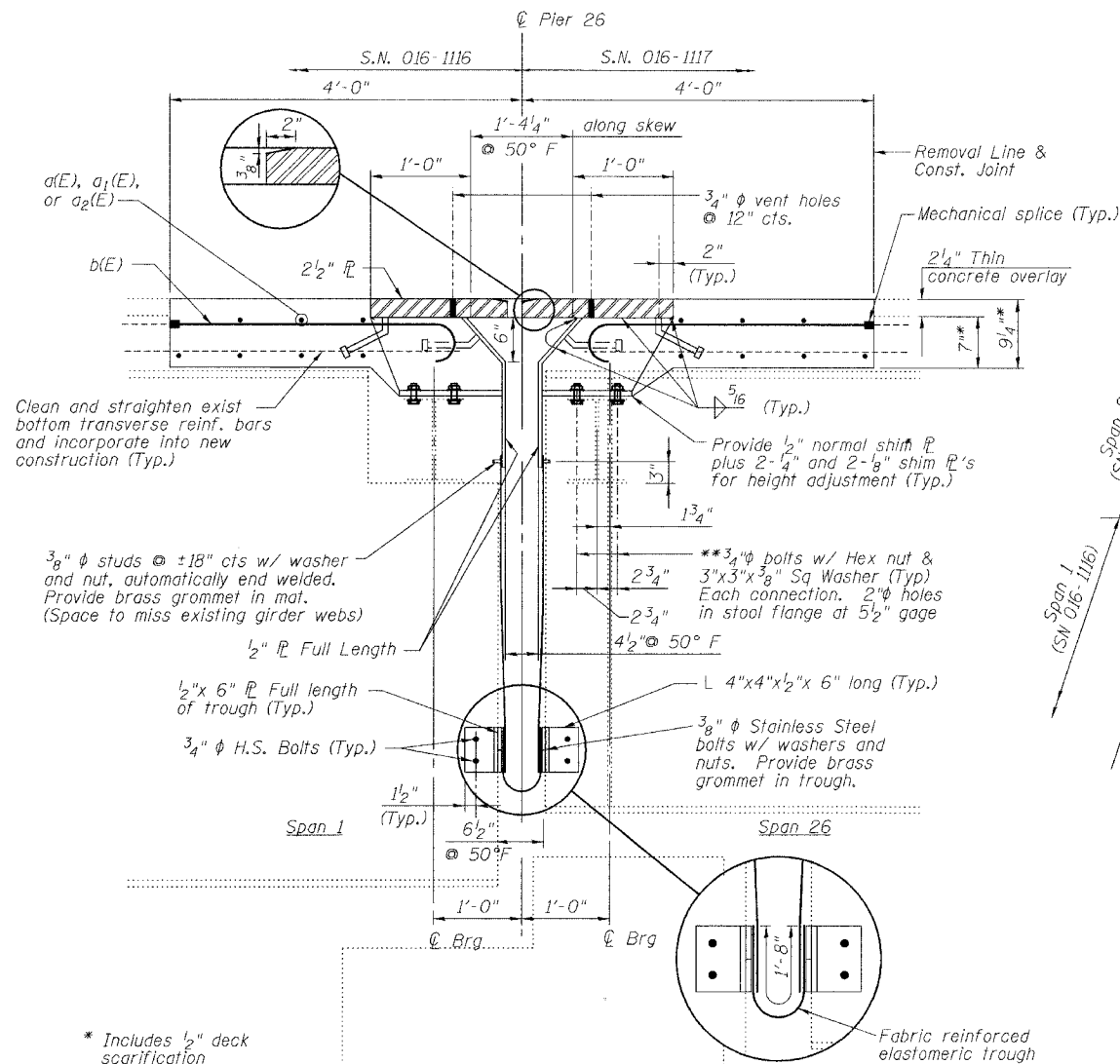


STATE OF ILLINOIS
DEPARTMENT OF TRANSPORTATION

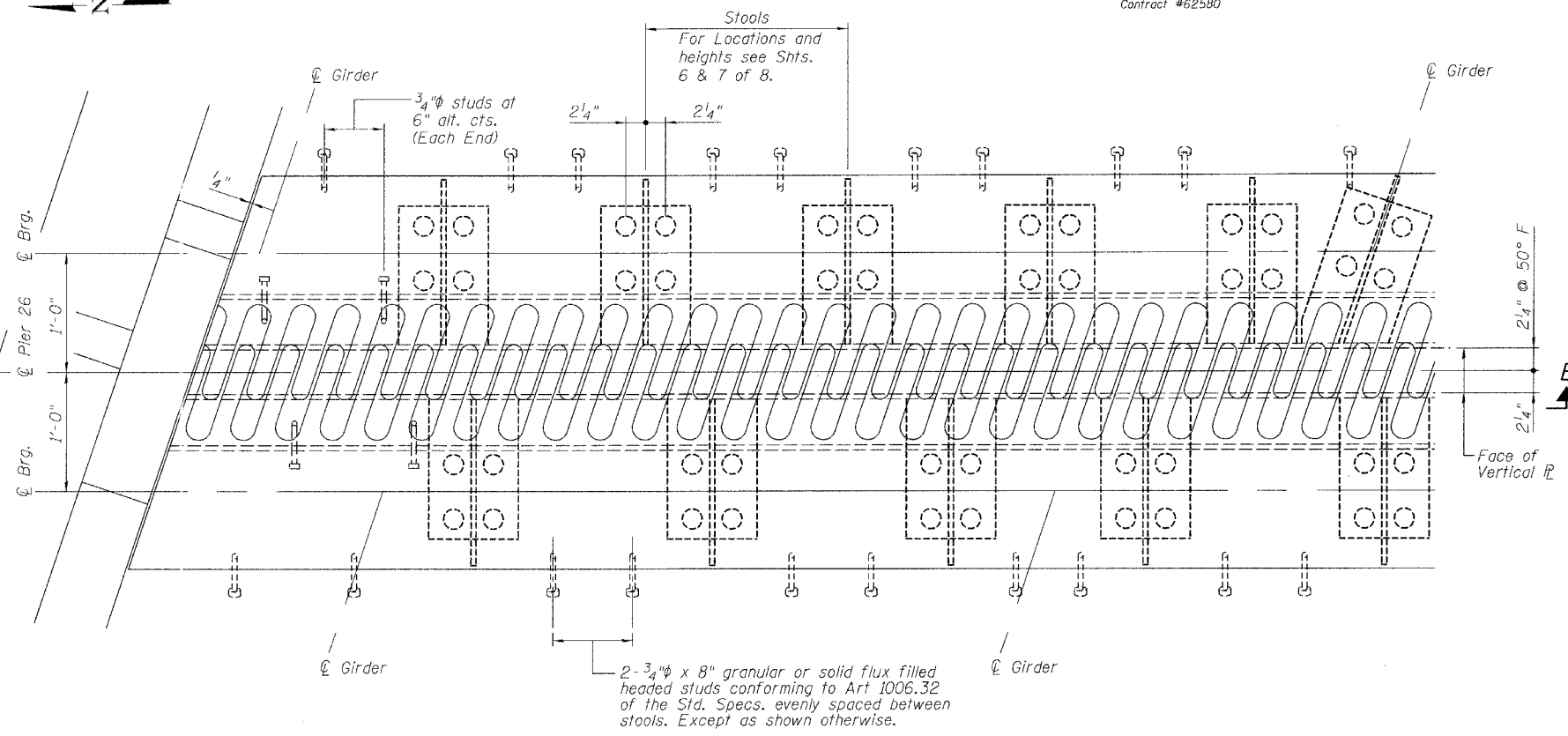
ROUTE NO.	SECTION	COUNTY	TOTAL SHEETS	SHEET NO.	SHEET NO. 4 8 SHEETS
FA1 90/94	#	COOK	419	215	
FED. ROAD DIST. NO.	ILLINOIS	FED. AID PROJECT			

* 2005 - 008F
Contract #62580



* Includes 1/2" deck scarification
** Field drill 1 3/16" diameter holes in existing girder top flanges using holes in new stools as a template. (Span 26 - S.N. 016-1117 Only) Cost included in "Erecting Structural Steel."

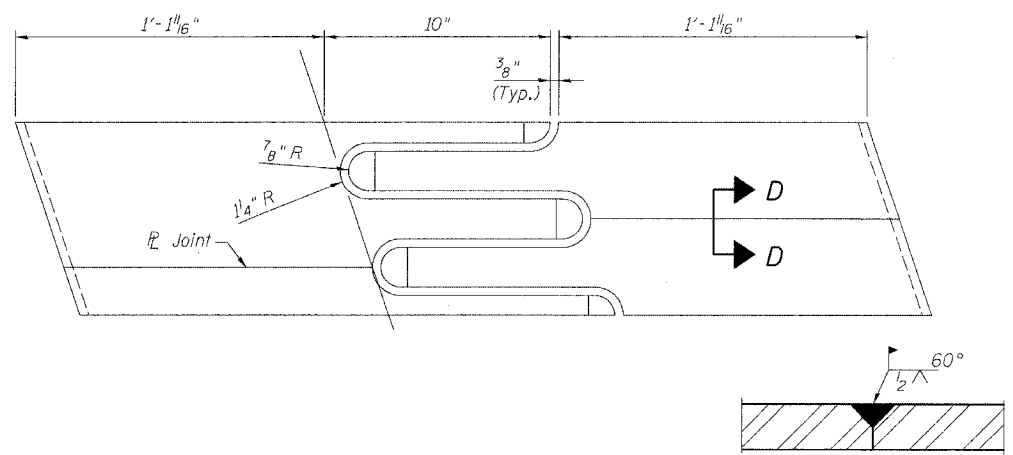
SECTION A-A



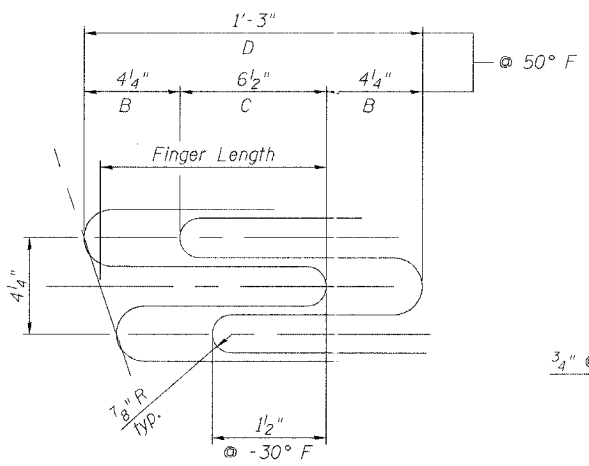
PLAN

NOTES

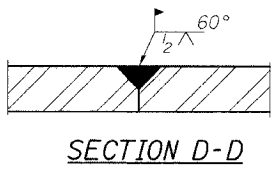
- The Contractor shall bolt the Stools of the Fingerplate Joint Assembly to the top of existing girders on the Span 26 side only, as shown.
- Stainless steel bolts, washers and nuts shall meet the requirements of ASTM A193.
- The installation of all necessary hardware, stainless steel bolts, studs and washers, plates and angles shall be included with "Erecting Structural Steel".
- For Section B-B, see Sheet 5 of 8.



FLAME CUTTING DIAGRAM
(Proposed Finger Plate - Cut from 2 1/2" x 2'-11 3/4" PL)



FINGER DETAIL
Finger Length = 10"
Weld Length = 12"
Weld Size = 5/16"
Expansion Length = 567.1'



SECTION D-D

REVISIONS	
NAME	DATE

ILLINOIS DEPARTMENT OF TRANSPORTATION
PIER 26 JOINT DETAILS
F.A.I. ROUTE 90/94 NORTHBOUND (DAN RYAN EXPRESSWAY)
OVER 28th ST. TO S. STEWART ST.
COOK COUNTY
S.N. 016-1117 - PIER 26

SCALE: VERT. 1" = 4'-0"
HORIZ. 1" = 10'-0"
DATE: 2/17/05

DRAWN BY: HEBERLING
DESIGNED BY: SANFORD
CHECKED BY: -

GREENE & BRADFORD, INC.
OF SPRINGFIELD
CONSULTING ENGINEERS
PROFESSIONAL ENGINEERS
PROFESSIONAL ARCHITECTS
PROFESSIONAL LANDSCAPE ARCHITECTS
PROFESSIONAL SURVEYORS
PROFESSIONAL CIVIL ENGINEERS
PROFESSIONAL ELECTRICAL ENGINEERS
PROFESSIONAL MECHANICAL ENGINEERS
PROFESSIONAL CHEMICAL ENGINEERS
PROFESSIONAL INDUSTRIAL ENGINEERS
PROFESSIONAL METALLURGICAL ENGINEERS
PROFESSIONAL NUCLEAR ENGINEERS
PROFESSIONAL PETROLEUM ENGINEERS
PROFESSIONAL AERONAUTICAL ENGINEERS
PROFESSIONAL AGRICULTURAL ENGINEERS
PROFESSIONAL MARINE ENGINEERS
PROFESSIONAL MINING ENGINEERS
PROFESSIONAL METALS ENGINEERS
PROFESSIONAL POLYMER ENGINEERS
PROFESSIONAL RAILROAD ENGINEERS
PROFESSIONAL TRANSPORTATION ENGINEERS
PROFESSIONAL WATERSUPPLY ENGINEERS
PROFESSIONAL WASTE ENGINEERS
PROFESSIONAL WEAPONS ENGINEERS
PROFESSIONAL AERONAUTICAL ENGINEERS
PROFESSIONAL AGRICULTURAL ENGINEERS
PROFESSIONAL MARINE ENGINEERS
PROFESSIONAL MINING ENGINEERS
PROFESSIONAL METALS ENGINEERS
PROFESSIONAL POLYMER ENGINEERS
PROFESSIONAL RAILROAD ENGINEERS
PROFESSIONAL TRANSPORTATION ENGINEERS
PROFESSIONAL WATERSUPPLY ENGINEERS
PROFESSIONAL WASTE ENGINEERS
PROFESSIONAL WEAPONS ENGINEERS

COMPUTER FILE NO.
04286-W03-FPJ
PROJECT 04286-W03
8/3/05-MML

FILE NAME = \$FILES\$
PLOT SCALE = \$PLOTSCALE\$
PLOT DATE = 8/3/2005
PLOT TIME = 9:46:20 AM
OPERATOR = michellel