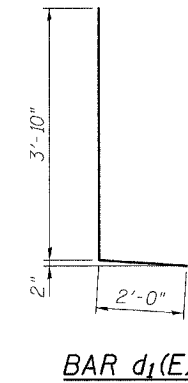
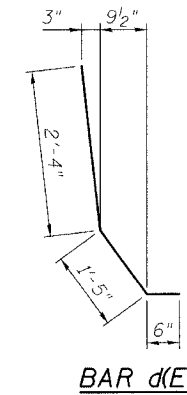
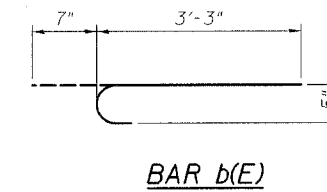
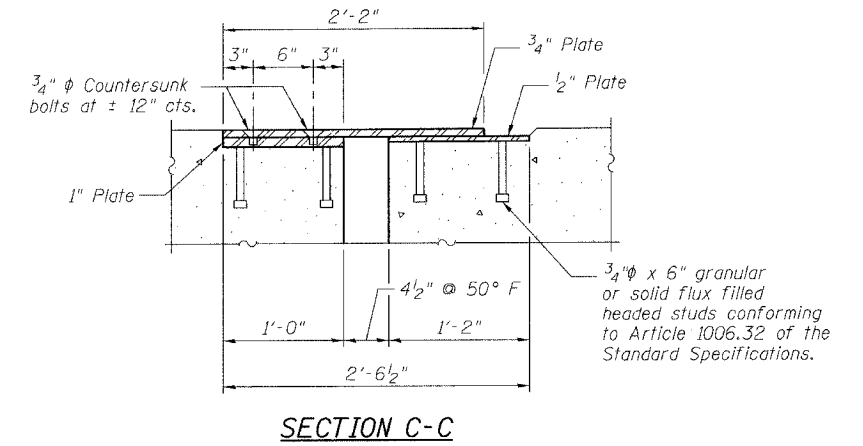
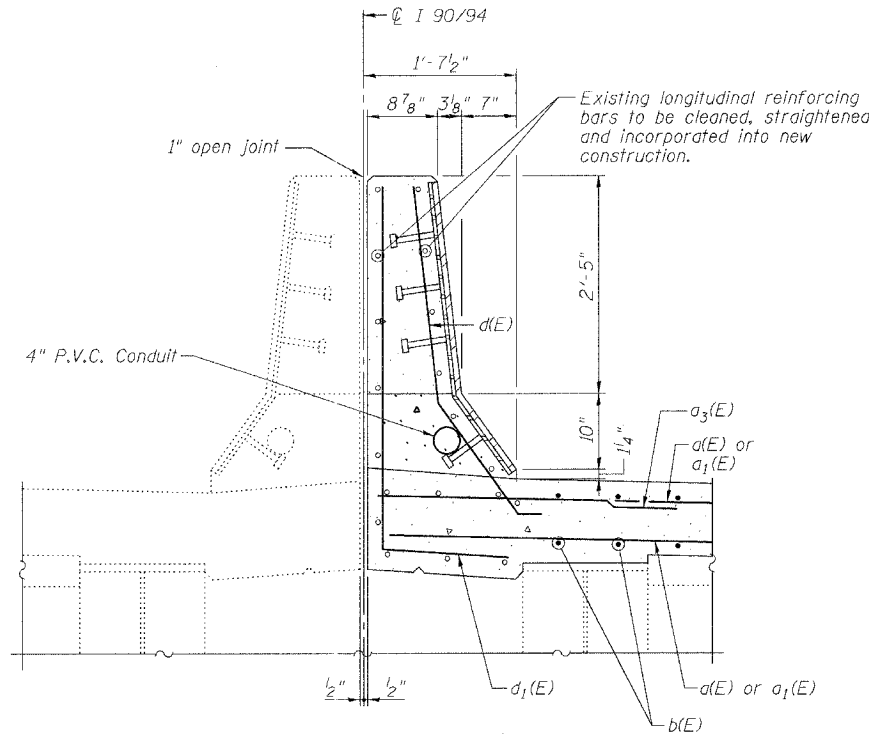
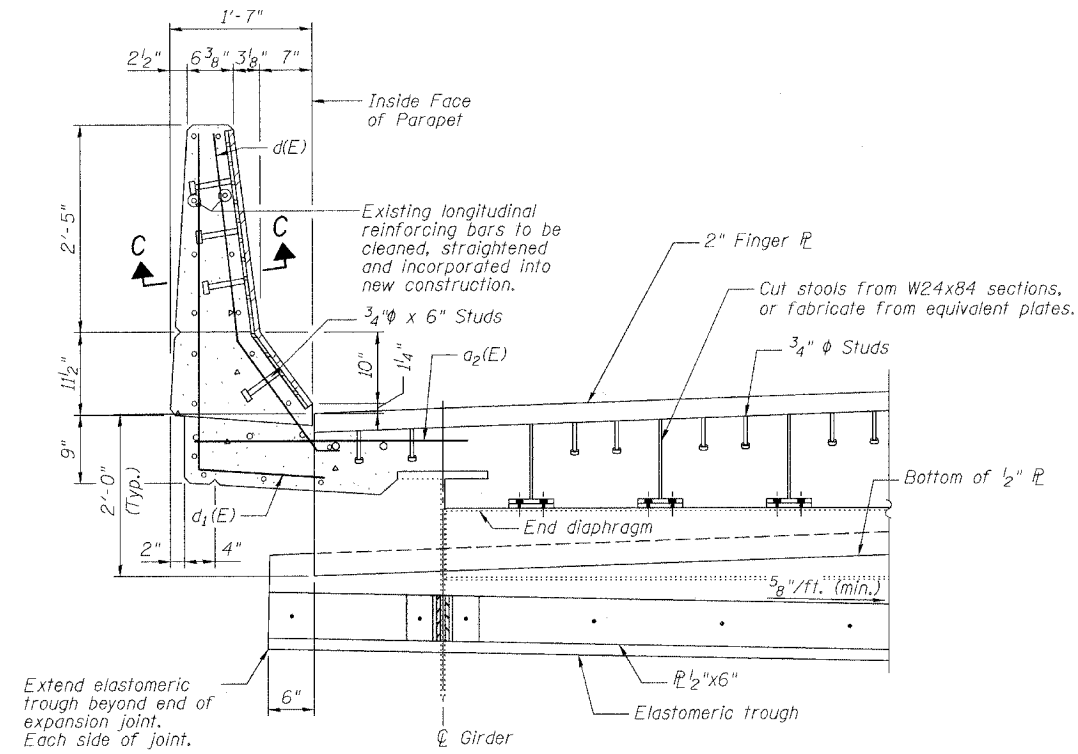


STATE OF ILLINOIS  
DEPARTMENT OF TRANSPORTATION

ROUTE NO. FAI 90/94	SECTION *	COUNTY COOK	JOB NO. 419	SHEET NO. 216	SHEET NO. 5 8 SHEETS
FED. ROAD DIST. NO.	ILLINOIS	FED. AID PROJECT	* 2005 - 008F Contract #62580		



BILL OF MATERIAL

Bar	No.	Size	Length	Shape
a(E)	24	#5	34'-10"	—
a1(E)	24	#5	32'-4"	—
a2(E)	16	#6	4'-6"	—
b(E)	130	#5	3'-10"	┌
d(E)	16	#5	4'-3"	┌
d1(E)	20	#5	5'-10"	┌
Reinforcement Bars, Epoxy Coated		Pound	2500	
Concrete Superstructure		Cu. Yd.	18.3	
Concrete Removal		Cu. Yd.	15.3	
Bar Splicers		Each	24	
Mechanical Splice		Each	130	

Reinforcing bars designated (E) shall be epoxy coated.  
Bars indicated thus 1x2- #5 etc. indicates 1 line of bars with 2 lengths per line.

ILLINOIS DEPARTMENT OF TRANSPORTATION  
**PARAPET DETAILS**  
F.A.I. ROUTE 90/94 NORTHBOUND (DAN RYAN EXPRESSWAY)  
OVER 28th ST. TO S. STEWART ST.  
COOK COUNTY  
S.N. 016-1117 - PIER 26

REVISIONS	
NAME	DATE

SCALE: VERT. HORIZ.  
DATE: 2/17/05  
DRAWN BY: HEBERLING  
DESIGNED BY: SANFORD  
CHECKED BY: -  
GREENE & BRADFORD, INC.  
OF SPRINGFIELD  
REGISTERED PROFESSIONAL ENGINEERS  
COMPUTER FILE NO.  
04286-W03-PD  
PROJECT 04286-W03  
8/3/05-MML