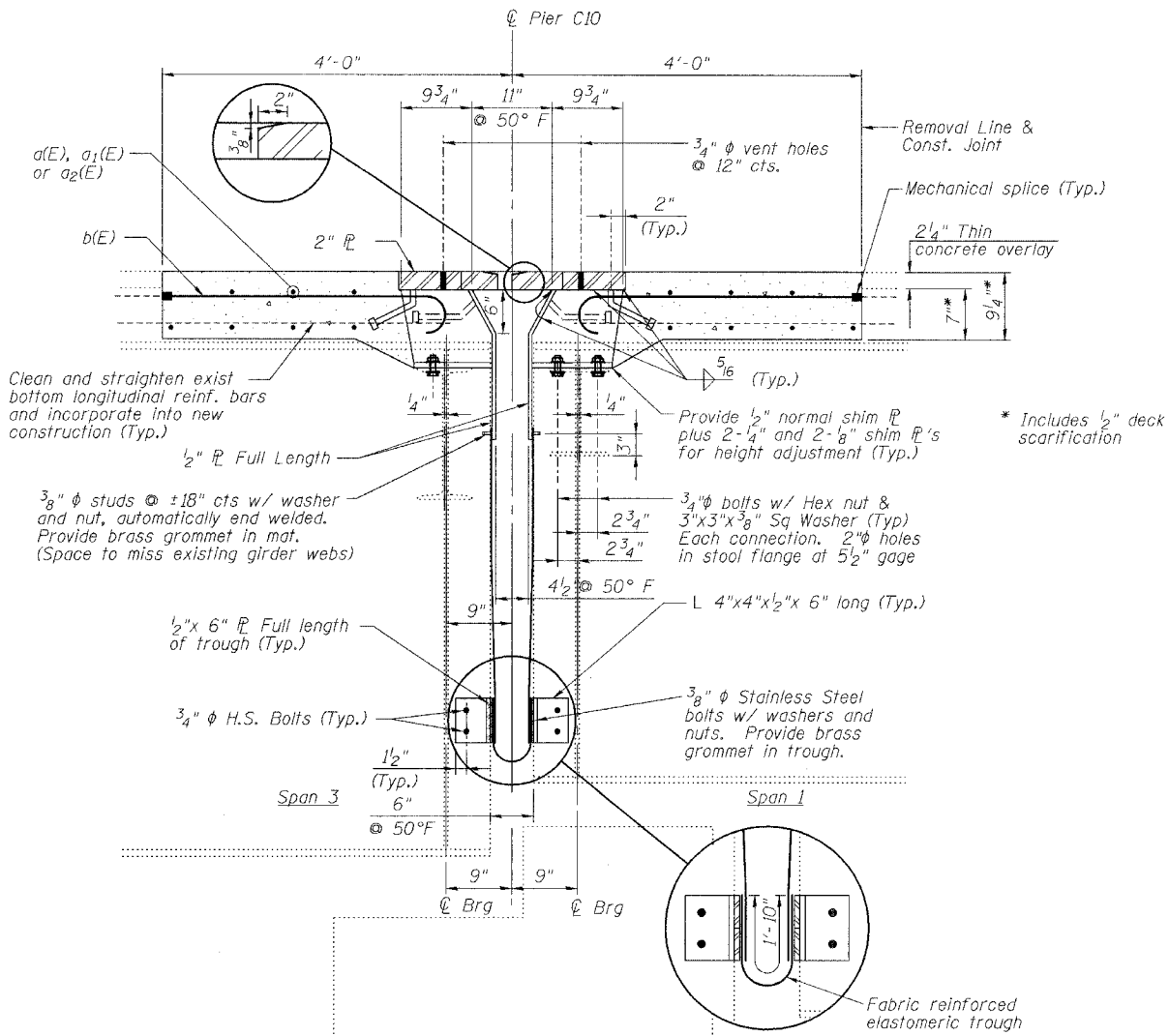


STATE OF ILLINOIS
DEPARTMENT OF TRANSPORTATION

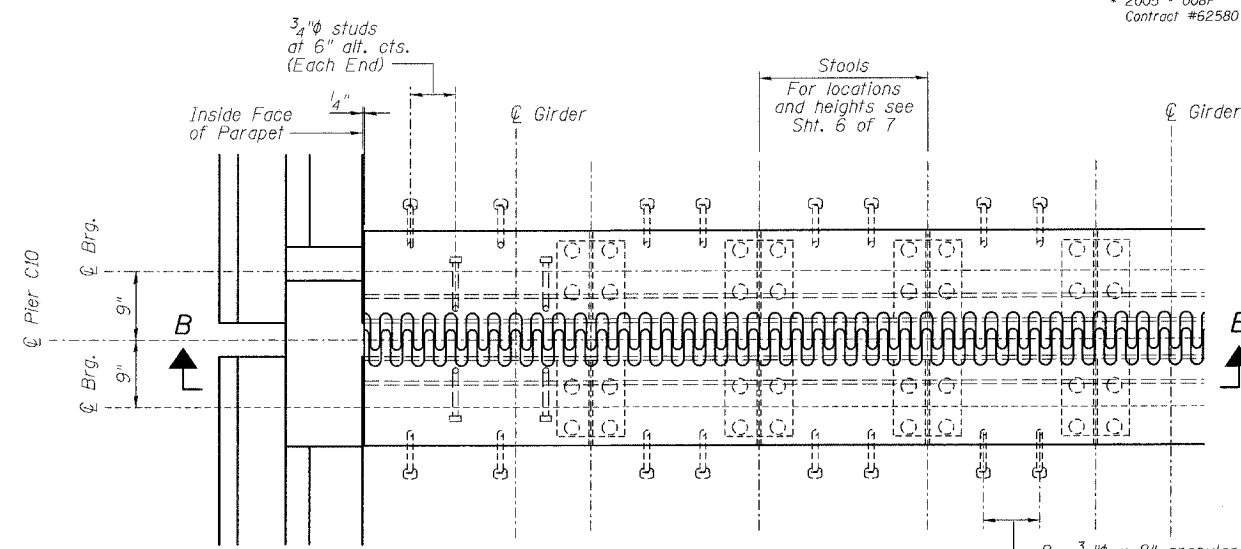
ROUTE NO.	SECTION	COUNTY	TOTAL SHEETS	SHEET NO.
FA1 90/94	*	COOK	419	283
FED. ROAD DIST. NO.	ILLINOIS	FED-AID PROJECT		

SHEET NO. 4
8 SHEETS

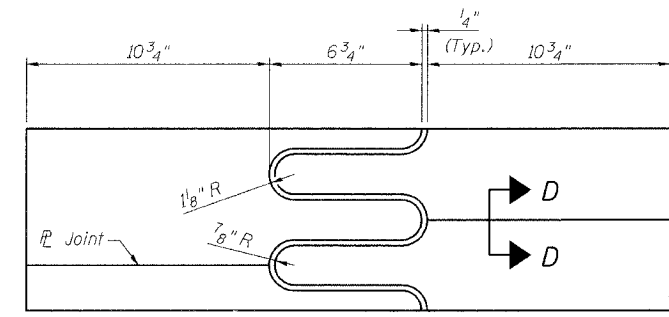
* 2005 - 008F
Contract #62580



SECTION A-A

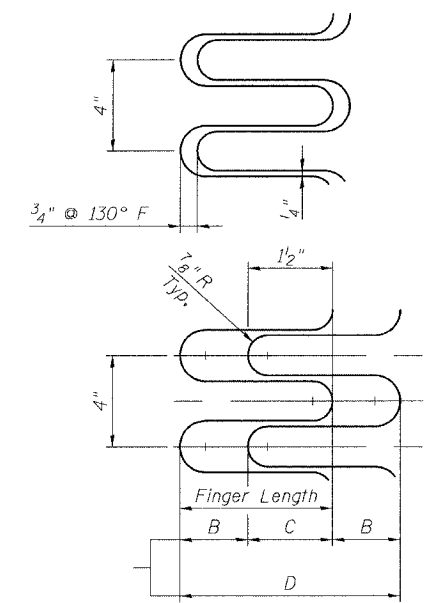


PLAN



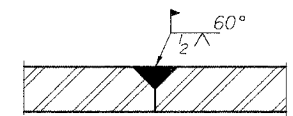
FLAME CUTTING DIAGRAM

(Proposed Finger R - Cut from 2" x 2'-4 1/2" R)



FINGER DETAIL

Finger Length = 6 3/4"
Weld Length = 9 3/4"
Weld Size = 5/16"
Expansion length = 333.5'



SECTION D-D

NOTES

1. Stainless steel bolts, washers and nuts shall meet the requirements of ASTM A193.
2. The installation of all necessary hardware, stainless steel bolts, studs and washers, plates and angles shall be included with "Erecting Structural Steel".
3. For Section B-B, see Sheet 5 of 9.

REVISIONS	
NAME	DATE

ILLINOIS DEPARTMENT OF TRANSPORTATION
PIER C10 JOINT DETAILS
F.A.I. ROUTE 90/94 NORTHBOUND (DAN RYAN EXPRESSWAY)
OVER SOUTH BRANCH - CHICAGO RIVER
COOK COUNTY
S.N. 016-1113 - PIER C10

SCALE: VERT. HORIZ. DATE: 2/17/05

DRAWN BY: HEBERLING
DESIGNED BY: SANFORD
CHECKED BY: -

GREENE & BRADFORD, INC.
OF SPRINGFIELD
CONSULTING ENGINEERS
AND ARCHITECTS
PROFESSIONAL SEAL, LICENSE NO. 00978
ILLINOIS PROFESSIONAL ENGINEERING BOARD
0011 121 0841 0211 731-6277 FAX 731-6277-1000

COMPUTER FILE NO.
04286-W04-FPJ
PROJECT 04286-W04
8/3/05-MML

FILE NAME = \$FILES\$
PLOT SCALE = \$PLOTSCALE\$
PLOT DATE = 8/3/2005
PLOT TIME = 9:46:57 AM
OPERATOR = michellel