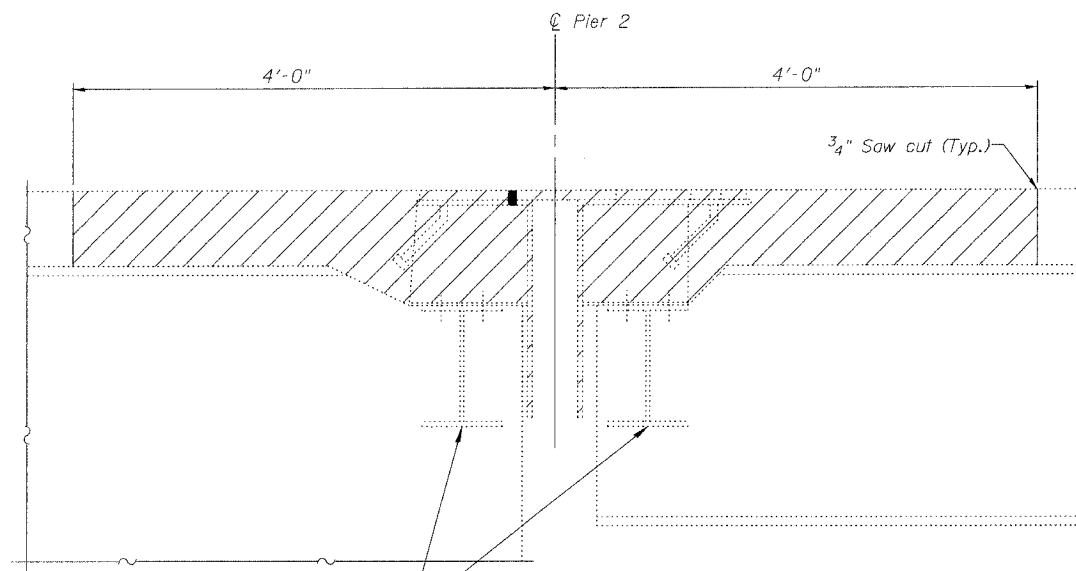
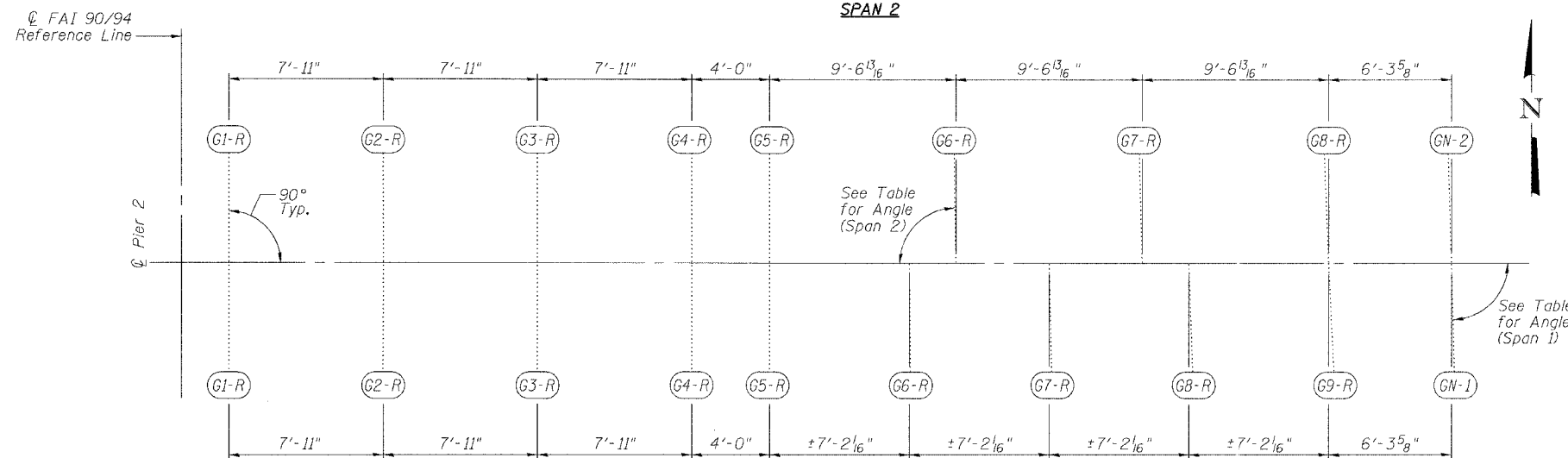


STATE OF ILLINOIS
DEPARTMENT OF TRANSPORTATION

ROUTE NO.	SECTION	COUNTY	INVENTORY SHEETS	SHEET NO.	SHEET NO. 2 8 SHEETS
FAI 90/94	*	COOK	419	229	
FED. ROAD DIST. NO.	ILLINOIS	FED. AID PROJECT			
* 2005-008F Contract #62580					

Girder	Angle	
	Span 1	Span 2
G6-R	89°17'55"	89°15'01"
G7-R	88°35'50"	88°30'03"
G8-R	87°53'47"	87°45'07"
G9-R	87°11'47"	-
GN-1	88°20'15"	-
GN-2	-	88°19'38"

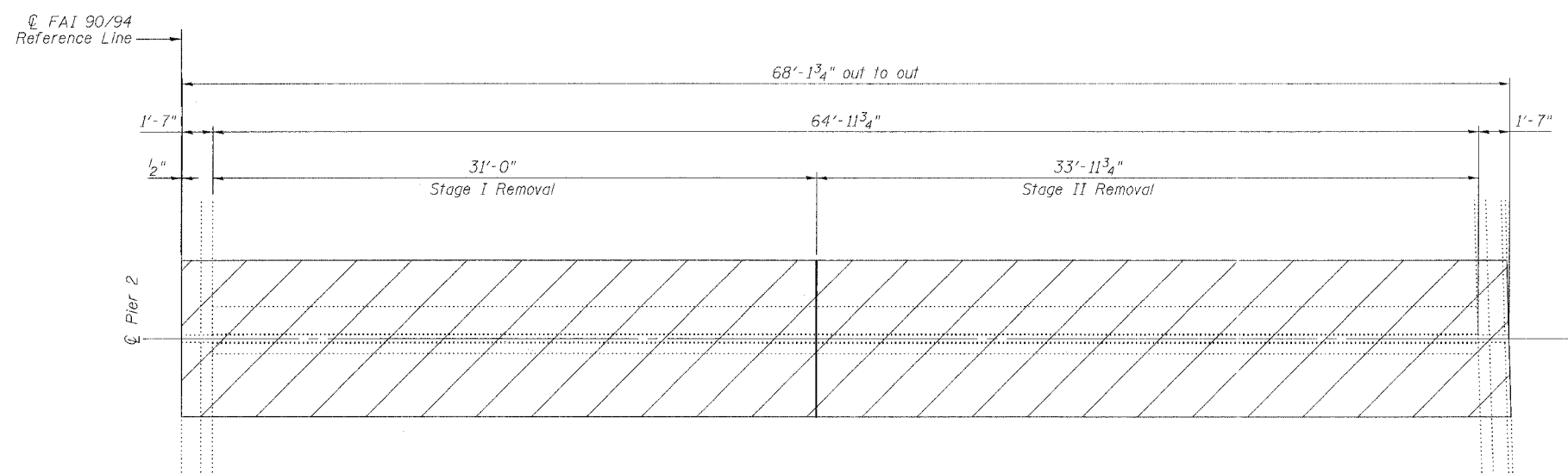


Existing diaphragms to remain

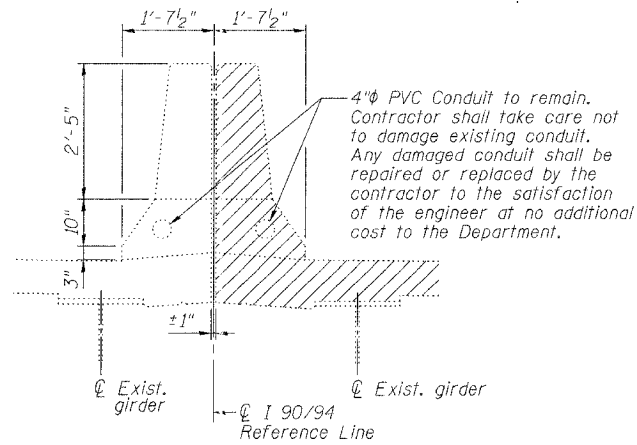
Note:
Any reinforcement bars that are damaged during concrete removal operations shall be repaired or replaced using an approved bar splicer or anchorage system. Cost included with "Concrete Removal".

Existing finger plates, stools, drainage trough and hardware shall be removed. Cost included with "Concrete Removal".

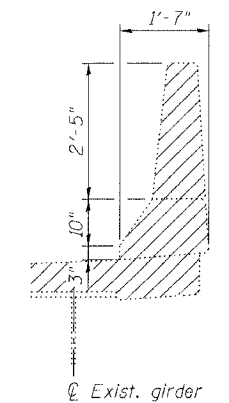
SECTION AT EXISTING FINGER PLATE



JOINT REMOVAL PLAN AT PIER 2



DETAIL AT EXISTING MEDIAN PARAPET



DETAIL AT EXISTING OUTSIDE PARAPET

Notes:
Hatched Area indicates "Concrete Removal".
Longitudinal reinforcement extending into removal areas shall be cleaned, straightened and incorporated into the new construction except as noted on Section A-A on Sheet 5.

REVISIONS	
NAME	DATE

ILLINOIS DEPARTMENT OF TRANSPORTATION
FINGER PLATE EXPANSION JOINT REMOVAL DETAILS
F.A.I. ROUTE 90/94 NORTHBOUND (DAN RYAN EXPRESSWAY)
16TH STREET TO 18TH STREET
COOK COUNTY
S.N. 016-1111 - PIER 2

SCALE: VERT. _____
HORIZ. _____
DATE: 3/28/05

DRAWN BY: LANDREY
DESIGNED BY: SANFORD
CHECKED BY: _____

COMPUTER FILE NO.
04286-W05-NB-REM

PROJECT 04286-W05
6/28/05-MML

GREENE & BRADFORD, INC.
OF SPRINGFIELD
CONSULTING ENGINEERS
1001 N. WASHINGTON ST.
SPRINGFIELD, ILLINOIS 62761
PROFESSIONAL ENGINEERS LICENSE NO. 00000000
ISSUED 12/15/88, EXPIRES 12/15/11
TEL: 217-244-1111, FAX: 217-244-1112, WWW: www.greenegbradford.com

FILE NAME = \$FILES\$
PLOT DATE = \$PLOT_DATE\$
PLOT TIME = \$PLOT_TIME\$
OPERATOR = \$OPERATOR\$