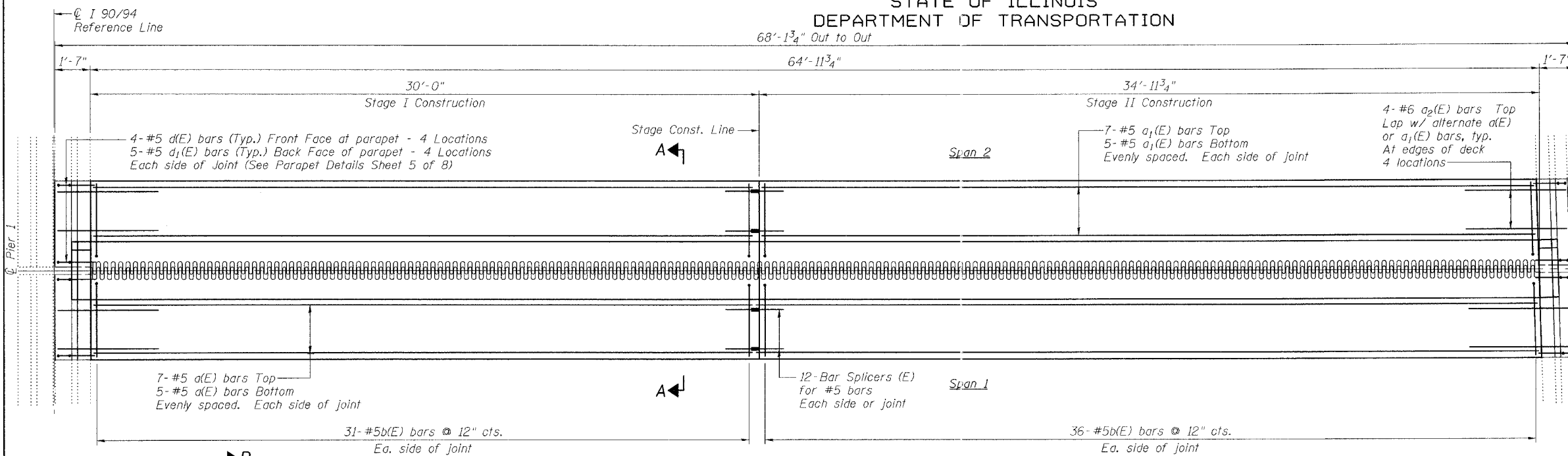


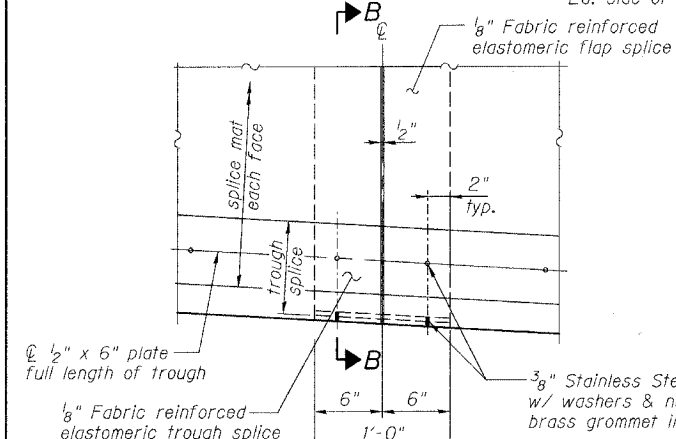
STATE OF ILLINOIS
DEPARTMENT OF TRANSPORTATION

ROUTE NO.	SECTION	COUNTY	DATE	SHEET NO.
FAI 90/94	*	COOK	4/19	230
FED. ROAD DIST. NO.	ILLINOIS	FED. AID PROJECT		
* 2005-008F Contract #62580				

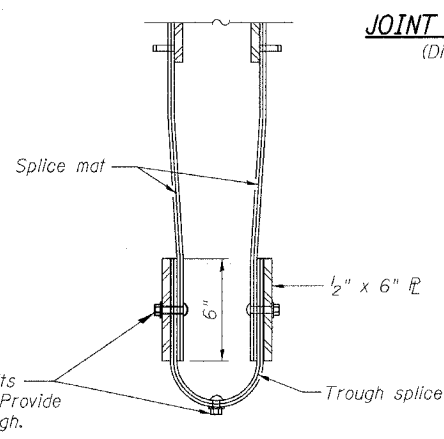
SHEET NO. 3
8 SHEETS



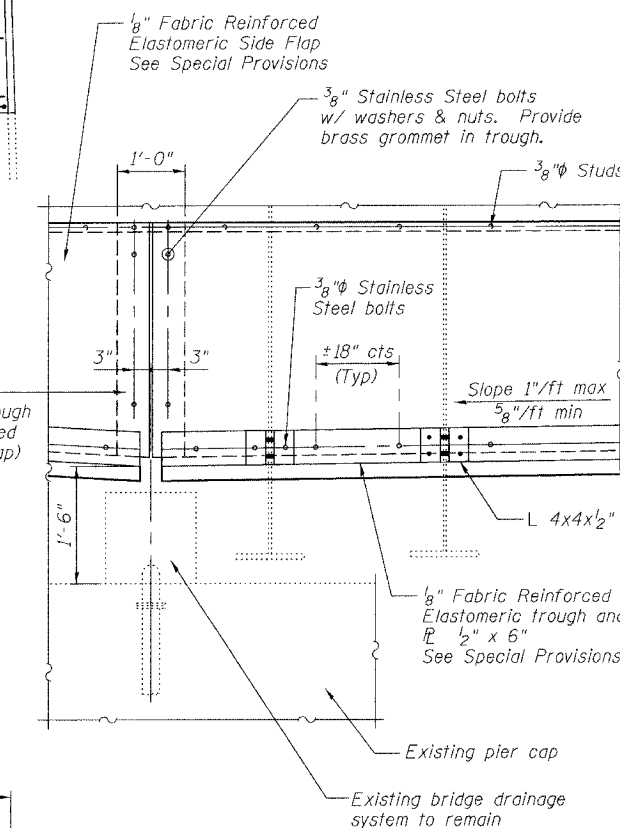
JOINT RECONSTRUCTION PLAN
(Dimensions are along C Pier)



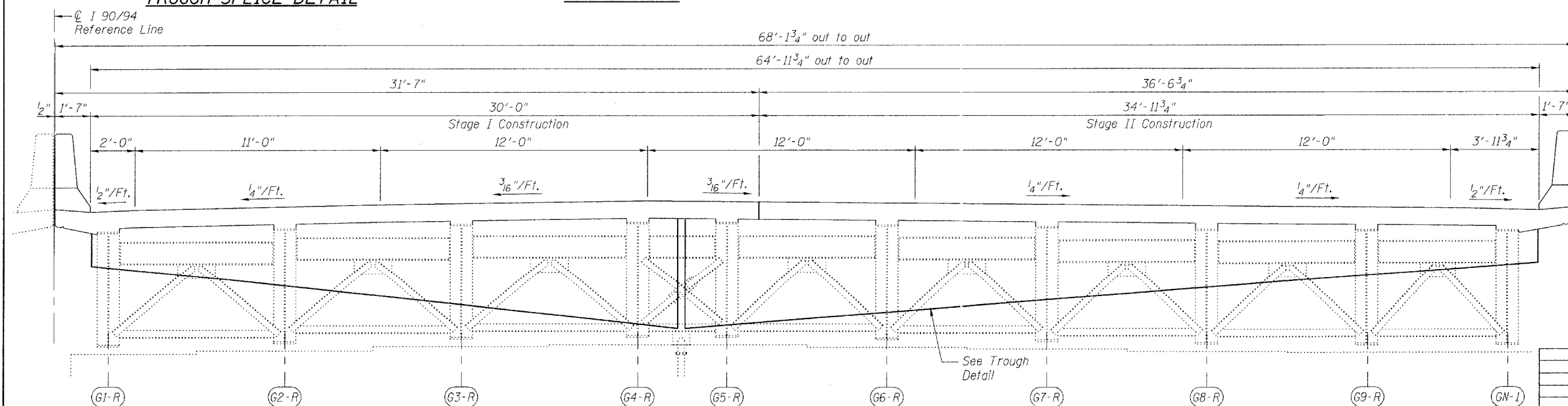
TROUGH SPLICE DETAIL



SECTION B-B



TROUGH DETAIL



ELEVATION (LOOKING NORTH)
(Dimensions are along C Pier)

Notes:

- For Parapet Details and Superstructure Bill of Material, see Sheet 5 of 8.
- For Section A-A, see Sheet 4 of 8.

REVISIONS		
NAME	DATE	

ILLINOIS DEPARTMENT OF TRANSPORTATION
PIER 2 JOINT DETAILS

F.A.I. ROUTE 90/94 NORTHBOUND (DAN RYAN EXPRESSWAY)
16TH STREET TO 18TH STREET
COOK COUNTY
S.N. 016-1111 - PIER 2

SCALE: VERT. _____
HORIZ. _____
DATE: 3/28/05

DRAWN BY: LANDREY
DESIGNED BY: SANFORD
CHECKED BY: _____

GREENE & BRADFORD, INC.
OF SPRINGFIELD

COMPUTER FILE NO.
04286-W05-NB-PJ1

PROJECT 04286-W05
6/28/05-MML

FILE NAME = \$FILES\$
PLOT SCALE = \$PLOTSCALE\$
PLOT TIME = \$PLOTTIME\$
OPERATOR = \$OPERATOR\$