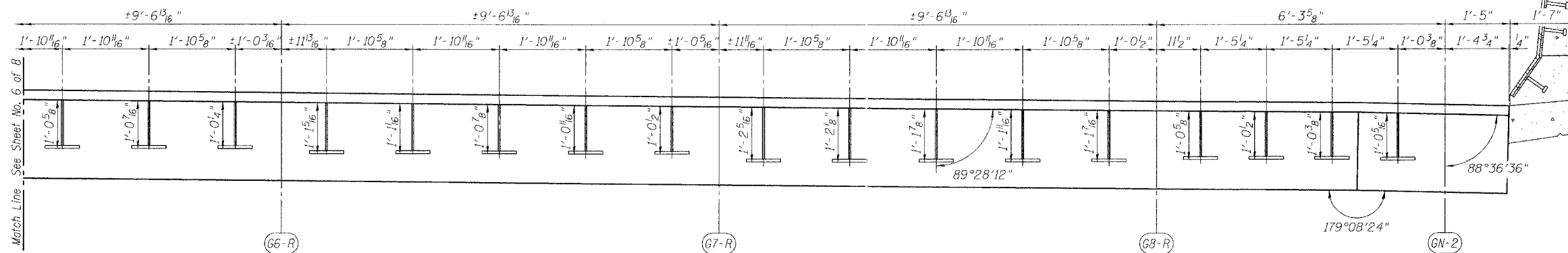


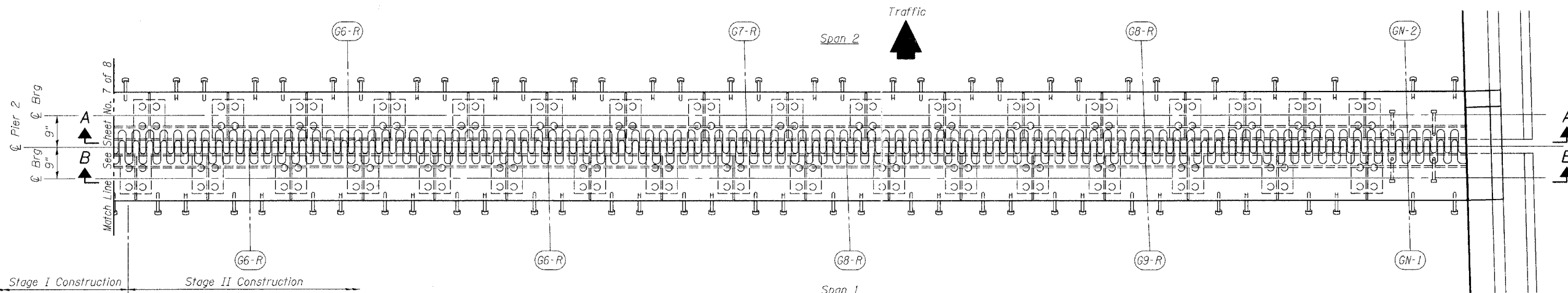
STATE OF ILLINOIS
DEPARTMENT OF TRANSPORTATION

| | | | | |
|--------------------------------|--------------|----------------|---------------------|------------------|
| ROUTE NO. FAI 90/94 | SECTION * | COUNTY COOK | TOTAL SHEETS 419 | SHEET NO. 234 |
| FED. ROAD DIST. NO. | | ILL. DIST. | FED. AID PROJECT | |
| * 2005-008F Contract #62580 | | | | |

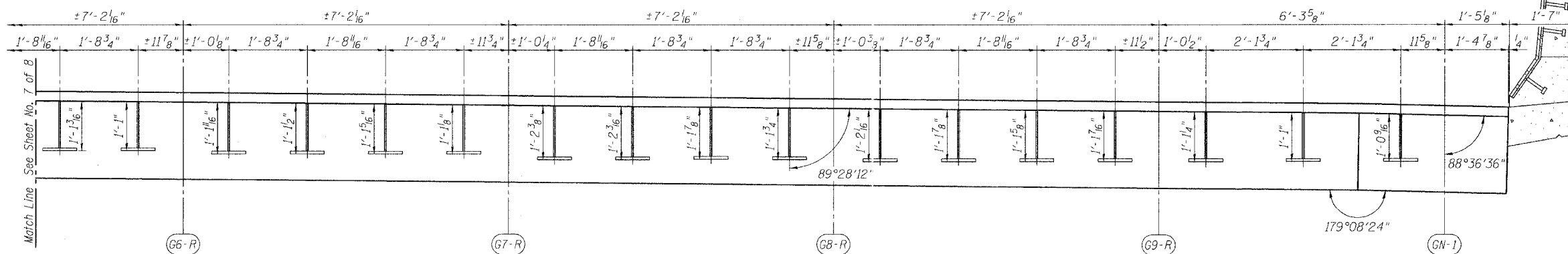
SHEET NO. 7
8 SHEETS



SECTION A-A
(Dimensions are along \bar{Q} Pier)



PLAN OF FINGER PLATE AT PIER 2



SECTION B-B
(Dimensions are along \bar{Q} Pier)

| REVISIONS | | |
|-----------|------|--|
| NAME | DATE | |
| | | |
| | | |
| | | |

ILLINOIS DEPARTMENT OF TRANSPORTATION
FINGER PLATE PLAN AND ELEVATION

F.A.J. ROUTE 90/94 NORTHBOUND (DAN RYAN EXPRESSWAY)
16TH STREET TO 18TH STREET
COOK COUNTY
S.N. 016-1111 - PIER 2

SCALE: VERT. _____
HORIZ. _____
DATE: 3/28/05

DRAWN BY: LANDREY
DESIGNED BY: SANFORD
CHECKED BY: _____
COMPUTER FILE NO.
04286-W05-NB-PE2
PROJECT 04286-W05
6/28/05-MML



FILE NAME = \$FILE\$
PLOT SCALE = \$PLOTSCALE\$
PLOT TIME = \$PLOTTIME\$
OPERATOR = \$OPERATOR\$