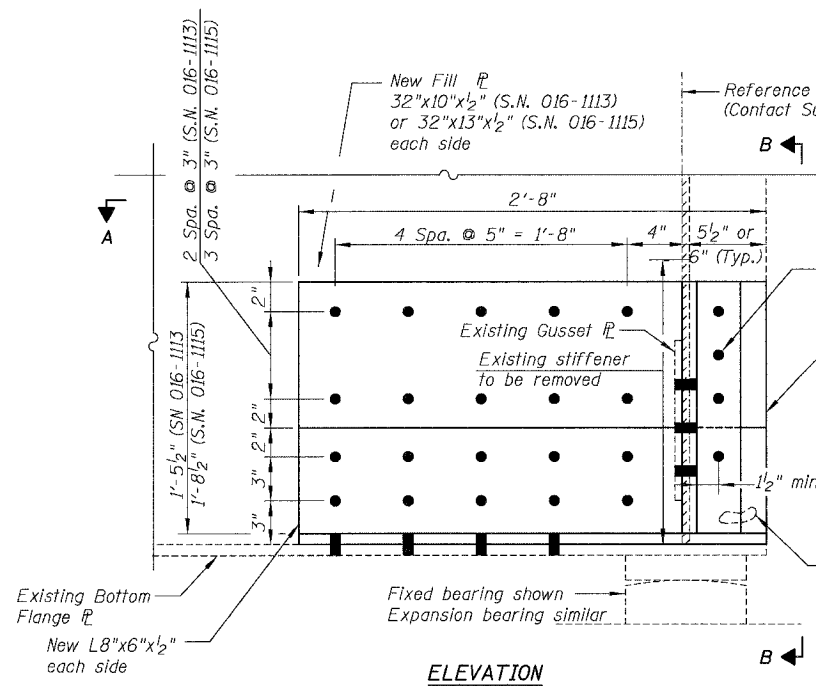
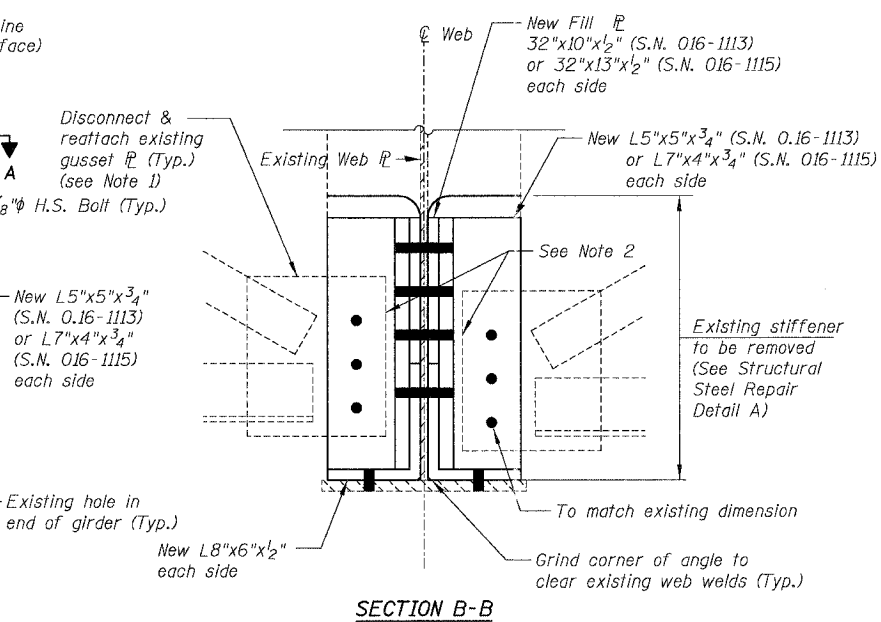


F.A.I.	SECTION	COUNTY	TOTAL SHEETS	SHEET NO.
94/90	2003-02BF	COOK	419	246
STA.	TO STA.			
FED. ROAD DIST. NO.	ILLINOIS	FED. AID PROJECT		

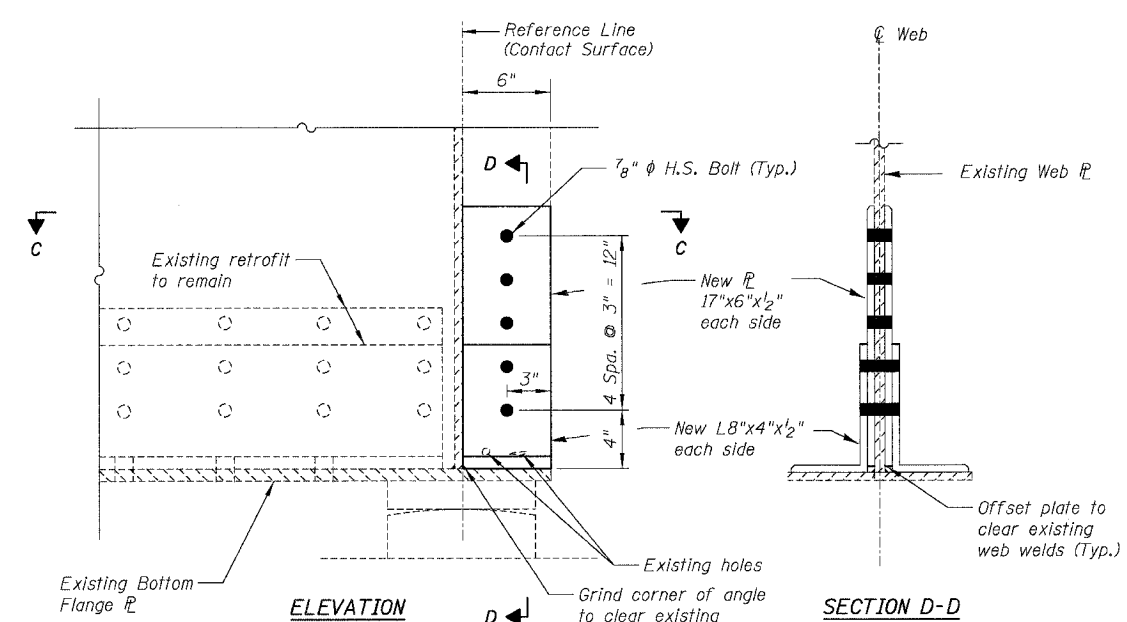
62580



ELEVATION

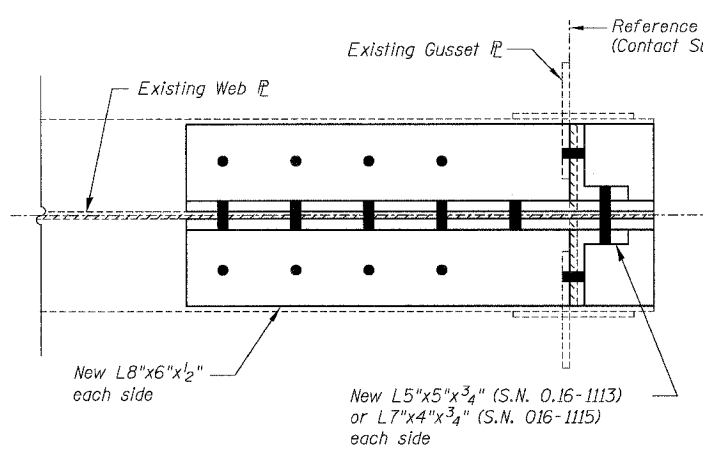


SECTION B-B
(SN 016-1113)

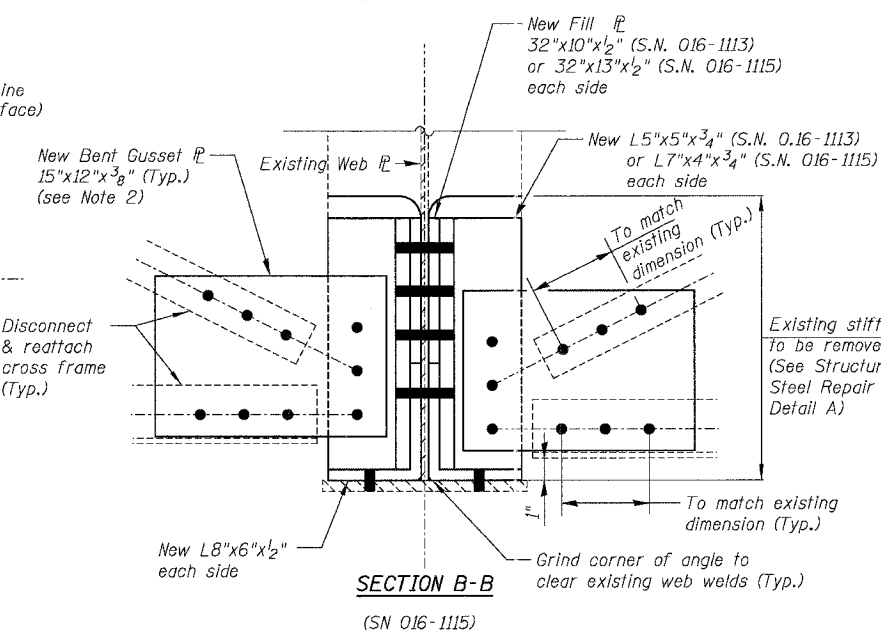


ELEVATION

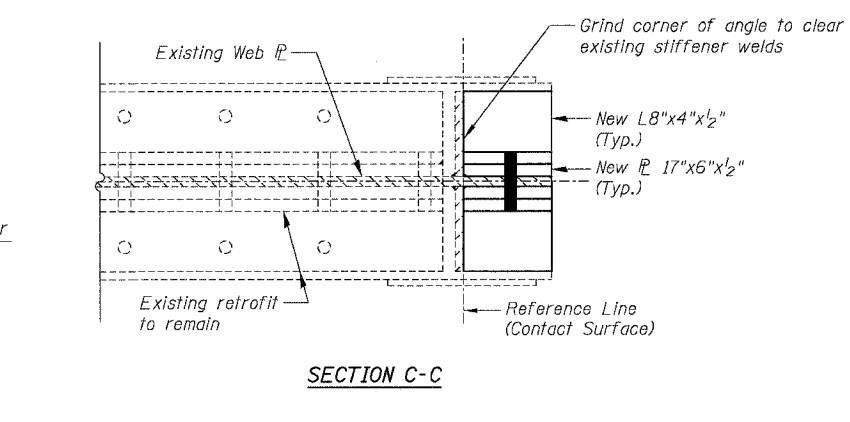
SECTION D-D



SECTION A-A



SECTION B-B
(SN 016-1115)



SECTION C-C

Notes:

- All new bolts for this repair work shall be 7/8" H.S. bolts.
- Shorten existing gusset plate to clear near L leg as needed.
- For locations where end cross frame is present on one side only (S.N. 1115, Span 21, Pier 21, Girder 1N, 4N, 5N & 8N), no new gusset plate shall be replaced on that side.
- This repair work at S.N. 016-1115 shall require temporary closure of Union and Archer Avenues in accordance with Highway Standard 701501.

TYPE C-1
(All Others)

TYPE C-2
(SN 016-1112)

DETAIL C END OF GIRDER REPAIR

BILL OF MATERIAL

Item	Unit	Quantity
Structural Steel Repair	Pound	3,755

REVISIONS	
NAME	DATE

ILLINOIS DEPARTMENT OF TRANSPORTATION
F.A.I. 94/90 (DAN RYAN EXPRESSWAY)
NB DAN RYAN ELEVATED BRIDGE
REPAIR FROM 15TH TO 28TH STREETS
STRUCTURAL STEEL REPAIRS
DETAIL C

SCALE: NTS
DATE: 7/22/2005

DRAWN BY: BDC
CHECKED BY: BLU

BOWMAN, BARRETT & ASSOCIATES INC.
CONSULTING ENGINEERS
Chicago, Illinois
312.228.0100
www.bbandainc.com

7/21/2005 3:40:48 PM
 I:\62580\BRIDGE\35\Steel Repair\660_13_SSPRO.dwg