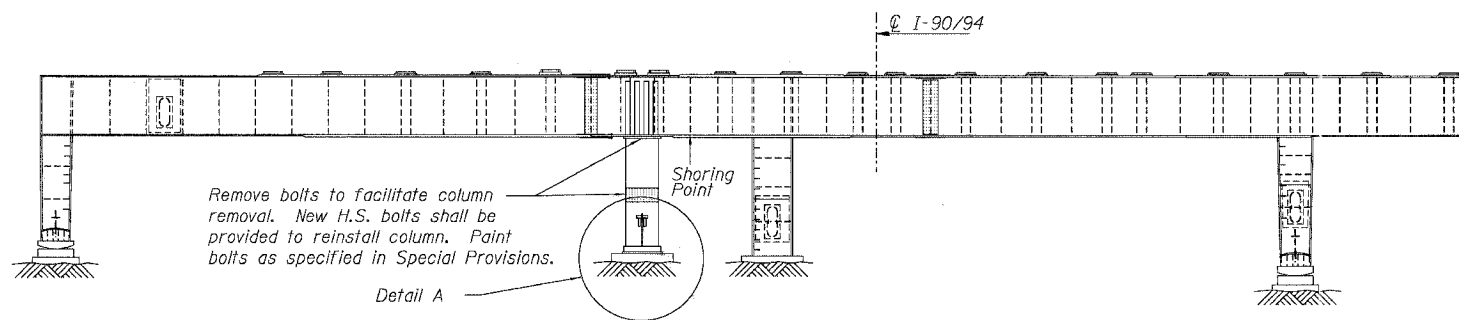
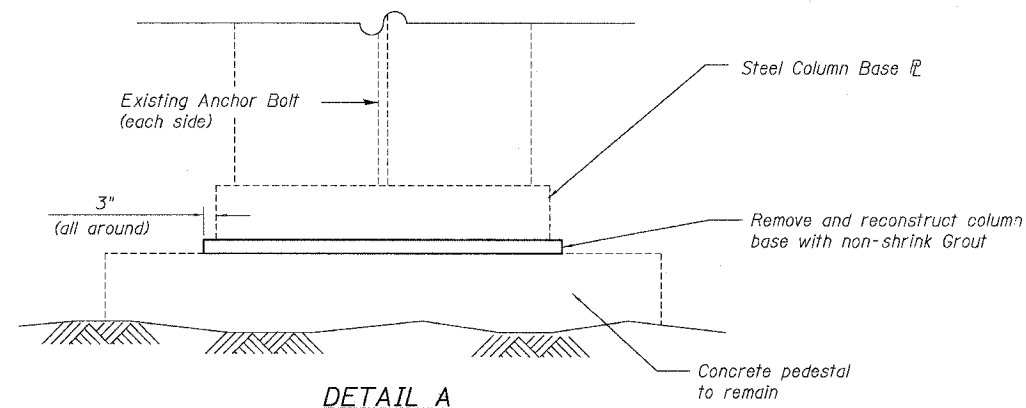


F.A.I.	SECTION	COUNTY	TOTAL SHEETS	SHEET NO.
94/90	2003-028F	COOK	419	248
STA.	TO STA.			
FED. ROAD DIST. NO.	ILLINOIS	FED. AID PROJECT		

62580



PIER 2 - WEST ELEVATION
(Looking East)



SUGGESTED PROCEDURE FOR REPAIR DETAIL

- Shore steel cap beam to provide temporary support for live load and impact only. A minimum of two support points shall be located at intermediate stiffener locations under cap beam webs as shown in the plan. See Special Provisions for Temporary Shoring and Cribbing and Table for Min. Jacking Capacity. Shoring and cribbing cap should provide gap at column base to facilitate removal.
- Unbolt column at cap connection and mid-height splice and remove. Unbolt anchor bolts and lift bottom portion of column to facilitate existing grout pad removal.
- Remove existing grout and roughen existing pedestal over area of new grout base. Care shall be used not to damage anchor bolts.
- Once removal and preparation have been completed to the satisfaction of the Engineer, reinstall column parts. Provide new H.S. bolts for all removed or loosened bolts. Re-use of existing bolts will not be allowed. Leave anchor bolts unfastened.
- Form and pour new non-shrink grout base. Ensure full contact with column base and allow grout to properly cure.
- Remove shoring and cribbing when directed by the Engineer. Re-install anchor nuts and tighten as directed by the Engineer. Paint new bolts and nuts as necessary.

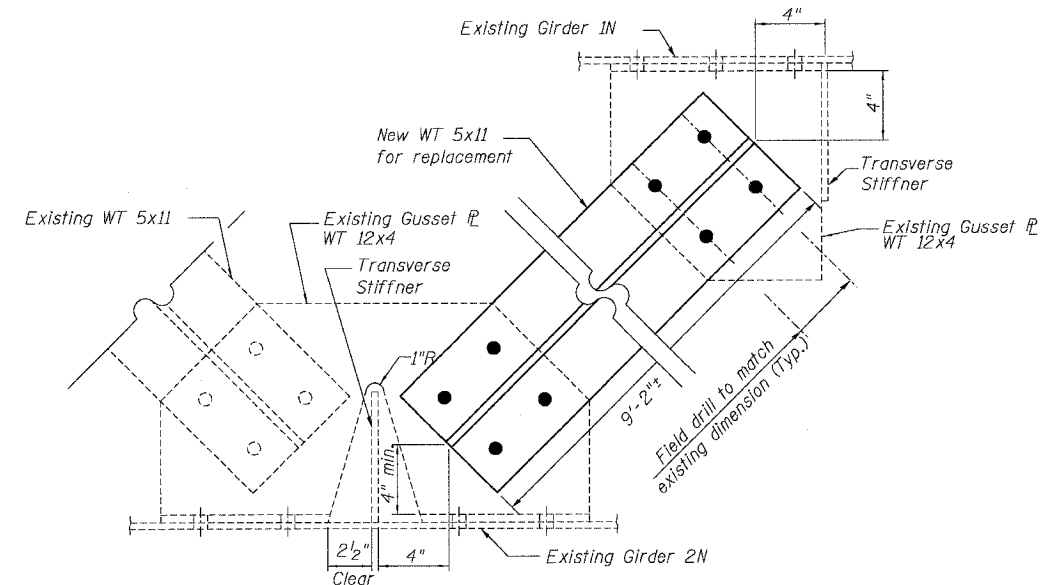
NOTES

- This repair work shall be completed during Stage I of the mainline deck rehabilitation and prior to any deck work in Spans 2 & 3 of S.N. 016-1116. Adjacent railroad yard truck ramp shall be maintained. Contractor shall coordinate with Railroad and Rard for partial ramp closure.
- Contractor can provide alternative scheme to remove existing grout without complete removal of column. The alternative scheme shall be approved by Engineer prior to construction.
- Costs of furnishing, erecting and removal of structural members, traffic control, and materials required in this work shall be included in the cost of "Column Repair". Temporary Shoring and Cribbing shall be paid separately.

DETAIL G COLUMN BASE REPAIR

SN 016-1116, Pier 2

BOWMAN, BARRETT & ASSOCIATES INC.
CONSULTING ENGINEERS
Chicago, Illinois
312.228.0100
www.bbancinc.com



DETAIL H BRACING MEMBER REPLACEMENT

(S.N. 016-1116, Span 3)

Notes: This work shall require temporary sidewalk and lane closure of South Canal Street in accordance with Highway Standards 701801 & 701501.

SUPPORTING REACTIONS & MINIMUM JACKING CAPACITY

S/N	Pier	(LL+I) (k)	Min. Jack. Capacity (k) (Each)
016-1116	2	640	480

BILL OF MATERIAL

Item	Unit	Quantity
Structural Steel Repair	Pound	115
Column Repair	Lump Sum	1
Temporary Shoring and Cribbing	Each	1

REVISIONS NAME	DATE	ILLINOIS DEPARTMENT OF TRANSPORTATION
		F.A.I. 94/90 (DAN RYAN EXPRESSWAY)
		NB DAN RYAN ELEVATED BRIDGE
		REPAIR FROM 15TH TO 28TH STREETS
		STRUCTURAL STEEL REPAIR
		DETAIL G & H
		SCALE: NTS
		DATE: 8/12/2005
		DRAWN BY: BDC
		CHECKED BY: BLU

n:\660\cadd\ur\lge\13\Steel Repair\660.13.SS.P05.dwg 11:54:48 AM 8/17/2005