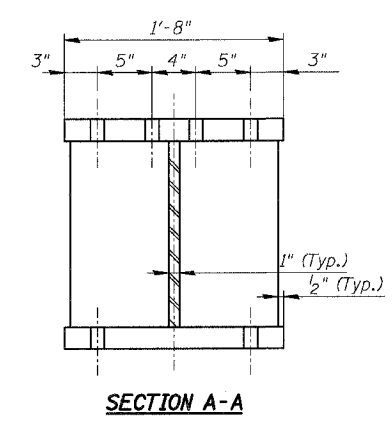
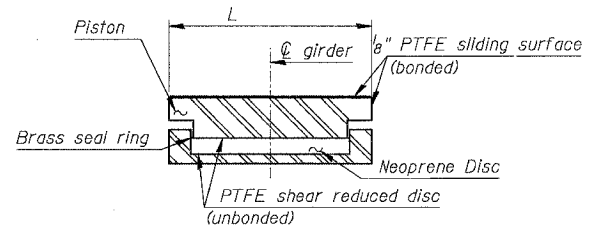
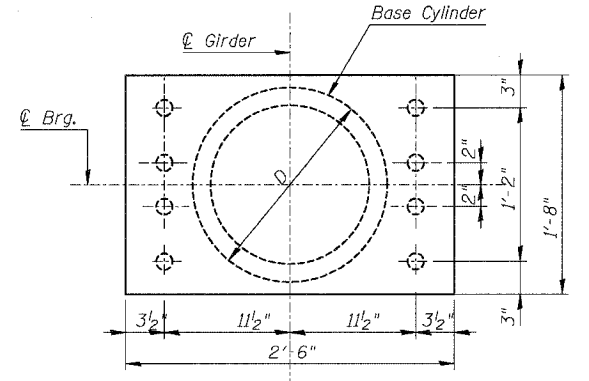
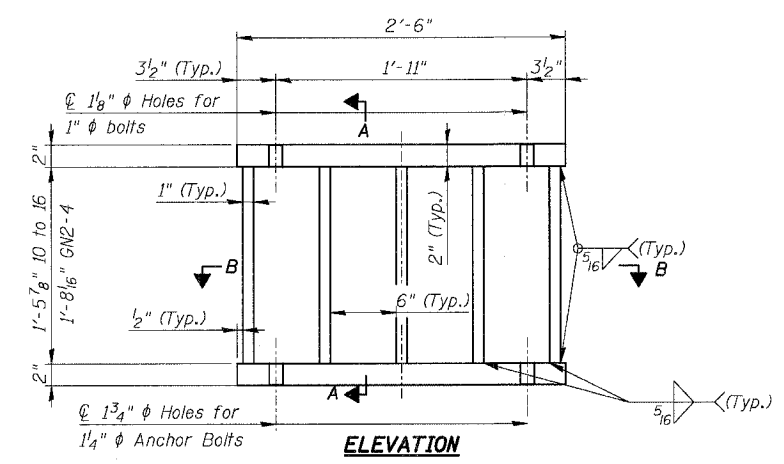
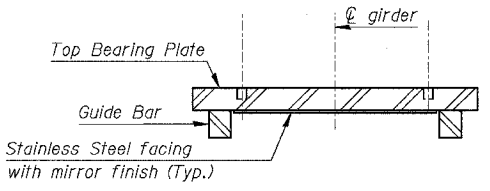
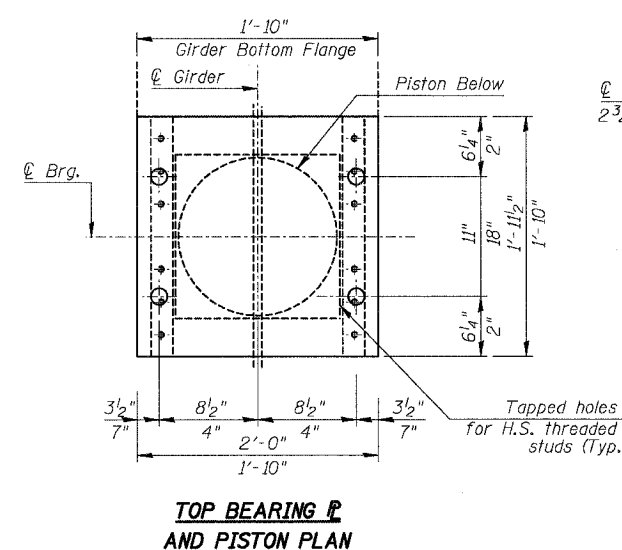
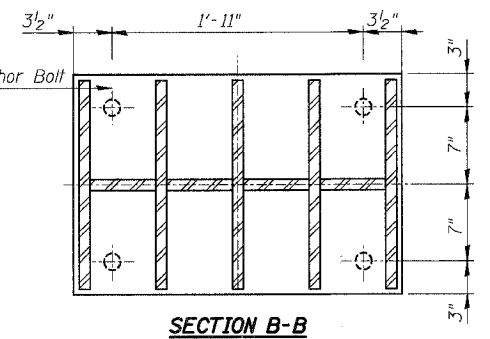
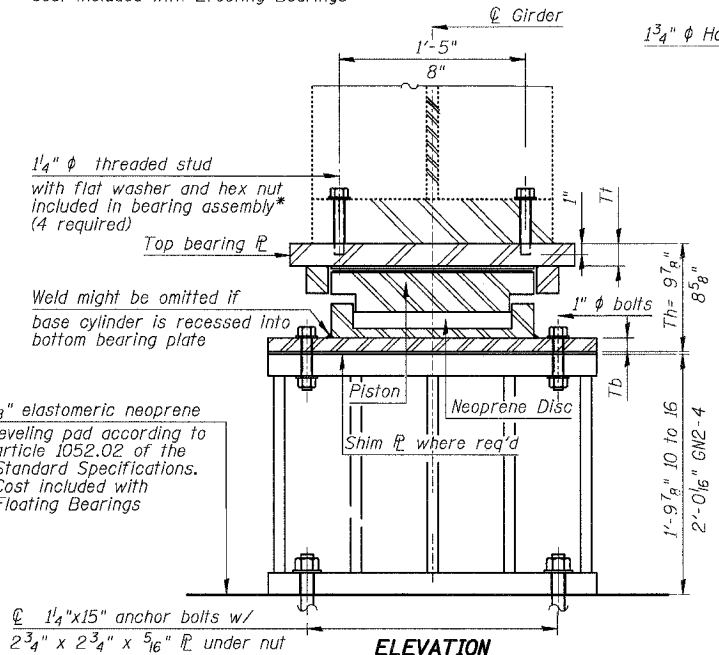


\*Ream existing holes to 1 3/8"  
Cost included with Erecting Bearings



- Notes:
- The 1/8" TFE sheet shall be bonded directly to the piston with a two component medium viscosity epoxy resin, conforming to the requirements of the Federal Specification MM-A-134, Type 1. The bond agent shall be applied to the full area of the contact surfaces.
  - Total Bearing Heights (Th) are based on values taken from a specific manufacturer's design tables. Actual bearing heights may differ from contract plans. Contractor to verify bearing heights and adjust steel extension height if required.
  - The Vertical Design Load in table is the actual controlling vertical service load.
  - Floating Bearings dimensions and details are based on the DS Brown Versiflex HLMR Uni Directional PMG series. Contractor shall make necessary modifications based on the actual bearings provided.
  - As alternates to the bolted connection shown, the guide bars may be connected to the top bearing plate by groove welds or the guide bar and top bearing may be fabricated as a single piece.
  - Bearing manufacturer shall coordinate with steel extension manufacturer in order to provide required height from top of pier to bottom of beam flange.
  - Notes applicable to bearing manufacturer are provided for information only. Erection contractor shall only refer to notes and details applicable for existing bearing removal and installation of provided bearings and extensions.
  - For Jacking procedure see sheet 250.

**SN 016-1116 - BILL OF MATERIAL**

| Item   | Unit | Quantity |
|--|------|----------|
| Erecting Floating Bearing, Guided Exp., 550 Kips | Each | 7        |
| Erecting Floating Bearing, Guided Exp., 400 Kips | Each | 3        |
| Anchor Bolts                                     | Each | 40       |
| Jack and Remove Existing Bearings                | Each | 10       |

**SN 016-1116 - FLOATING BEARING SCHEDULE**

| Beam No. | Vertical Design Load, k | Lateral Design Load, k | Total Req'd Movement (in.) | Tt    | Tb | Th    | L      | D      |
|----------|-------------------------|------------------------|----------------------------|-------|----|-------|--------|--------|
| 10-16    | 550                     | 110                    | 2 7/8                      | 2 3/4 | 2  | 9 7/8 | 18 1/2 | 17 3/4 |
| GN2-4    | 400                     | 80                     | 2 7/8                      | 2     | 2  | 8 5/8 | 15     | 15     |

Dimensions are in inches.  
Beam numbers reference as-built drawings, see Framing Plans for cross reference.

**FABRICATED STEEL EXTENSION DETAIL**  
TOTAL OF 10 REQ'D.

| REVISIONS | DATE | ILLINOIS DEPARTMENT OF TRANSPORTATION   |
|-----------|------|---|
| NAME      |      | F.A.I. 94/90 (DAN RYAN EXPRESSWAY)<br>NB DAN RYAN ELEVATED BRIDGE<br>REPAIR FROM 15TH TO 28TH STREETS<br>FLOATING BEARING DETAILS |
|           |      | SCALE: NTS<br>DATE: 8/12/2005   |
|           |      | DRAWN BY: L.M.<br>CHECKED BY: BLU   |

11/5/05 4:49 AM