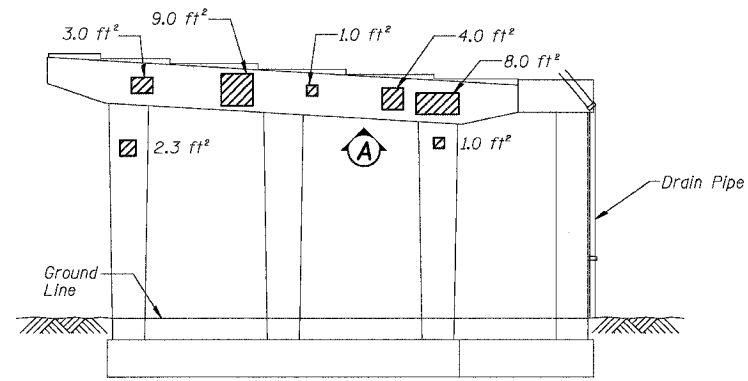
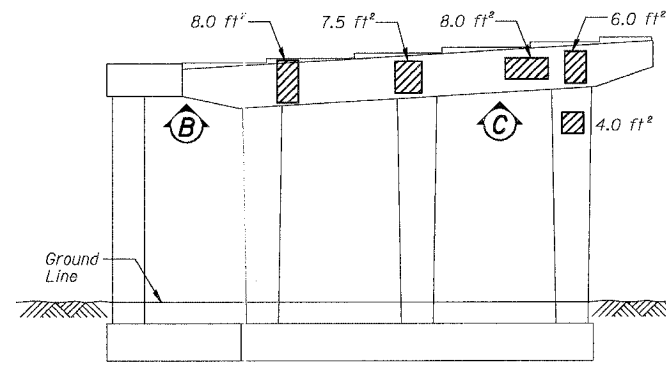


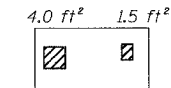
F.A.I.	SECTION	COUNTY	TOTAL SHEETS	SHEET NO.
94/90	2003-028F	COOK	419	254
STA.	TO STA.			
FED. ROAD DIST. NO.	ILLINOIS FED. AID PROJECT			
62580				



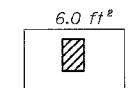
**PIER H8 - ELEVATION**  
(Looking East)



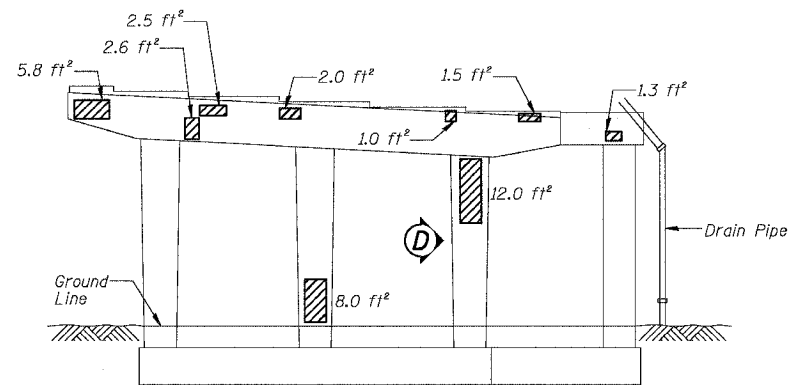
**PIER H8 - ELEVATION**  
(Looking West)



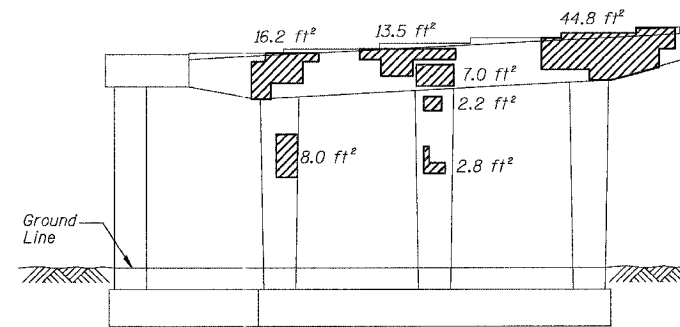
**PIER H8 - VIEW A**  
Looking up at Bottom of Cap



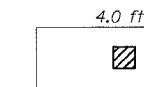
**PIER H8 - VIEW B**  
Looking up at Bottom of Cap



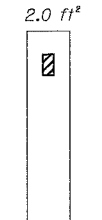
**PIER H7 - ELEVATION**  
(Looking East)



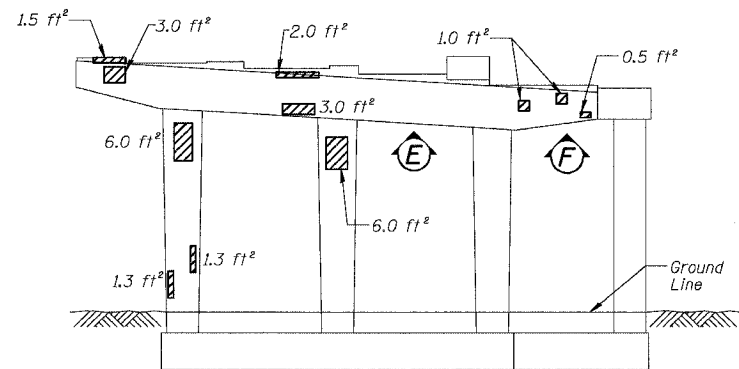
**PIER H7 - ELEVATION**  
(Looking West)



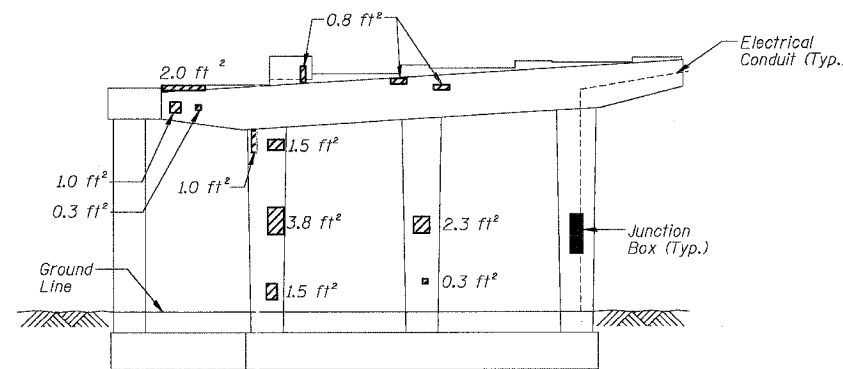
**PIER H8 - VIEW C**  
Looking up at Bottom of Cap



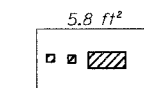
**PIER H7 - VIEW D**  
Looking South at Side of Column



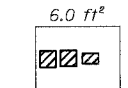
**PIER H6 - ELEVATION**  
(Looking East)



**PIER H6 - ELEVATION**  
(Looking West)



**PIER H6 - VIEW E**  
Looking up at Bottom of Cap



**PIER H6 - VIEW F**  
Looking up at Bottom of Cap

**BILL OF MATERIAL**

ITEM	UNIT	QUANTITY
High Performance	SQ. FT.	304.8
Enhanced Shotcrete		

REVISIONS	NAME	DATE

ILLINOIS DEPARTMENT OF TRANSPORTATION  
 F.A.I. 94/90 (DAN RYAN EXPRESSWAY)  
 NB DAN RYAN ELEVATED BRIDGE  
 REPAIR FROM 15TH TO 28TH STREETS  
 CONCRETE PIER REPAIRS  
 SN 016-1118, PIERS H6,H7,H8  
 SCALE: NTS  
 DATE: 7/22/2005  
 DRAWN BY: BDC  
 CHECKED BY: BLU

BOWMAN, BARRETT & ASSOCIATES INC  
 CONSULTING ENGINEERS  
 Chicago, Illinois  
 312.228.0100  
 www.bbainc.com

For Notes and Legend See Sheet 253