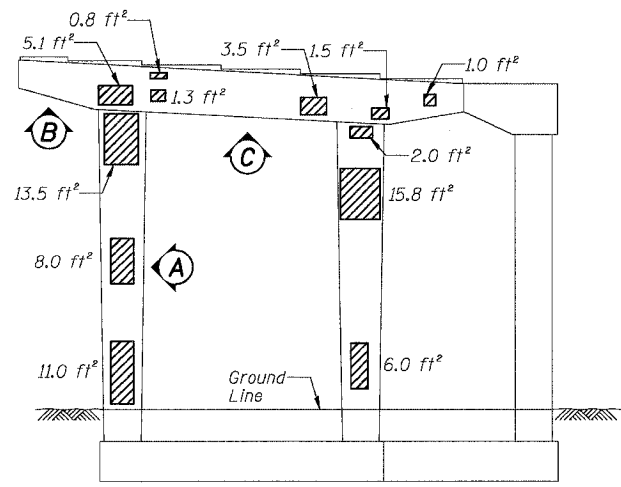
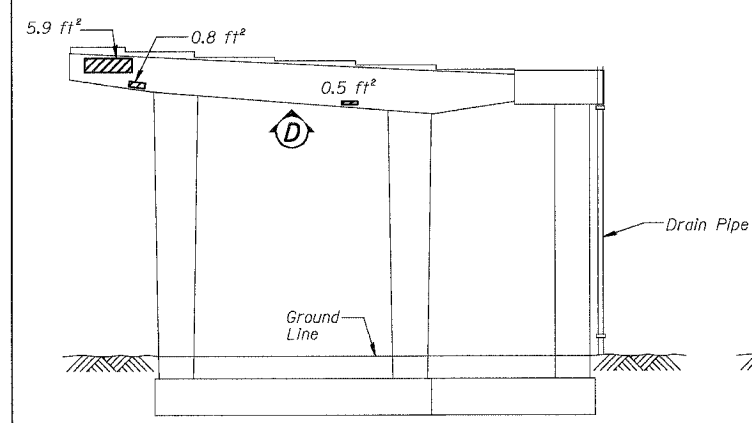


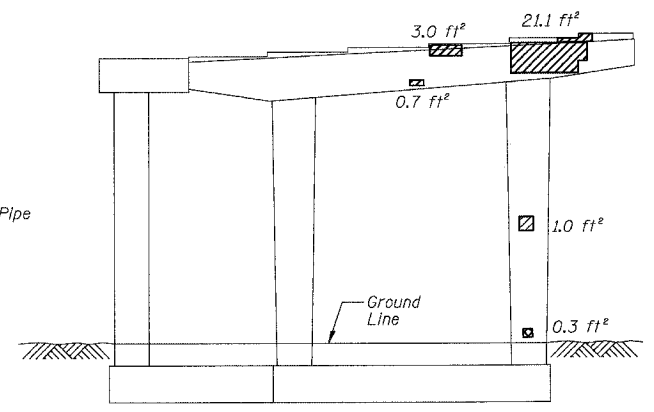
F.A.I.	SECTION	COUNTY	TOTAL SHEETS	SHEET NO.
94/90	2003-028F	COOK	419	255
STA.	TO STA.			
FED. ROAD DIST. NO.	ILLINOIS FED. AID PROJECT			
62580				



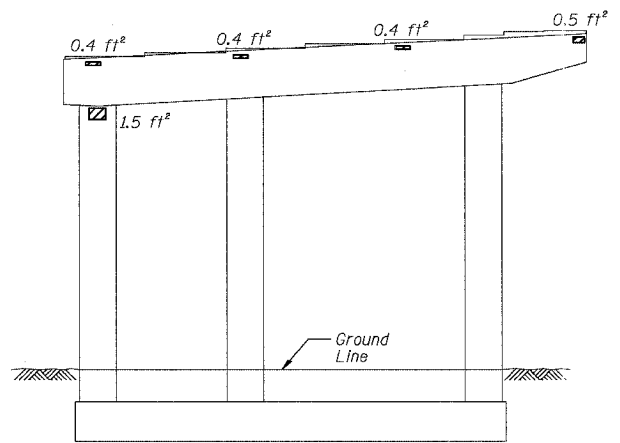
PIER H12 - ELEVATION
(Looking East)



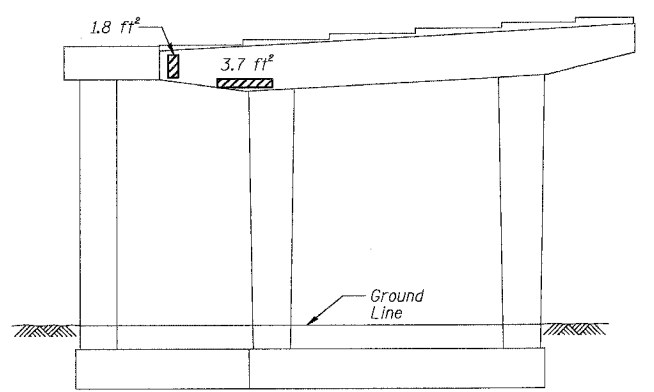
PIER H10 - ELEVATION
(Looking East)



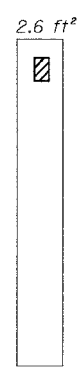
PIER H10 - ELEVATION
(Looking West)



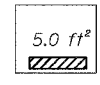
PIER H11 - ELEVATION
(Looking West)



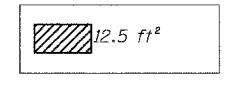
PIER H9 - ELEVATION
(Looking West)



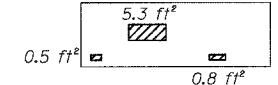
PIER H12 - VIEW A
Looking North at Side of Column



PIER H12 - VIEW B
Looking up at Bottom of Cap



PIER H12 - VIEW C
Looking up at Bottom of Cap



PIER H10 - VIEW D
Looking up at Bottom of Cap

BILL OF MATERIAL

ITEM	UNIT	QUANTITY
High Performance Enhanced Shotcrete	SQ. FT.	158.9

REVISIONS	NAME	DATE

ILLINOIS DEPARTMENT OF TRANSPORTATION
F.A.I. 94/90 (DAN RYAN EXPRESSWAY)
NB DAN RYAN ELEVATED BRIDGE
REPAIR FROM 15TH TO 28TH STREETS
CONCRETE PIER REPAIRS
SN 016-1118, PIERS H9,H10,H11,H12
SCALE: NTS
DATE: 7/22/2005
DRAWN BY: BDC
CHECKED BY: BLU

BOWMAN, BARRETT & ASSOCIATES INC.
CONSULTING ENGINEERS
Chicago, Illinois
312.228.0100
www.bbainc.com

For Notes and Legend See Sheet 2.53