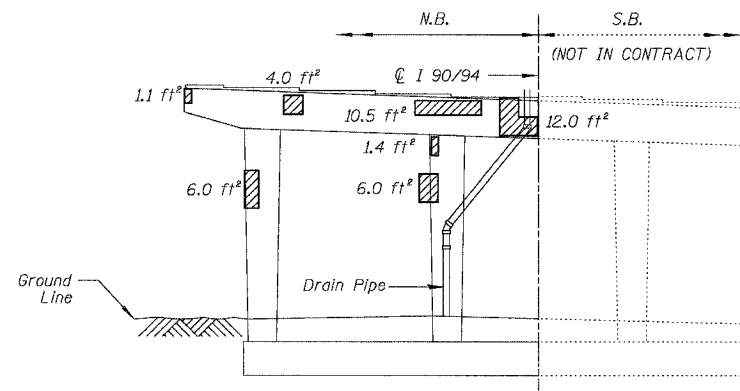
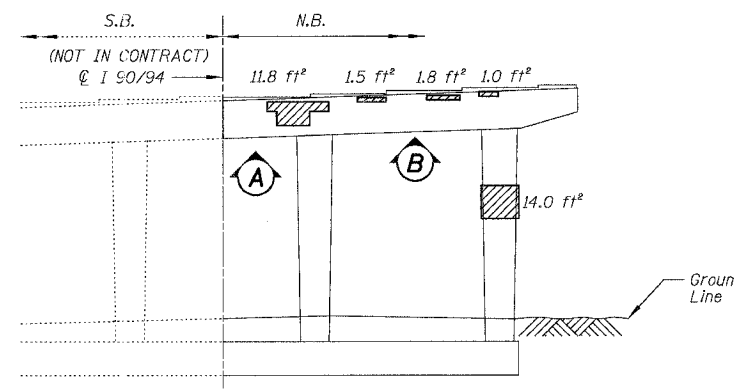


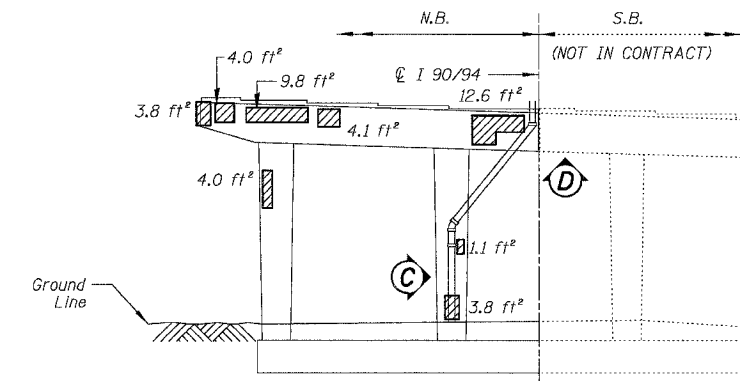
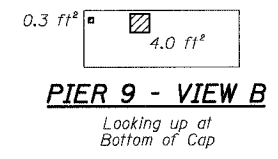
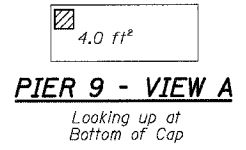
F.A.I.	SECTION	COUNTY	TOTAL SHEETS	SHEET NO.
94/90	2003-028F	COOK	419	256
STA.	TO STA.			
FED. ROAD DIST. NO.	ILLINOIS FED. AID PROJECT			
62580				



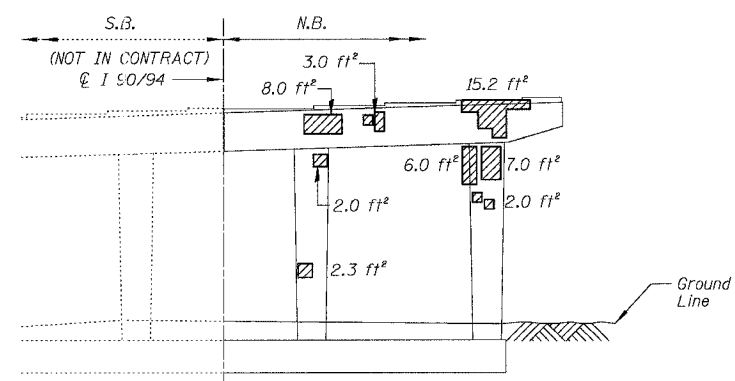
PIER 9 - NORTH ELEVATION
(Looking South)



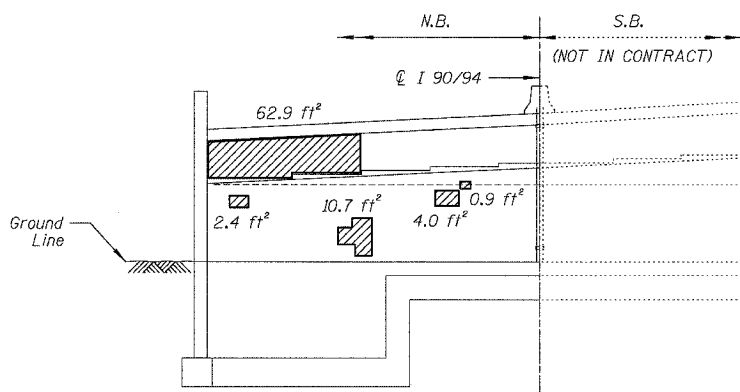
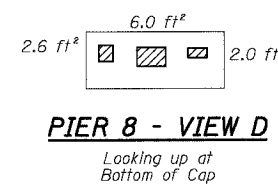
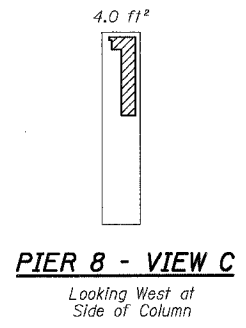
PIER 9 - SOUTH ELEVATION
(Looking North)



PIER 8 - NORTH ELEVATION
(Looking South)



PIER 8 - SOUTH ELEVATION
(Looking North)



SOUTH ABUTMENT - NORTH ELEVATION
(Looking South)

BILL OF MATERIAL

ITEM	UNIT	QUANTITY
High Performance	SQ. FT.	303.1
Enhanced Shotcrete		

REVISIONS	DATE
NAME	

ILLINOIS DEPARTMENT OF TRANSPORTATION
 F.A.I. 94/90 (DAN RYAN EXPRESSWAY)
 NB DAN RYAN ELEVATED BRIDGE
 REPAIR FROM 15TH TO 28TH STREETS
 CONCRETE PIER REPAIRS
 SN 016-1117, PIERS 8,9, S ABUT.
 SCALE: NTS
 DATE: 7/22/2005
 DRAWN BY: BDC
 CHECKED BY: BLU

BOWMAN, BARRETT & ASSOCIATES INC.
 CONSULTING ENGINEERS
 Chicago, Illinois
 312.228.0100
 www.bbainc.com

For Notes and Legend See Sheet 2.53