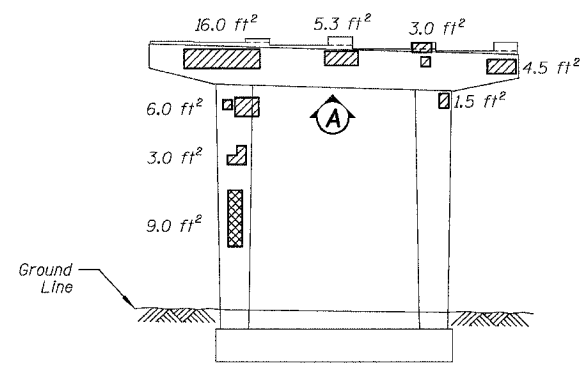
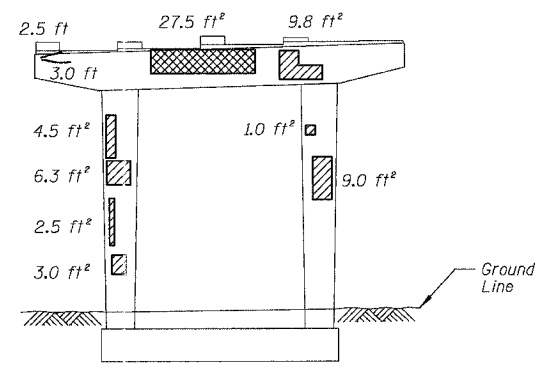


F.A.I.	SECTION	COUNTY	TOTAL SHEETS	SHEET NO.
94/90	2003-02BF	COOK	419	257
STA.	TO STA.			
FED. ROAD DIST. NO.	ILLINOIS	FED. AID PROJECT		

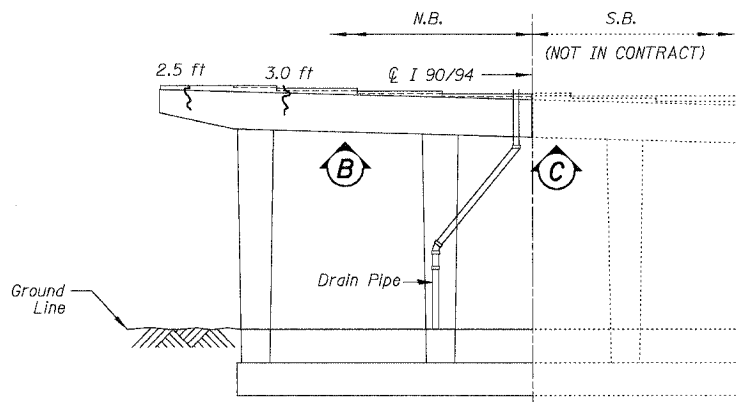
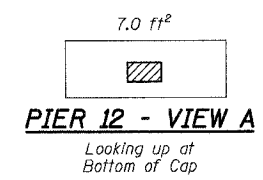
62580



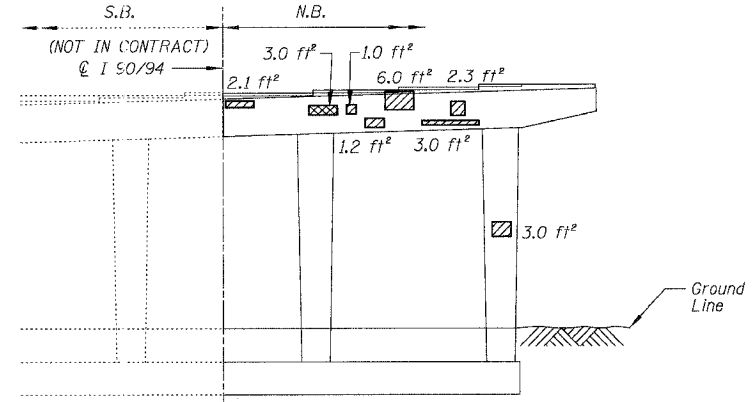
PIER 12 - NORTH ELEVATION
(Looking South)



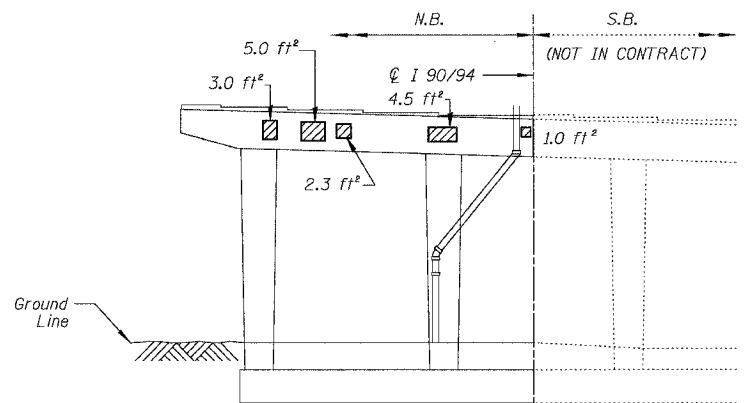
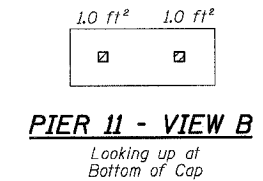
PIER 12 - SOUTH ELEVATION
(Looking North)



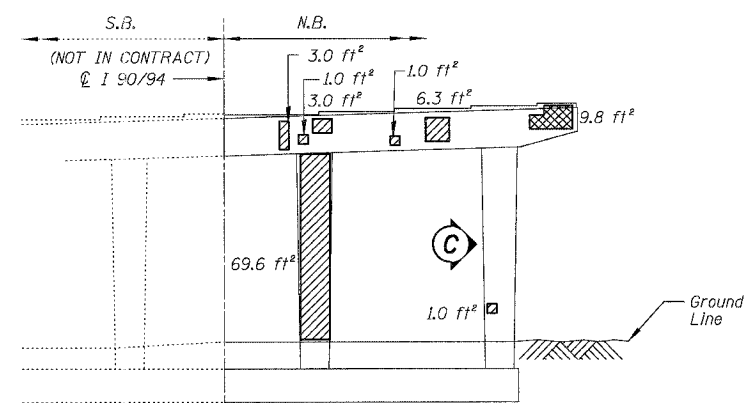
PIER 11 - NORTH ELEVATION
(Looking South)



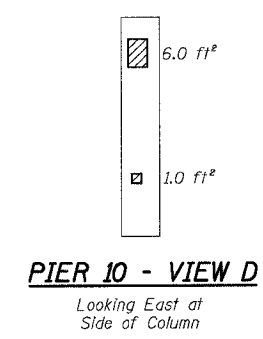
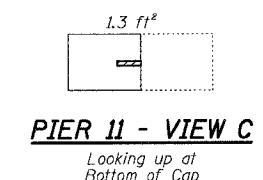
PIER 11 - SOUTH ELEVATION
(Looking North)



PIER 10 - NORTH ELEVATION
(Looking South)



PIER 10 - SOUTH ELEVATION
(Looking North)



BILL OF MATERIAL

ITEM	UNIT	QUANTITY
High Performance Enhanced Shotcrete	SQ. FT.	243.8
Formed Concrete Repair (Depth Greater than 5")	SQ. FT.	56.7
Epoxy Crack Sealing	FOOT	12.7

REVISIONS NAME	DATE

ILLINOIS DEPARTMENT OF TRANSPORTATION
 F.A.I. 94/90 (DAN RYAN EXPRESSWAY)
 NB DAN RYAN ELEVATED BRIDGE
 REPAIR FROM 15TH TO 28TH STREETS
 CONCRETE PIER REPAIRS
 SN 016-1117, PIERS 10,11,12
 SCALE: NTS
 DATE: 7/22/2005
 DRAWN BY: BDC
 CHECKED BY: BLU

BOWMAN, BARRETT & ASSOCIATES INC.
 CONSULTING ENGINEERS
 Chicago, Illinois
 312.228.0100
 www.bbainc.com

For Notes and Legend See Sheet 253