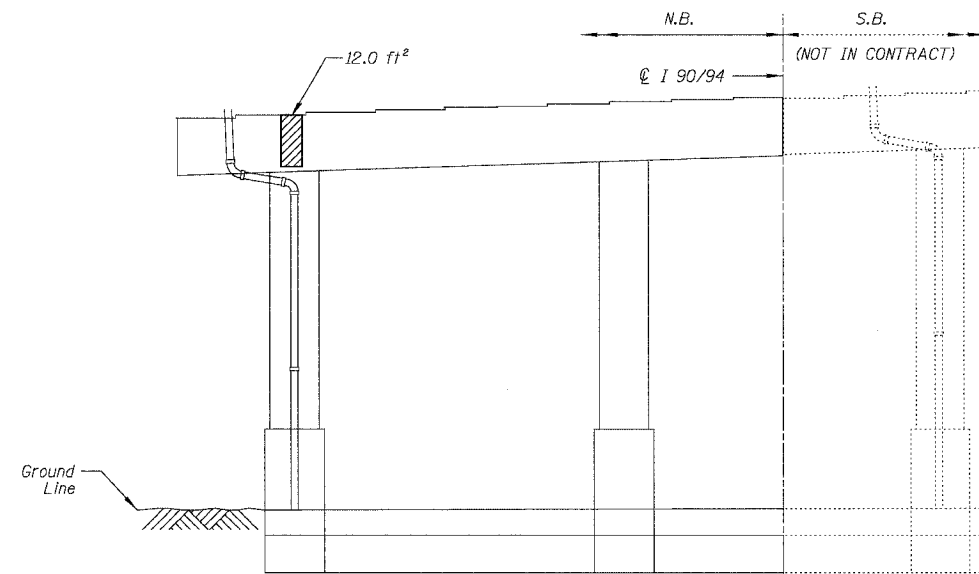
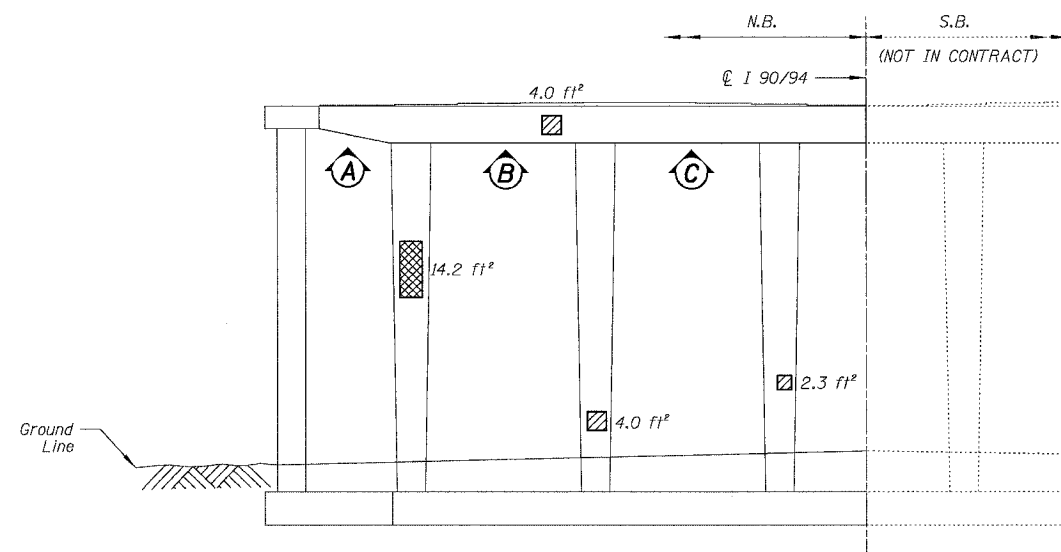


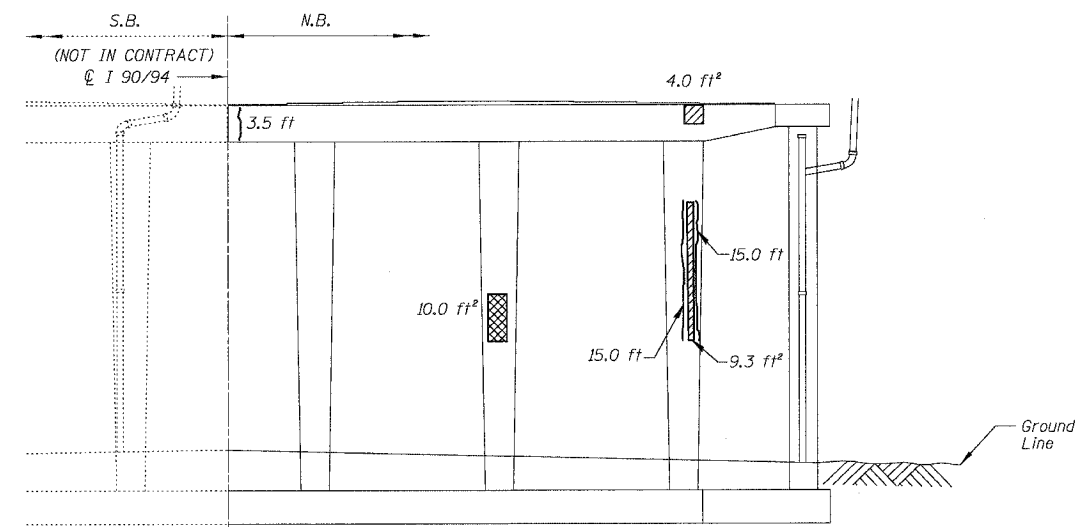
F.A.I.	SECTION	COUNTY	TOTAL SHEETS	SHEET NO.
94/90	2003-028F	COOK	419	263
STA.	TO STA.			
FED. ROAD DIST. NO.	ILLINOIS FED. AID PROJECT			
62580				



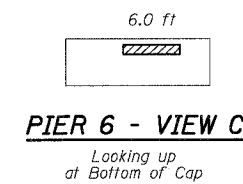
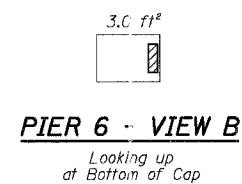
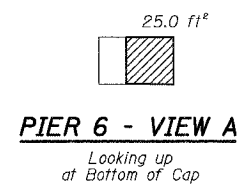
**PIER 9 - ELEVATION**  
(Looking East)



**PIER 6 - ELEVATION**  
(Looking East)



**PIER 6 - ELEVATION**  
(Looking West)



**BILL OF MATERIAL**

ITEM	UNIT	QUANTITY
High Performance Enhanced Shotcrete	SQ. FT.	80.0
Formed Concrete Repair (Depth Greater than 5")	SQ. FT.	27.9
Epoxy Crack Sealing	FOOT	38.6

REVISIONS	
NAME	DATE

ILLINOIS DEPARTMENT OF TRANSPORTATION  
F.A.I. 94/90 (DAN RYAN EXPRESSWAY)  
NB DAN RYAN ELEVATED BRIDGE  
REPAIR FROM 15TH TO 28TH STREETS  
CONCRETE PIER REPAIRS  
SN 016-1115, PIERS 6,9

SCALE: NTS  
DATE: 7/22/2005

DRAWN BY: BDC  
CHECKED BY: BLU

BOWMAN, BARRETT & ASSOCIATES INC.  
CONSULTING ENGINEERS  
Chicago, Illinois  
312.228.0100  
www.bbainc.com

For Notes and Legend See Sheet 253