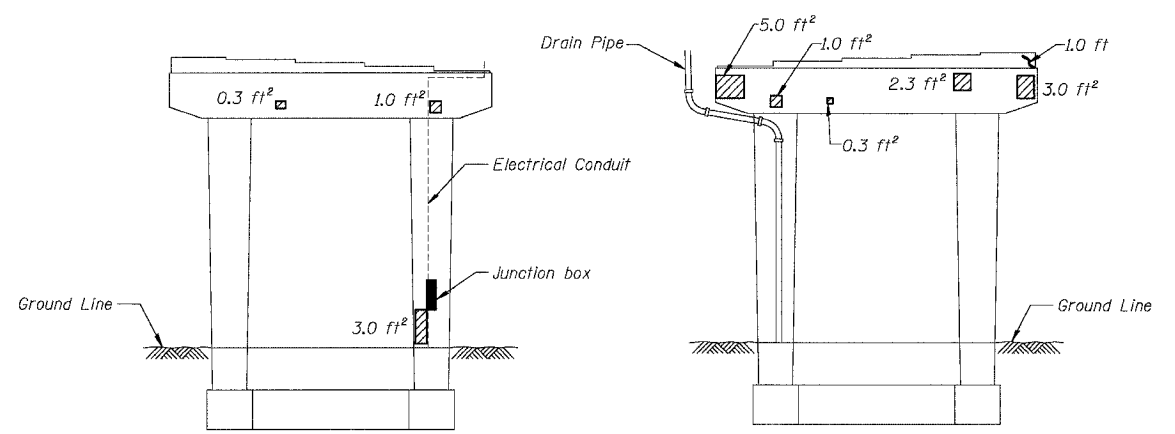


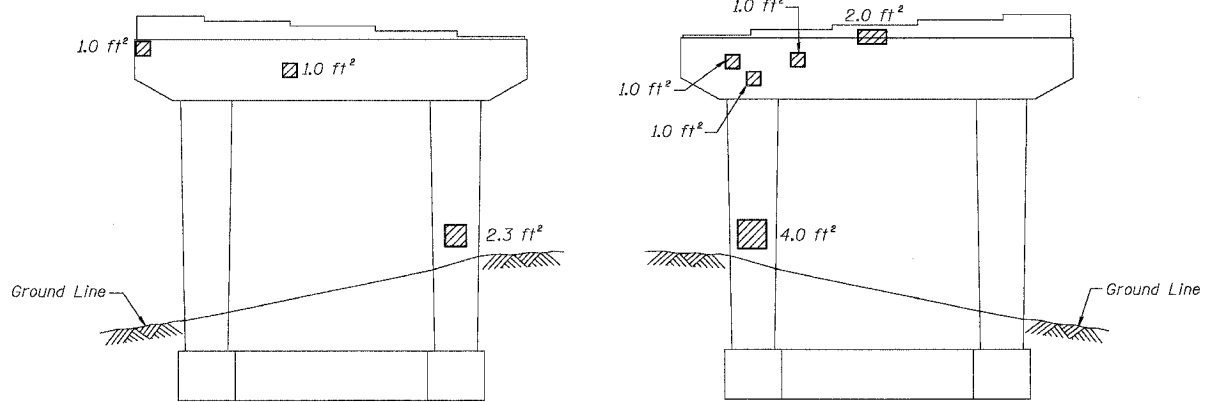
F.A.I.	SECTION	COUNTY	TOTAL SHEETS	SHEET NO.
94/90	2003-028F	COOK	419	269
STA.	TO STA.			
FED. ROAD DIST. NO.	ILLINOIS FED. AID PROJECT			

62580



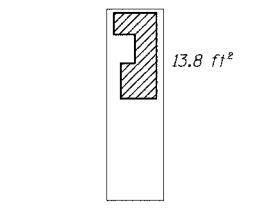
**PIER 33 - NORTH ELEVATION**  
(Looking South)

**PIER 33 - SOUTH ELEVATION**  
(Looking North)

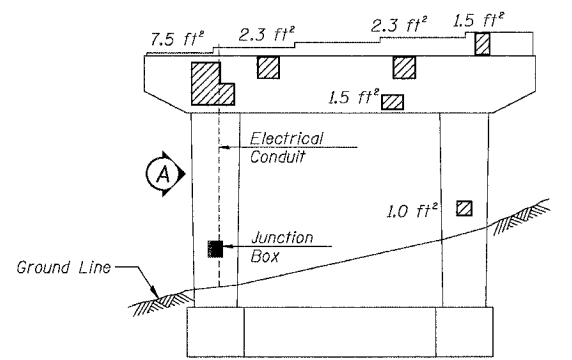


**PIER 34 - NORTH ELEVATION**  
(Looking South)

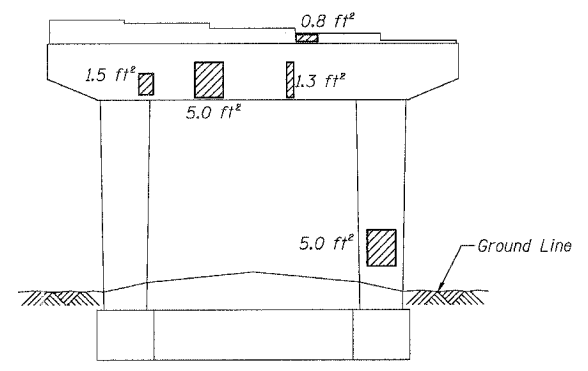
**PIER 34 - SOUTH ELEVATION**  
(Looking North)



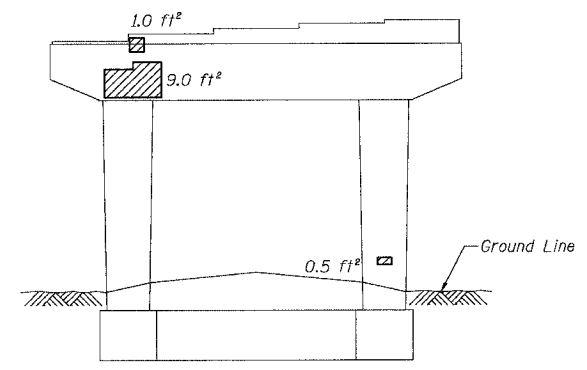
**PIER 35 - VIEW A**  
(Looking East at side of column)



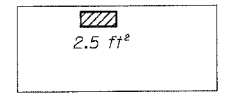
**PIER 35 - SOUTH ELEVATION**  
(Looking North)



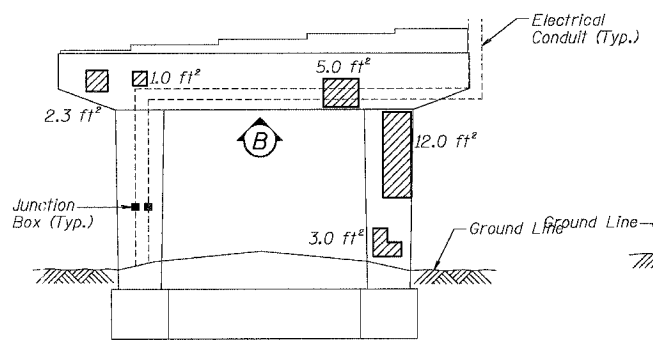
**PIER 36 - NORTH ELEVATION**  
(Looking South)



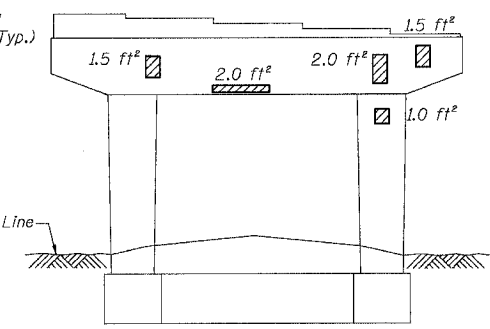
**PIER 36 - SOUTH ELEVATION**  
(Looking North)



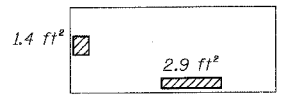
**PIER 37 - VIEW B**  
(Looking up at bottom of cap)



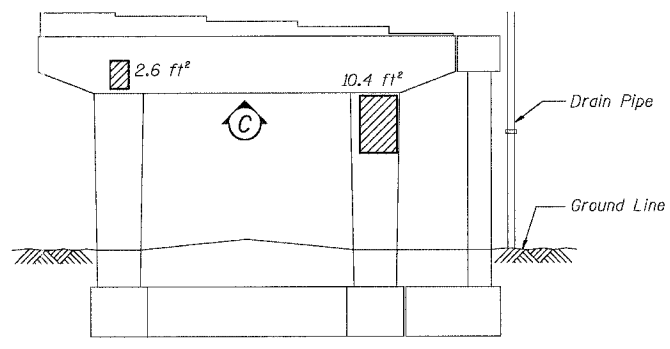
**PIER 37 - NORTH ELEVATION**  
(Looking South)



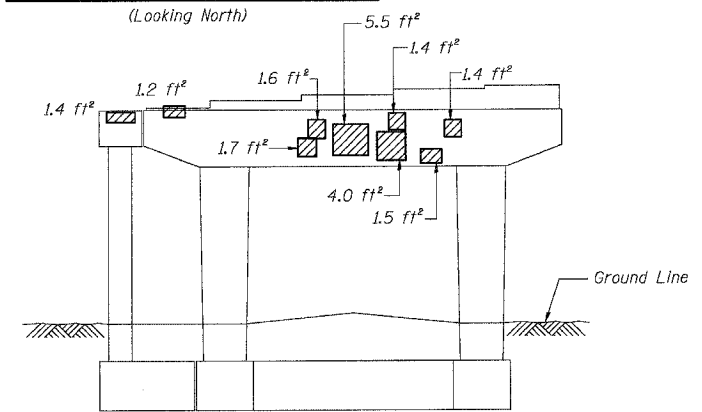
**PIER 37 - SOUTH ELEVATION**  
(Looking North)



**PIER 38 - VIEW C**  
(Looking up at bottom of cap)



**PIER 38 - NORTH ELEVATION**  
(Looking South)



**PIER 38 - SOUTH ELEVATION**  
(Looking North)

**BILL OF MATERIAL**

ITEM	UNIT	QUANTITY
High Performance Enhanced Shotcrete	SQ. FT.	177.1
Epoxy Crack Sealing	FOOT	1.2

REVISIONS	NAME	DATE

ILLINOIS DEPARTMENT OF TRANSPORTATION  
 F.A.I. 94/90 (DAN RYAN EXPRESSWAY)  
 NB DAN RYAN ELEVATED BRIDGE  
 REPAIR FROM 15TH TO 28TH STREETS  
 CONCRETE PIER REPAIRS  
 SN 016-1059, PIERS 33,34,35,36,37,38  
 SCALE: NTS  
 DATE: 7/22/2005  
 DRAWN BY: BDC  
 CHECKED BY: BLU

BOWMAN, BARRETT & ASSOCIATES INC.  
 CONSULTING ENGINEERS  
 Chicago, Illinois  
 312.228.0100  
 www.bbainc.com

For Notes and Legend See Sheet 253