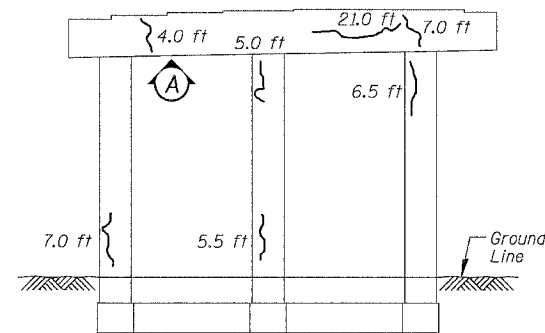
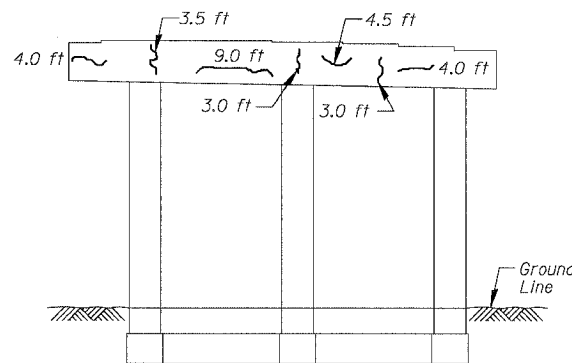


F.A.I.	SECTION	COUNTY	TOTAL SHEETS	SHEET NO.
94/90	2003-028F	COOK	419	271
STA.	TO STA.			
FED. ROAD DIST. NO.	ILLINOIS	FED. AID PROJECT		

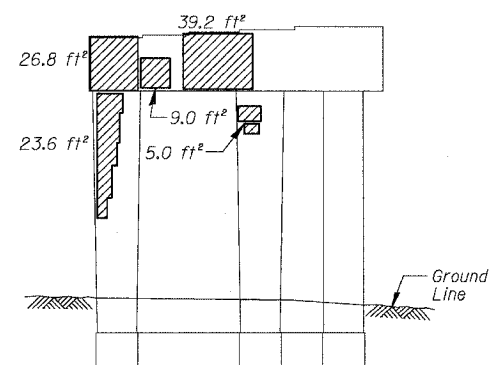
62580



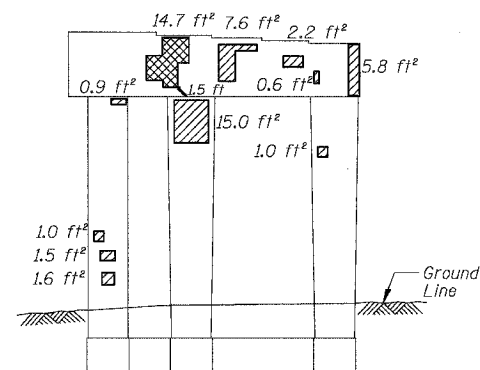
PIER 22 - NORTH ELEVATION
(Looking South)



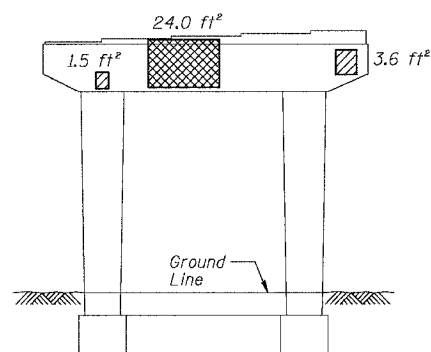
PIER 22 - SOUTH ELEVATION
(Looking North)



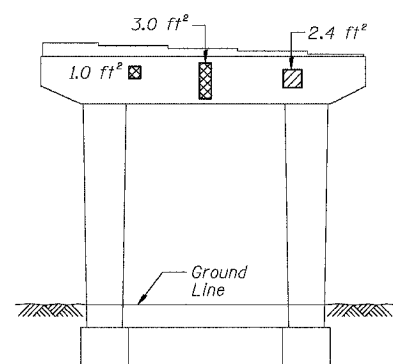
PIER 23 - NORTH ELEVATION
(Looking South)



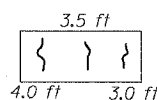
PIER 23 - SOUTH ELEVATION
(Looking North)



PIER 25 - NORTH ELEVATION
(Looking South)

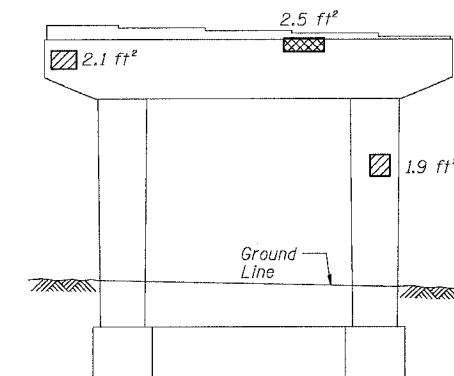


PIER 25 - SOUTH ELEVATION
(Looking North)

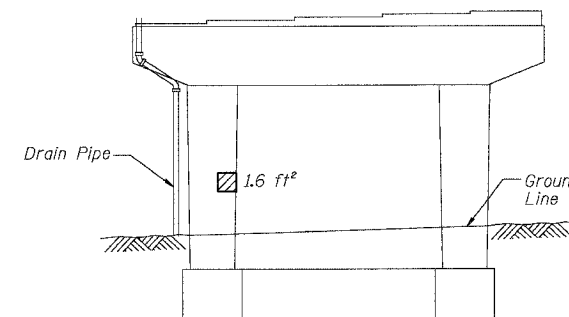


PIER 22 - VIEW A

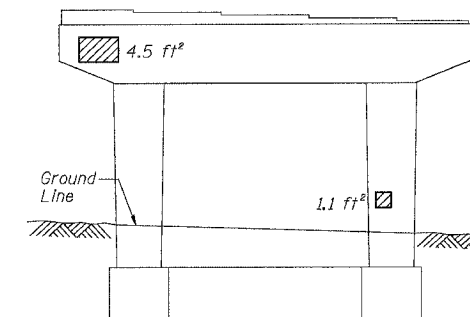
Looking up at bottom of cap



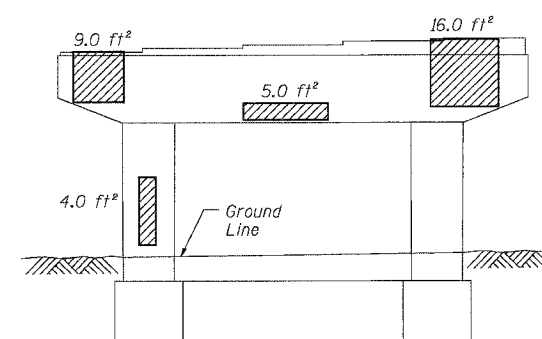
PIER 26 - SOUTH ELEVATION
(Looking North)



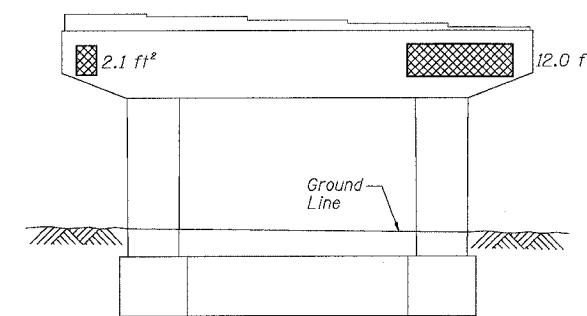
PIER 27 - NORTH ELEVATION
(Looking South)



PIER 27 - SOUTH ELEVATION
(Looking North)



PIER 28 - NORTH ELEVATION
(Looking South)



PIER 28 - SOUTH ELEVATION
(Looking North)

BILL OF MATERIAL

ITEM	UNIT	QUANTITY
High Performance Enhanced Shotcrete	SQ. FT.	222.6
Formed Concrete Repair (Depth greater than 5")	SQ. FT.	68.2
Epoxy Crack Sealing	FOOT	113.9

REVISIONS NAME	DATE

ILLINOIS DEPARTMENT OF TRANSPORTATION
F.A.I. 94/90 (DAN RYAN EXPRESSWAY)
NB DAN RYAN ELEVATED BRIDGE
REPAIR FROM 15TH TO 28TH STREETS
CONCRETE PIER REPAIRS
SN 016-1047, PIERS 22,23,25,26,27,28
SCALE: NTS
DATE: 8/12/2005
DRAWN BY: BDC
CHECKED BY: BLU

BOWMAN, BARRETT & ASSOCIATES INC.
CONSULTING ENGINEERS
Chicago, Illinois
312.228.0100
www.bbainc.com

For Notes and Legend See Sheet 253

9:36:48 AM
8/17/2005