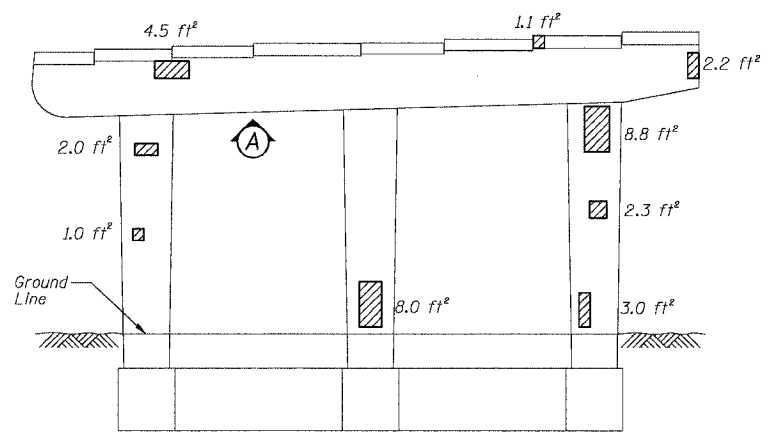
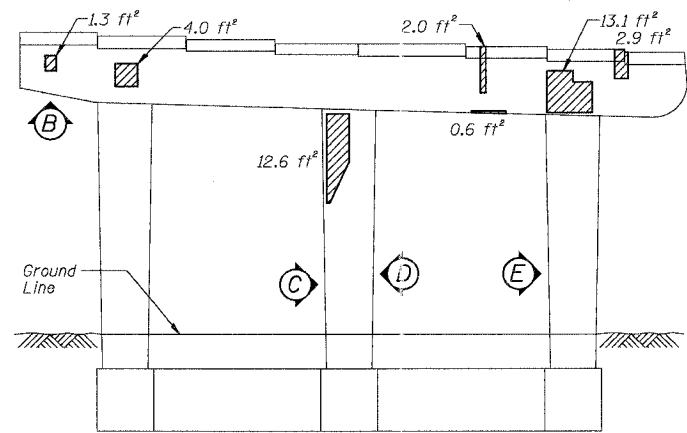


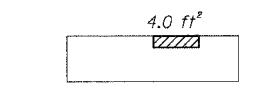
F.A.I.	SECTION	COUNTY	TOTAL SHEETS	SHEET NO.
94/90	2003-028F	COOK	419	274
STA.	TO STA.			
FED. ROAD DIST. NO.	ILLINOIS	FED. AID PROJECT		
62580				



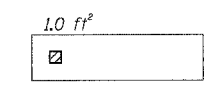
PIER D-9 - NORTH ELEVATION
(Looking South)



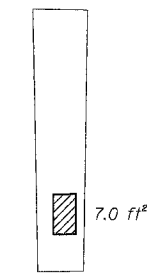
PIER D-9 - SOUTH ELEVATION
(Looking North)



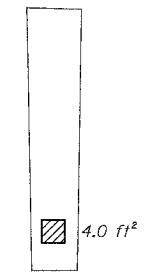
PIER D-9 - VIEW A
Looking up at bottom of cap



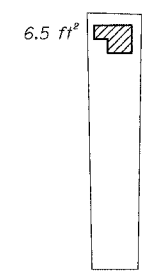
PIER D-9 - VIEW B
Looking up at bottom of cap



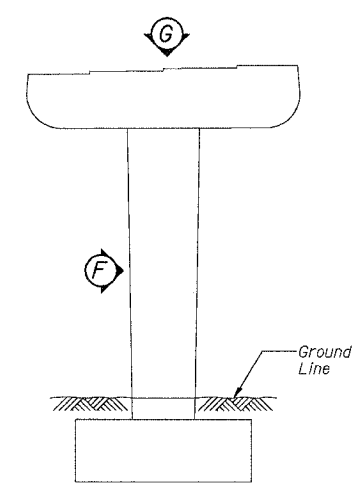
PIER D-9 - VIEW C
Looking East at side of column



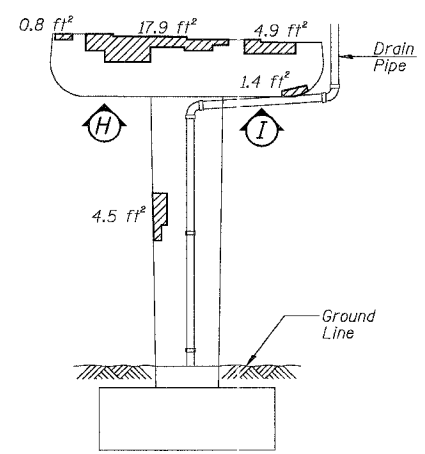
PIER D-9 - VIEW D
Looking West at side of column



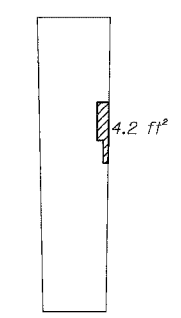
PIER D-9 - VIEW E
Looking East at side of column



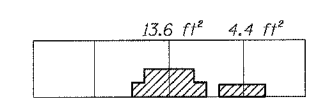
PIER D-8 - NORTH ELEVATION
(Looking South)



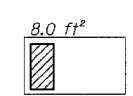
PIER D-8 - SOUTH ELEVATION
(Looking North)



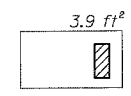
PIER D-8 - VIEW F
Looking West at side of column



PIER D-8 - VIEW G
Looking down at top of seat



PIER D-8 - VIEW H
Looking up at bottom of cap



PIER D-8 - VIEW I
Looking up at bottom of cap

BILL OF MATERIAL

ITEM	UNIT	QUANTITY
High Performance Enhanced Shotcrete	SQ. FT.	178.9

REVISIONS NAME	DATE

ILLINOIS DEPARTMENT OF TRANSPORTATION
 F.A.I. 94/90 (DAN RYAN EXPRESSWAY)
 NB DAN RYAN ELEVATED BRIDGE
 REPAIR FROM 15TH TO 28TH STREETS
 CONCRETE PIER REPAIRS
 SN 016-1113, PIERS D-8,D-9
 SCALE: NTS
 DATE: 7/22/2005
 DRAWN BY: BDC
 CHECKED BY: BLU

BOWMAN, BARRETT & ASSOCIATES INC.
 CONSULTING ENGINEERS
 Chicago, Illinois
 312.228.0100
 www.bbainc.com

For Notes and Legend See Sheet 253