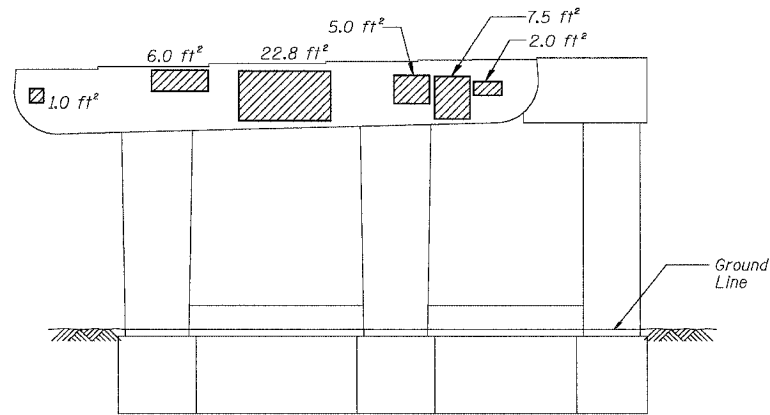
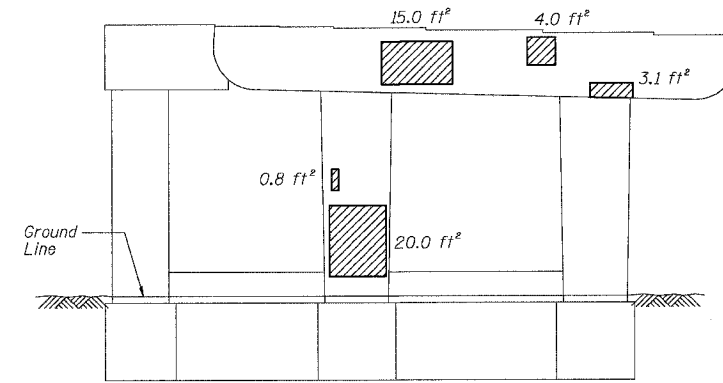


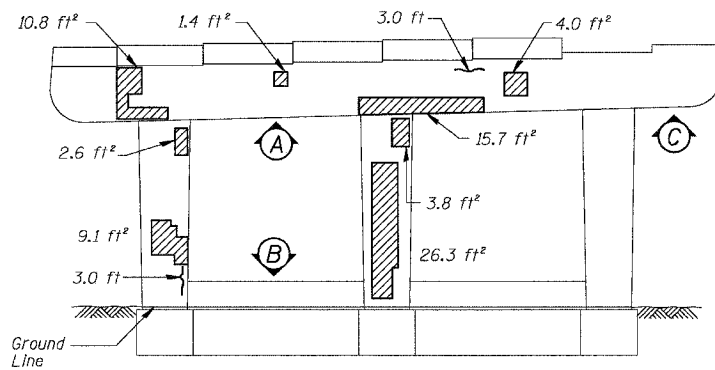
F.A.I.	SECTION	COUNTY	TOTAL SHEETS	SHEET NO.
94/90	2003-028F	COOK	419	275
STA.	TO STA.			
FED. ROAD DIST. NO.	ILLINOIS FED. AID PROJECT			
62580				



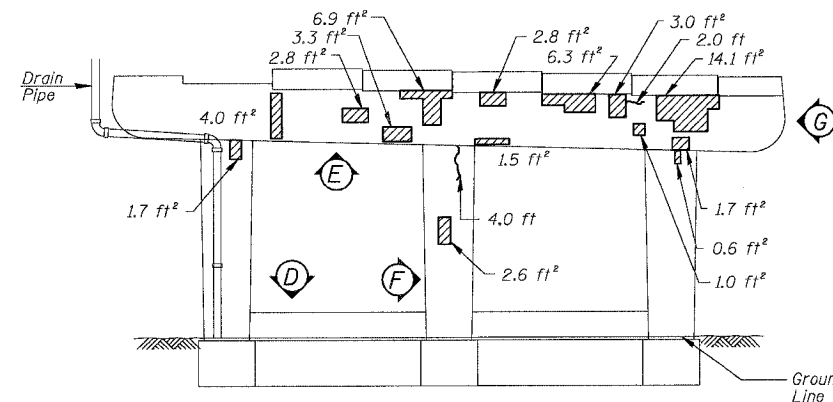
**PIER D-11 - NORTH ELEVATION**  
(Looking South)



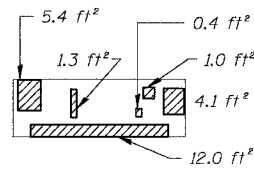
**PIER D-11 - SOUTH ELEVATION**  
(Looking North)



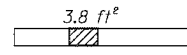
**PIER D-10 - NORTH ELEVATION**  
(Looking South)



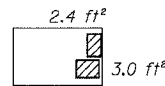
**PIER D-10 - SOUTH ELEVATION**  
(Looking North)



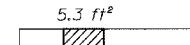
**PIER D-10 - VIEW A**  
Looking up at bottom of cap



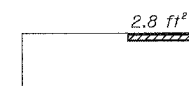
**PIER D-10 - VIEW B**  
Looking down at top of grade beam



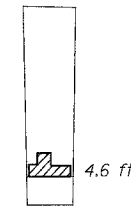
**PIER D-10 - VIEW C**  
Looking up at bottom of cap



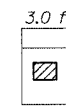
**PIER D-10 - VIEW D**  
Looking down at top of grade beam



**PIER D-10 - VIEW E**  
Looking up at bottom of cap



**PIER D-10 - VIEW F**  
Looking East at side of column



**PIER D-10 - VIEW G**  
Looking West at end of cap

**BILL OF MATERIAL**

ITEM	UNIT	QUANTITY
High Performance Enhanced Shotcrete	SQ. FT.	301.6
Epoxy Crack Sealing	FOOT	13.8

REVISIONS NAME	DATE

ILLINOIS DEPARTMENT OF TRANSPORTATION  
F.A.I. 94/90 (DAN RYAN EXPRESSWAY)  
NB DAN RYAN ELEVATED BRIDGE  
REPAIR FROM 15TH TO 28TH STREETS  
CONCRETE PIER REPAIRS  
SN 016-1113, PIERS D-10,D-11  
SCALE: NTS  
DATE: 7/22/2005  
DRAWN BY: BDC  
CHECKED BY: BLU

BOWMAN, BARRETT & ASSOCIATES INC.  
CONSULTING ENGINEERS  
Chicago, Illinois  
312.228.0100  
www.bbainc.com

For Notes and Legend See Sheet 253