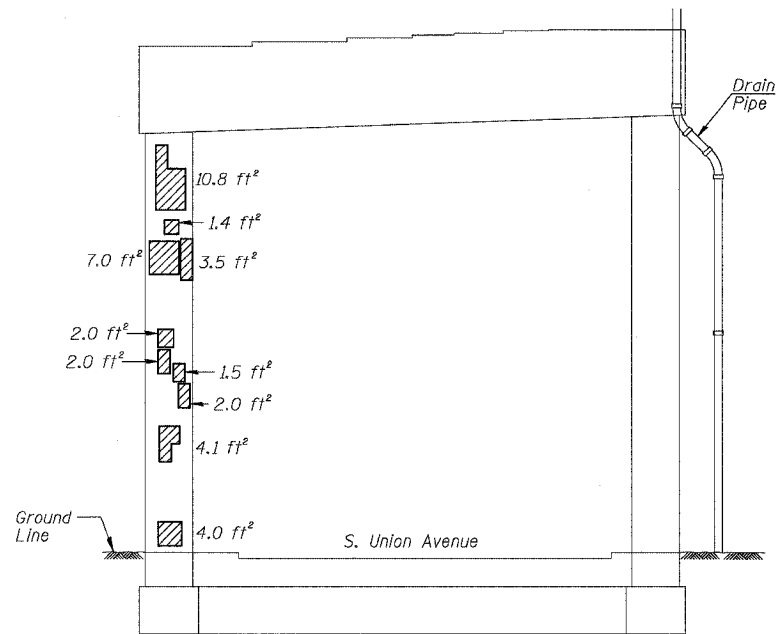
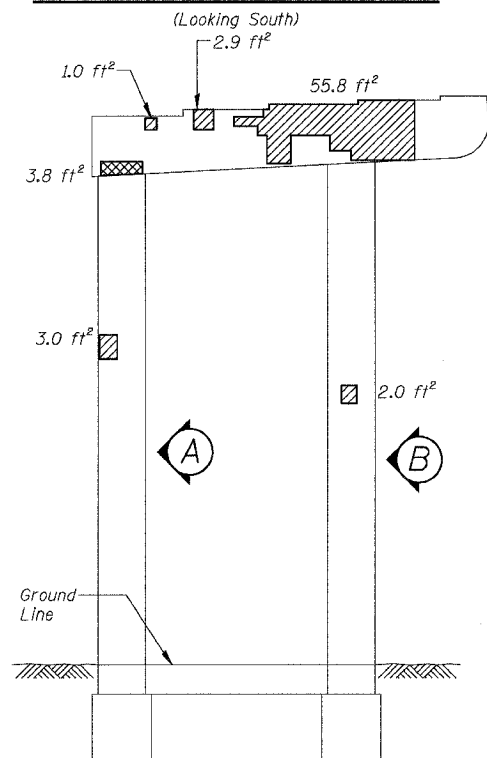


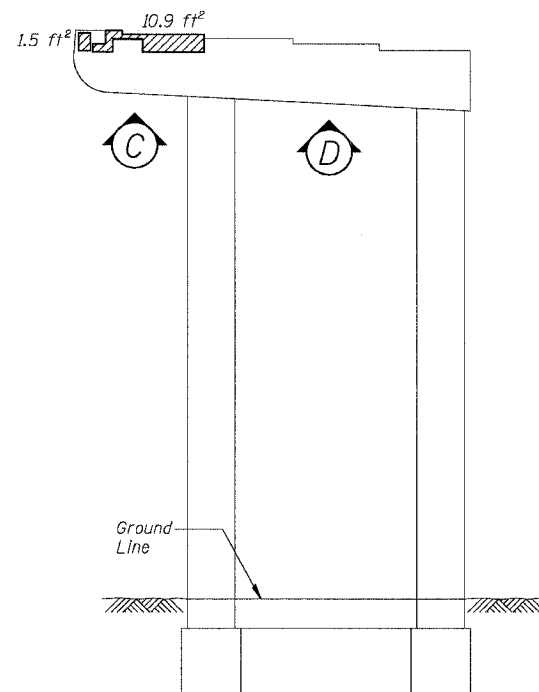
F.A.I.	SECTION	COUNTY	TOTAL SHEETS	SHEET NO.
94/90	2003-028F	COOK	419	276
STA.		TO STA.		
FED. ROAD DIST. NO.		ILLINOIS	FED. AID PROJECT	
62580				



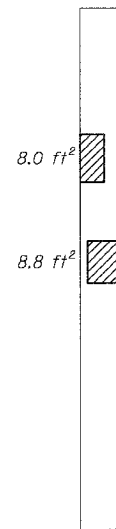
PIER C-3 - NORTH ELEVATION



PIER C-2 - NORTH ELEVATION
(Looking South)

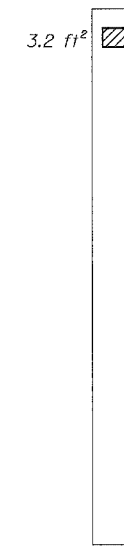


PIER C-2 - SOUTH ELEVATION
(Looking North)



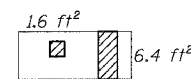
PIER C-2 - VIEW A

Looking East at side of column



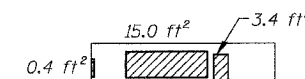
PIER C-2 - VIEW B

Looking East at side of column



PIER C-2 - VIEW C

Looking up at bottom of cap



PIER C-2 - VIEW D

Looking up at bottom of cap

BILL OF MATERIAL

ITEM	UNIT	QUANTITY
High Performance Enhanced Shotcrete	SQ. FT.	186.5
Formed Concrete Repair (Depth Greater than 5")	SQ. FT.	4.4

REVISIONS	
NAME	DATE

ILLINOIS DEPARTMENT OF TRANSPORTATION
 F.A.I. 94/90 (DAN RYAN EXPRESSWAY)
 NB DAN RYAN ELEVATED BRIDGE
 REPAIR FROM 15TH TO 28TH STREETS
 CONCRETE PIER REPAIRS
 SN 016-1113, PIERS C-2,C-3
 SCALE: NTS
 DATE: 8/12/2005
 DRAWN BY: BDC
 CHECKED BY: BLU

BOWMAN, BARRETT & ASSOCIATES INC.
 CONSULTING ENGINEERS
 Chicago, Illinois
 312.228.0100
 www.bbainc.com

For Notes and Legend See Sheet 2'53

8/17/2005 9:36:03 AM
 P:\650\CONTR\10\REV\3\SHEETS\660_13_016-1113-PIER C-2.dgn