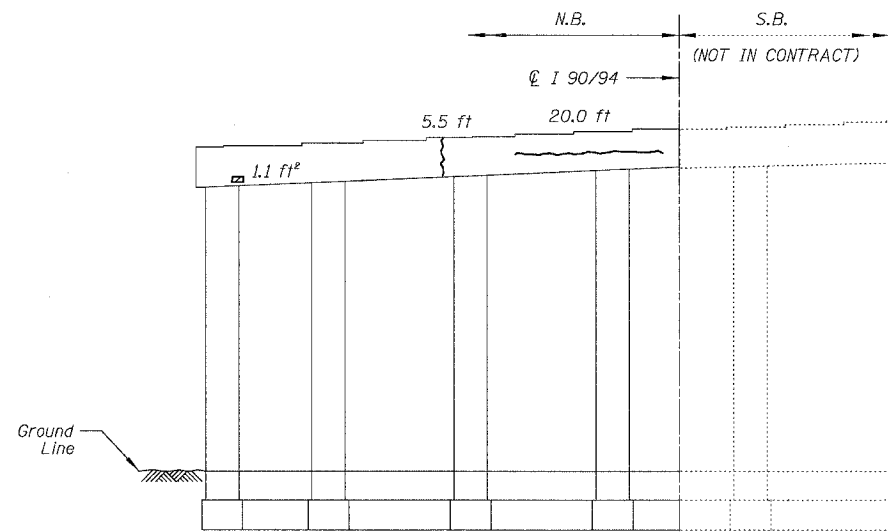
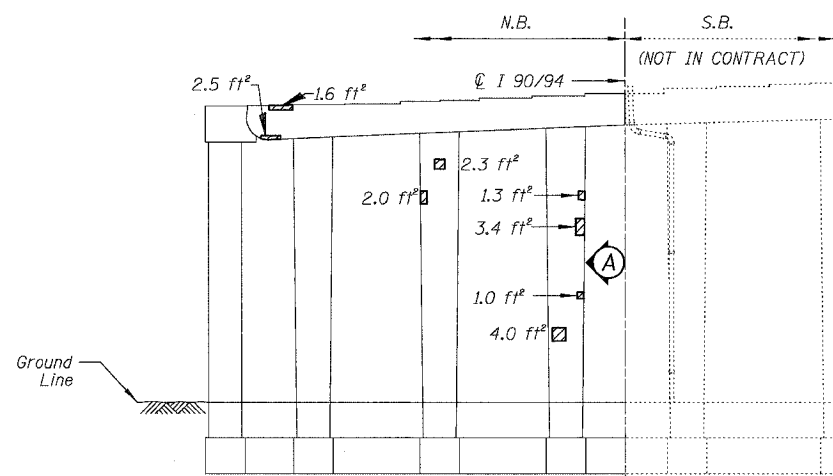


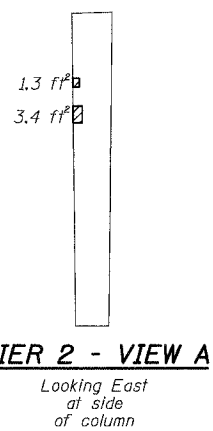
| | | | | |
|---------------------|-----------|---------------------------|--------------|-----------|
| F.A.I. | SECTION | COUNTY | TOTAL SHEETS | SHEET NO. |
| 94/90 | 2003-028F | COOK | 419 | 279 |
| STA. | | TO STA. | | |
| FED. ROAD DIST. NO. | | ILLINOIS FED. AID PROJECT | | |
| 62580 | | | | |



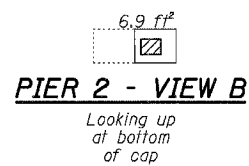
PIER 3 - NORTH ELEVATION
(Looking South)



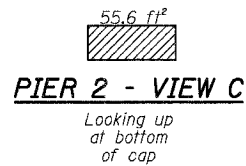
PIER 2 - NORTH ELEVATION
(Looking South)



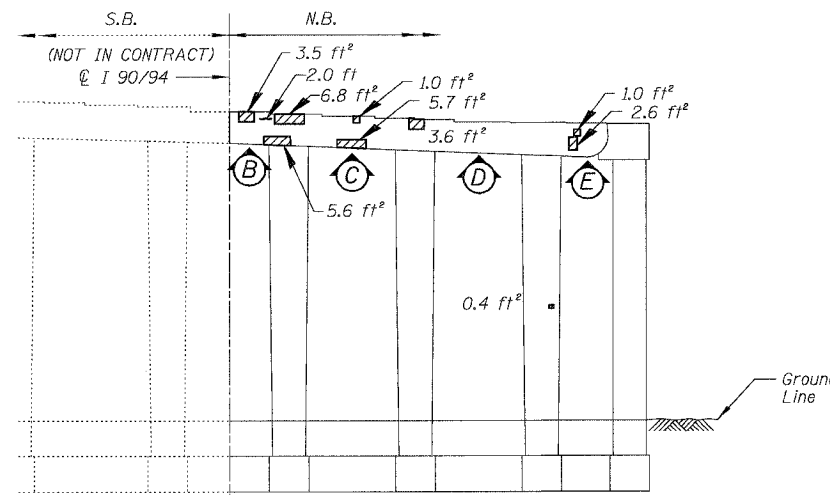
PIER 2 - VIEW A
Looking East
at side
of column



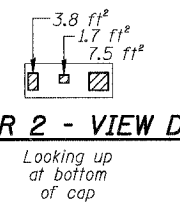
PIER 2 - VIEW B
Looking up
at bottom
of cap



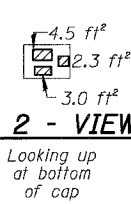
PIER 2 - VIEW C
Looking up
at bottom
of cap



PIER 2 - SOUTH ELEVATION
(Looking North)



PIER 2 - VIEW D
Looking up
at bottom
of cap



PIER 2 - VIEW E
Looking up
at bottom
of cap

BILL OF MATERIAL

| ITEM | UNIT | QUANTITY |
|-------------------------------------|---------|----------|
| High Performance Enhanced Shotcrete | SQ. FT. | 160.3 |
| Epoxy Crack Sealing | FOOT | 31.6 |

| REVISIONS | |
|-----------|------|
| NAME | DATE |
| | |
| | |
| | |
| | |

ILLINOIS DEPARTMENT OF TRANSPORTATION
F.A.I. 94/90 (DAN RYAN EXPRESSWAY)
NB DAN RYAN ELEVATED BRIDGE
REPAIR FROM 15TH TO 28TH STREETS
CONCRETE PIER REPAIRS
SN 016-1113, PIERS 2,3

SCALE: NTS
DATE: 8/12/2005

DRAWN BY: BDC
CHECKED BY: BLU

BOWMAN, BARRETT & ASSOCIATES INC.
CONSULTING ENGINEERS
Chicago, Illinois
312.228.0100
www.bbainc.com

For Notes and Legend See Sheet 253

9/5/2005 9:56:20 AM