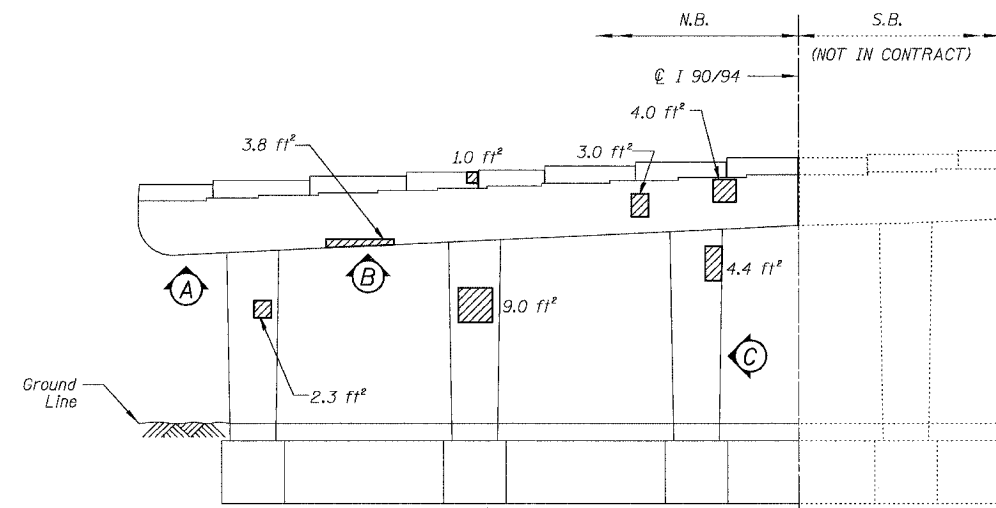
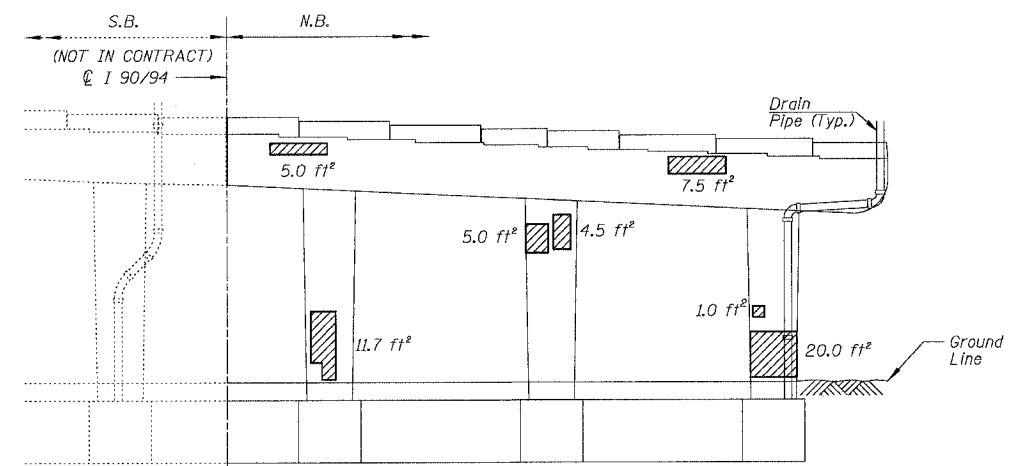


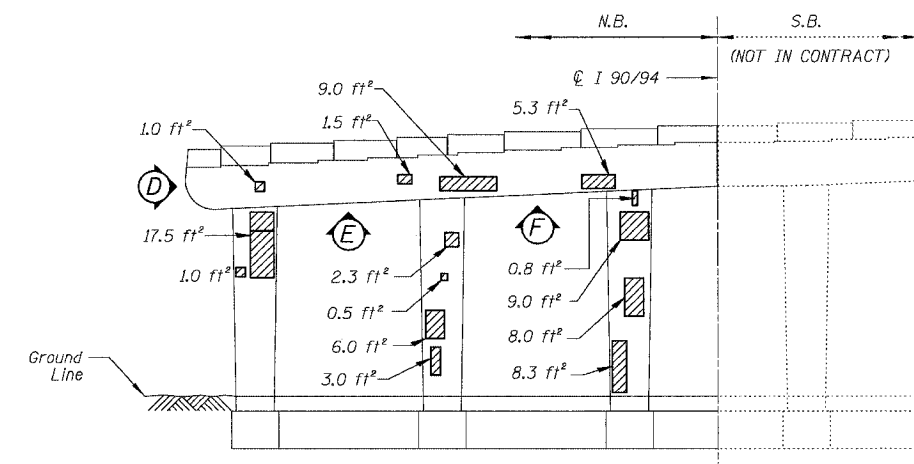
F.A.I.	SECTION	COUNTY	TOTAL SHEETS	SHEET NO.
94/90	2003-028F	COOK	419	282
STA.	TO STA.			
FED. ROAD DIST. NO.	ILLINOIS	FED. AID PROJECT		
62580				



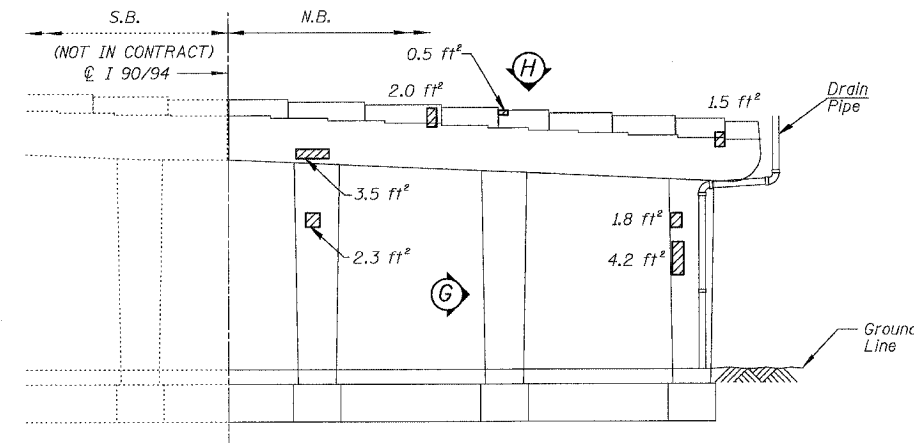
PIER 11 - NORTH ELEVATION
(Looking South)



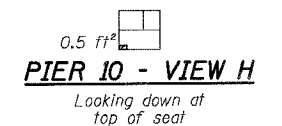
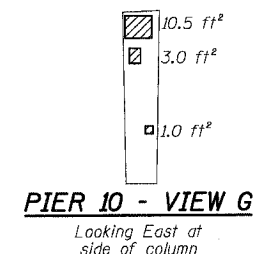
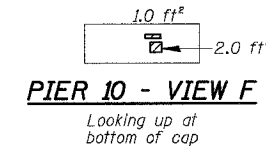
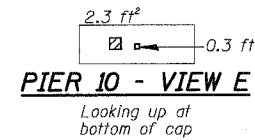
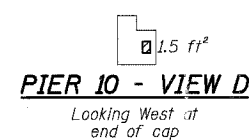
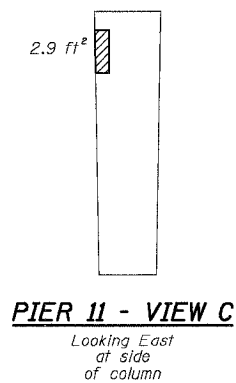
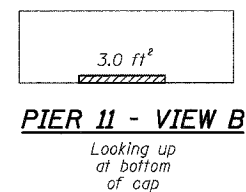
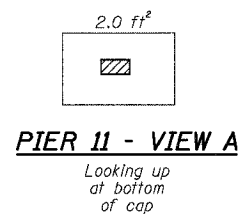
PIER 11 - SOUTH ELEVATION
(Looking North)



PIER 10 - NORTH ELEVATION
(Looking South)



PIER 10 - SOUTH ELEVATION
(Looking North)



BOWMAN, BARRETT & ASSOCIATES INC.
CONSULTING ENGINEERS
Chicago, Illinois
312.228.0100
www.bbainc.com

For Notes and Legend See Sheet 253

BILL OF MATERIAL

ITEM	UNIT	QUANTITY
High Performance Enhanced Shotcrete	SQ. FT.	231.4

REVISIONS	DATE
NAME	

ILLINOIS DEPARTMENT OF TRANSPORTATION
F.A.I. 94/90 (DAN RYAN EXPRESSWAY)
NB DAN RYAN ELEVATED BRIDGE
REPAIR FROM 15TH TO 28TH STREETS
CONCRETE PIER REPAIRS
SN 016-1113, PIERS 10,11
SCALE: NTS
DATE: 7/22/2005
DRAWN BY: BDC
CHECKED BY: BLU