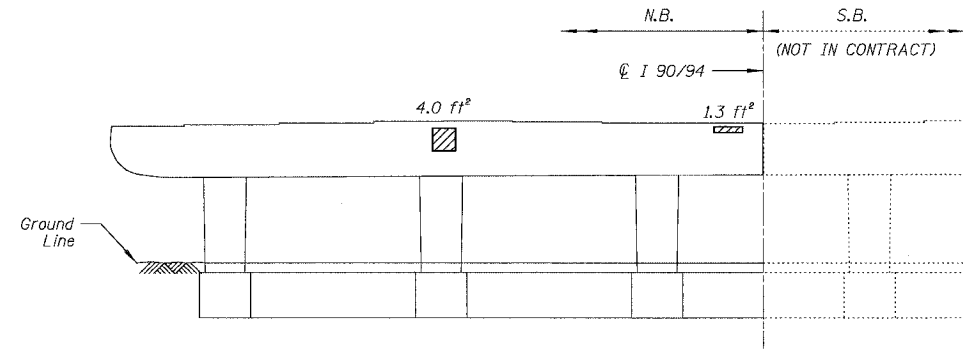
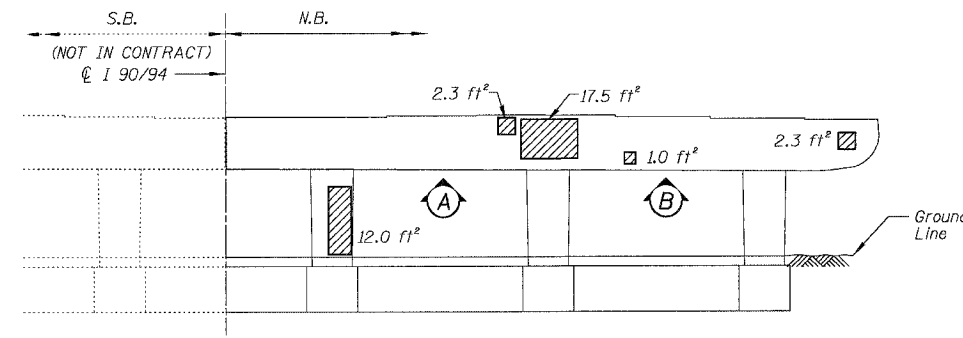


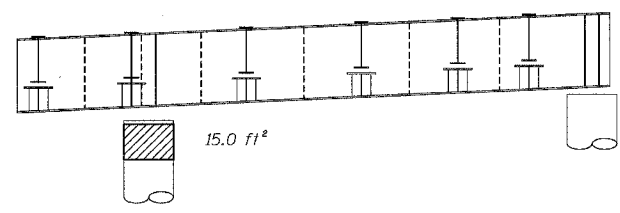
F.A.I.	SECTION	COUNTY	TOTAL SHEETS	SHEET NO.
94/90	2003-028F	COOK	419	284
STA.	TO STA.			
FED. ROAD DIST. NO.	ILLINOIS FED. AID PROJECT			
<b>62580</b>				



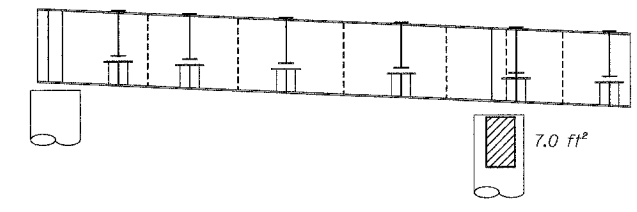
**PIER 16 - NORTH ELEVATION**  
(Looking South)



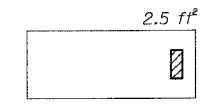
**PIER 16 - SOUTH ELEVATION**  
(Looking North)



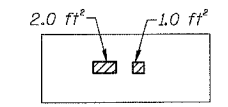
**PIER C-18 - NORTH ELEVATION**  
(Looking South)  
Repairs are around the column.



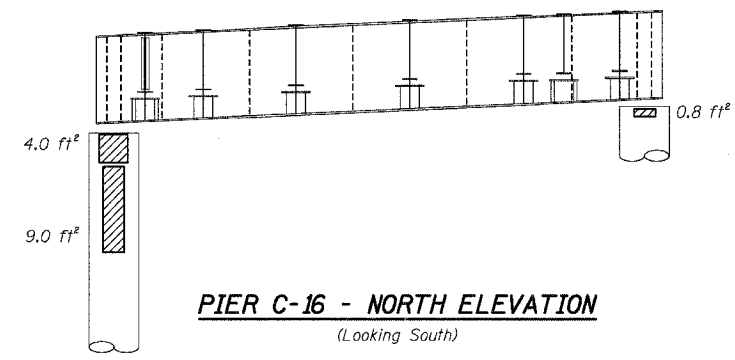
**PIER C-18 - SOUTH ELEVATION**  
(Looking North)



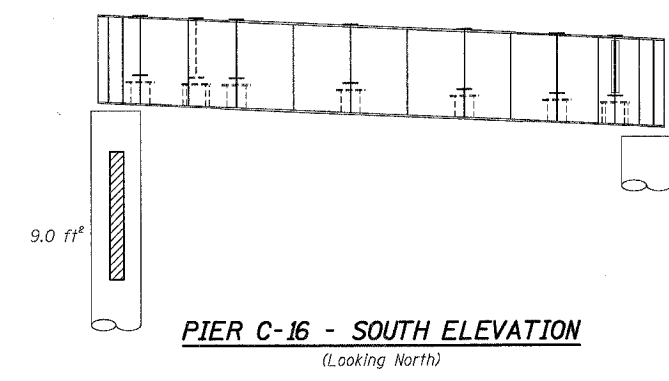
**PIER 16 - VIEW A**  
Looking up at bottom of cap



**PIER 16 - VIEW B**  
Looking up at bottom of cap



**PIER C-16 - NORTH ELEVATION**  
(Looking South)



**PIER C-16 - SOUTH ELEVATION**  
(Looking North)

**BILL OF MATERIAL**

ITEM	UNIT	QUANTITY
High Performance Enhanced Shotcrete	SQ. FT.	104.4

REVISIONS NAME	DATE

ILLINOIS DEPARTMENT OF TRANSPORTATION  
F.A.I. 94/90 (DAN RYAN EXPRESSWAY)  
NB DAN RYAN ELEVATED BRIDGE  
REPAIR FROM 15TH TO 28TH STREETS  
CONCRETE PIER REPAIRS  
SN 016-1112, PIERS 16, C-18, C-16  
SCALE: NTS  
DATE: 7/22/2005  
DRAWN BY: BDC  
CHECKED BY: BLU

BOWMAN, BARRETT & ASSOCIATES INC.  
CONSULTING ENGINEERS  
Chicago, Illinois  
312.228.0100  
www.bbainc.com

For Notes and Legend See Sheet 253