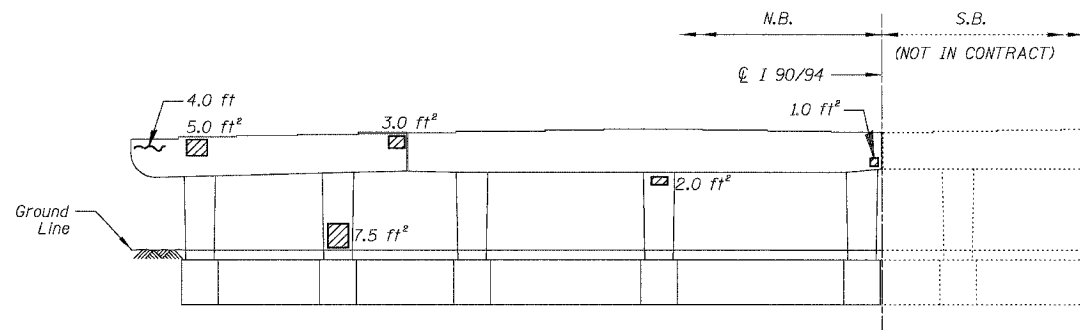
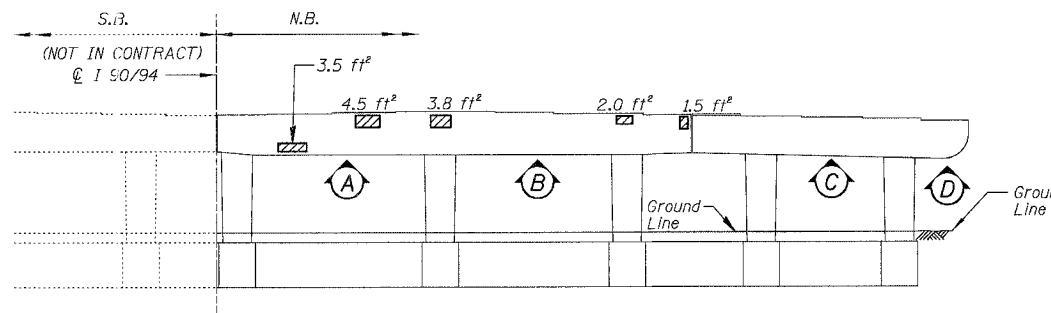


| | | | | |
|---------------------|-----------|------------------|--------------|-----------|
| F.A.I. | SECTION | COUNTY | TOTAL SHEETS | SHEET NO. |
| 94/90 | 2003-028F | COOK | 419 | 285 |
| STA. | TO STA. | | | |
| FED. ROAD DIST. NO. | ILLINOIS | FED. AID PROJECT | | |

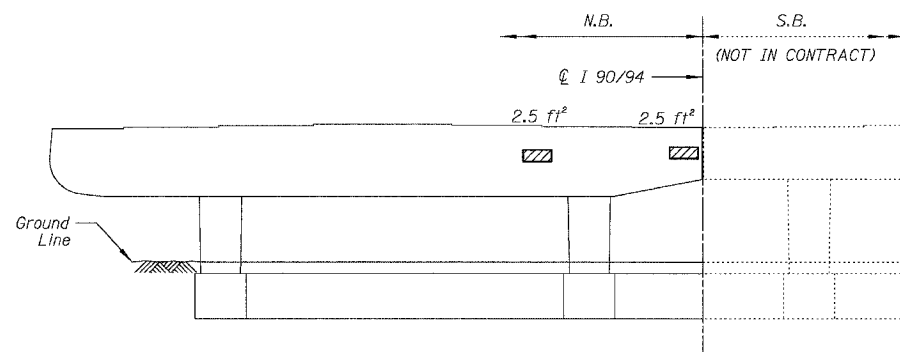
62580



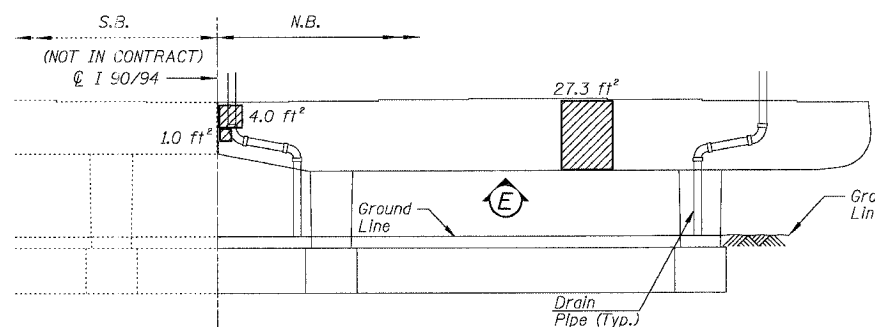
PIER 20 - NORTH ELEVATION
(Looking South)



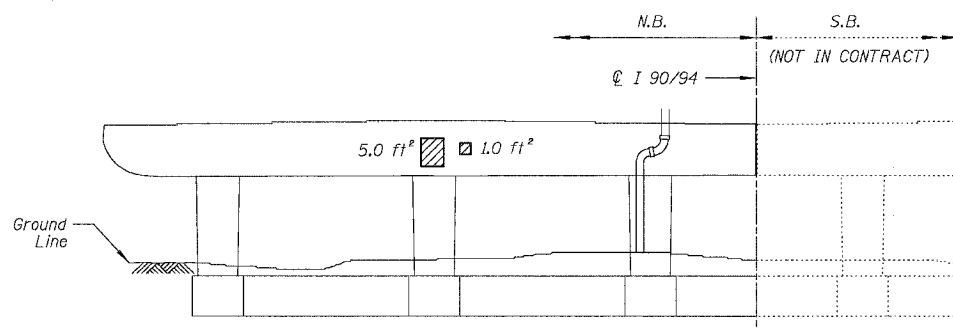
PIER 20 - SOUTH ELEVATION
(Looking North)



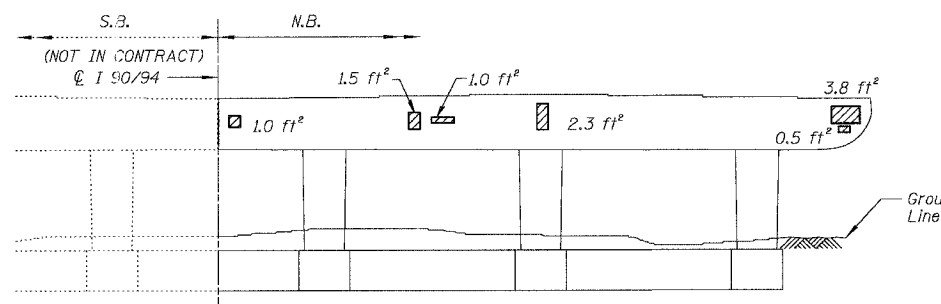
PIER 18 - NORTH ELEVATION
(Looking South)



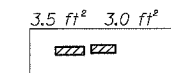
PIER 18 - SOUTH ELEVATION
(Looking North)



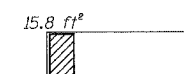
PIER 17 - NORTH ELEVATION
(Looking South)



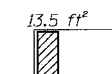
PIER 17 - SOUTH ELEVATION
(Looking North)



PIER 20 - VIEW A
Looking up at bottom of cap



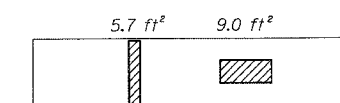
PIER 20 - VIEW B
Looking up at bottom of cap



PIER 20 - VIEW C
Looking up at bottom of cap



PIER 20 - VIEW D
Looking up at bottom of cap



PIER 18 - VIEW E
Looking up at bottom of cap

BILL OF MATERIAL

| ITEM | UNIT | QUANTITY |
|-------------------------------------|---------|----------|
| High Performance Enhanced Shotcrete | SQ. FT. | 157.2 |
| Epoxy Crack Sealing | FOOT | 4.6 |

| REVISIONS | NAME | DATE |
|-----------|------|------|
| | | |
| | | |
| | | |
| | | |
| | | |

ILLINOIS DEPARTMENT OF TRANSPORTATION
F.A.I. 94/90 (DAN RYAN EXPRESSWAY)
NB DAN RYAN ELEVATED BRIDGE
REPAIR FROM 15TH TO 28TH STREETS
CONCRETE PIER REPAIRS
SN 016-1112, PIERS 17,18,20
SCALE: NTS
DATE: 7/22/2005
DRAWN BY: BDC
CHECKED BY: BLU

BOWMAN, BARRETT & ASSOCIATES INC.
CONSULTING ENGINEERS
Chicago, Illinois
312.228.0100
www.bbainc.com

For Notes and Legend See Sheet 253