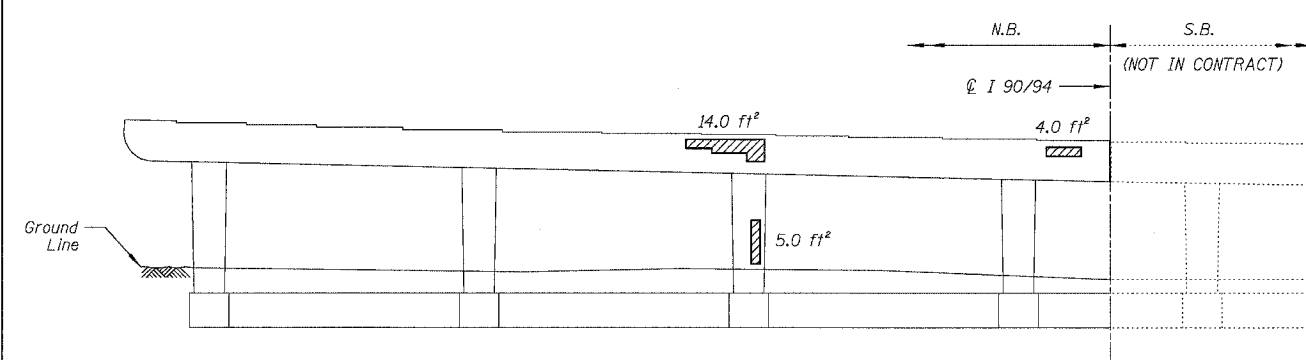
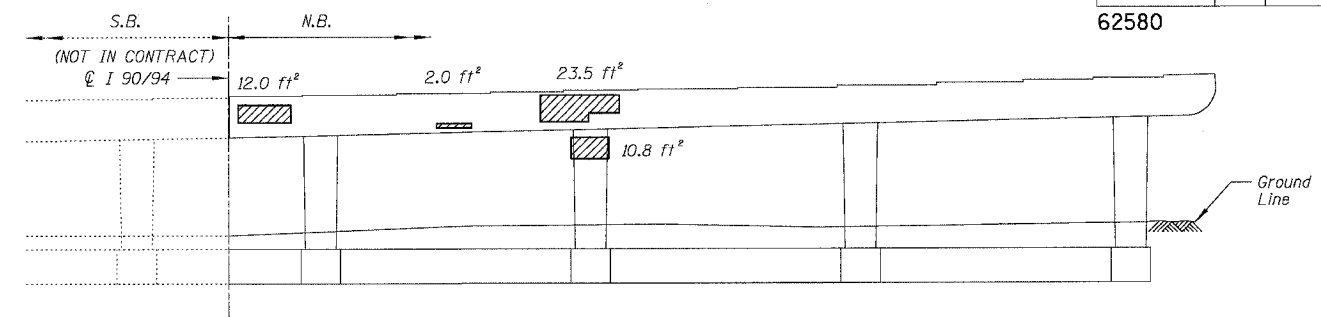


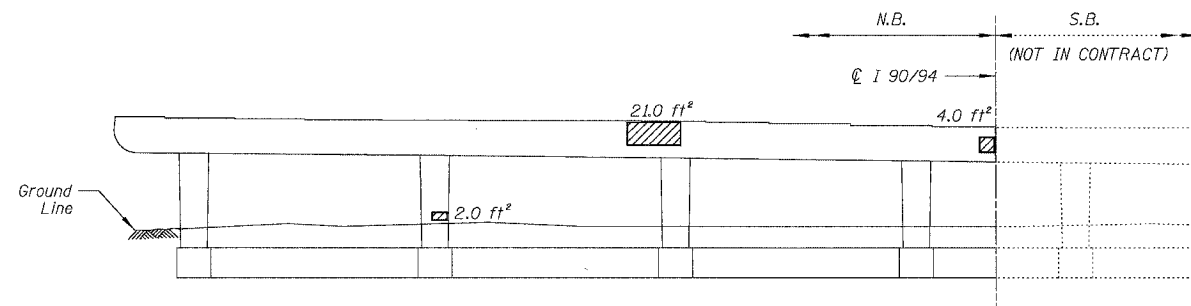
F.A.I.	SECTION	COUNTY	TOTAL SHEETS	SHEET NO.
94/90	2003-028F	COOK	419	286
STA.	TO STA.			
FED. ROAD DIST. NO.	ILLINOIS	FED. AID PROJECT		
62580				



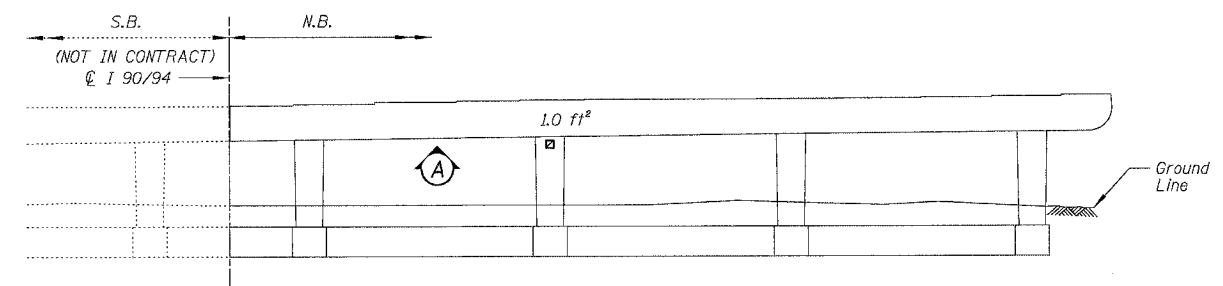
PIER 24 - NORTH ELEVATION
(Looking South)



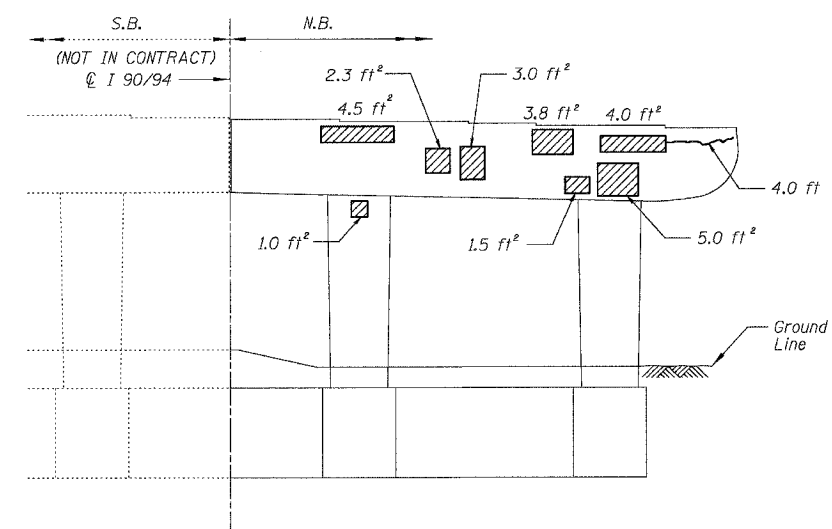
PIER 24 - SOUTH ELEVATION
(Looking North)



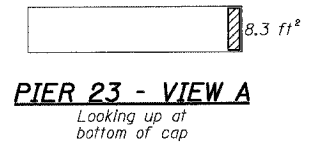
PIER 23 - NORTH ELEVATION
(Looking South)



PIER 23 - SOUTH ELEVATION
(Looking North)



PIER 21 - SOUTH ELEVATION
(Looking North)



PIER 23 - VIEW A
Looking up at bottom of cap

BILL OF MATERIAL

ITEM	UNIT	QUANTITY
High Performance Enhanced Shotcrete	SQ. FT.	152.6
Epoxy Crack Sealing	FOOT	4.6

REVISIONS	DATE
NAME	

ILLINOIS DEPARTMENT OF TRANSPORTATION
F.A.I. 94/90 (DAN RYAN EXPRESSWAY)
NB DAN RYAN ELEVATED BRIDGE
REPAIR FROM 15TH TO 28TH STREETS
CONCRETE PIER REPAIRS
SN 016-1112, PIERS 21,23,24
SCALE: NTS
DATE: 7/22/2005
DRAWN BY: BDC
CHECKED BY: BLU

BOWMAN, BARRETT & ASSOCIATES INC.
CONSULTING ENGINEERS
Chicago, Illinois
312.228.0100
www.bbainc.com

For Notes and Legend See Sheet 253