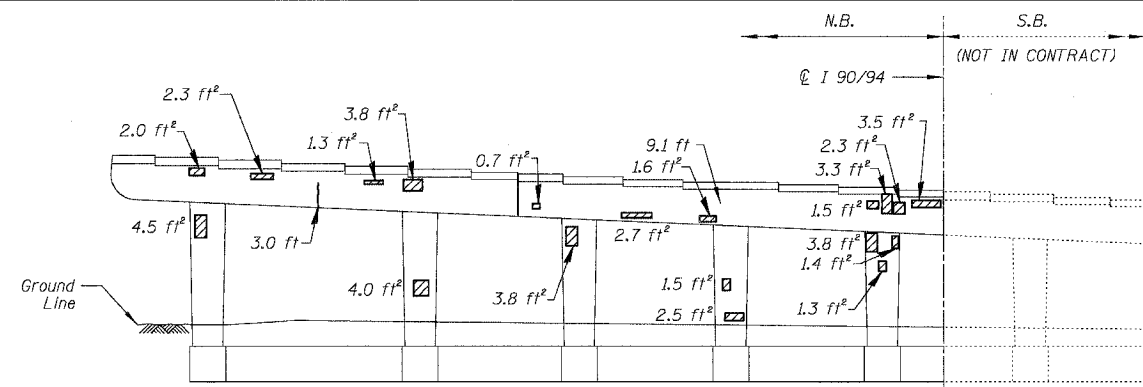
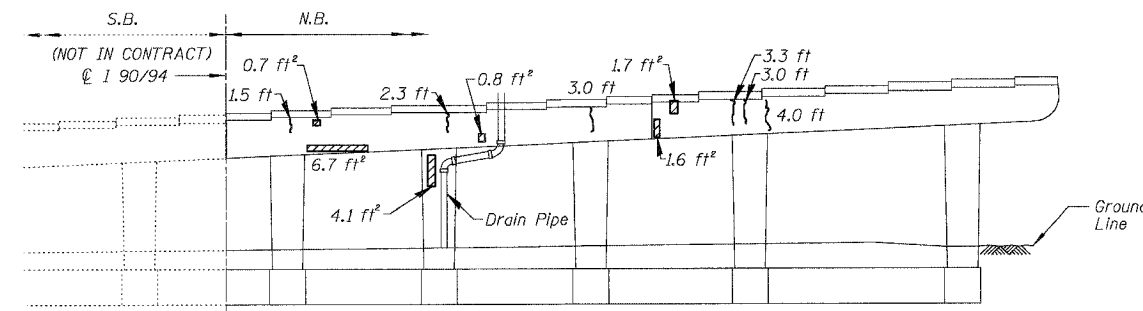


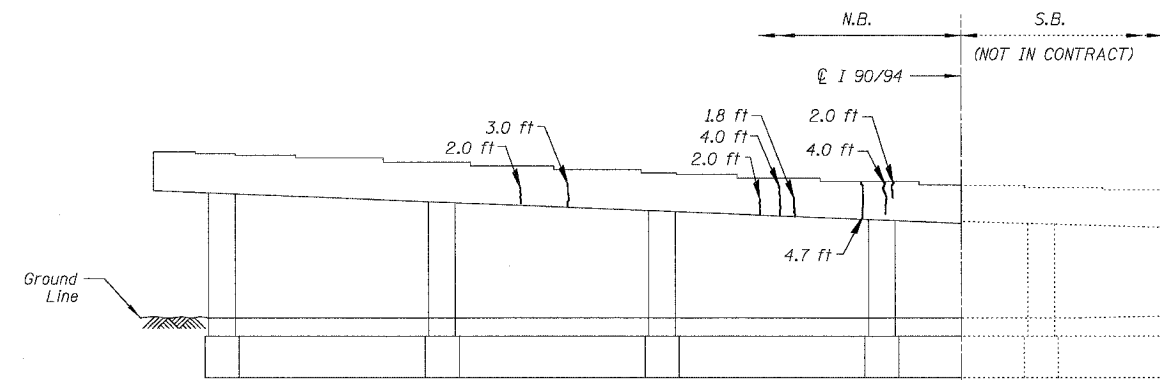
F.A.I.	SECTION	COUNTY	TOTAL SHEETS	SHEET NO.
94/90	2003-028F	COOK	419	287
STA.	TO STA.			
FED. ROAD DIST. NO.	ILLINOIS	FED. AID PROJECT		
62580				



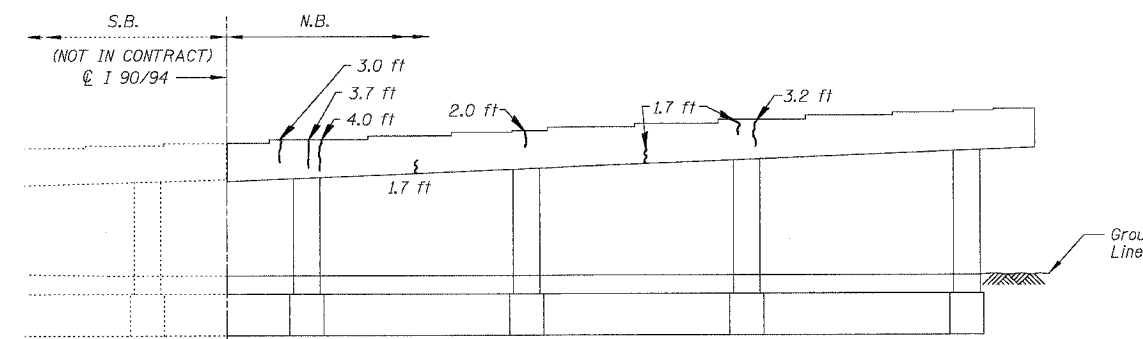
**PIER 28 - NORTH ELEVATION**  
(Looking South)



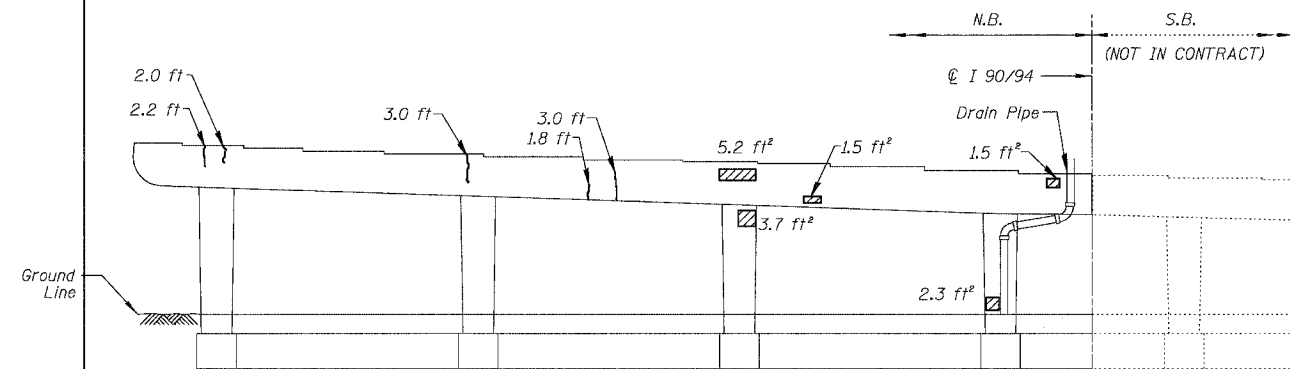
**PIER 28 - SOUTH ELEVATION**  
(Looking North)



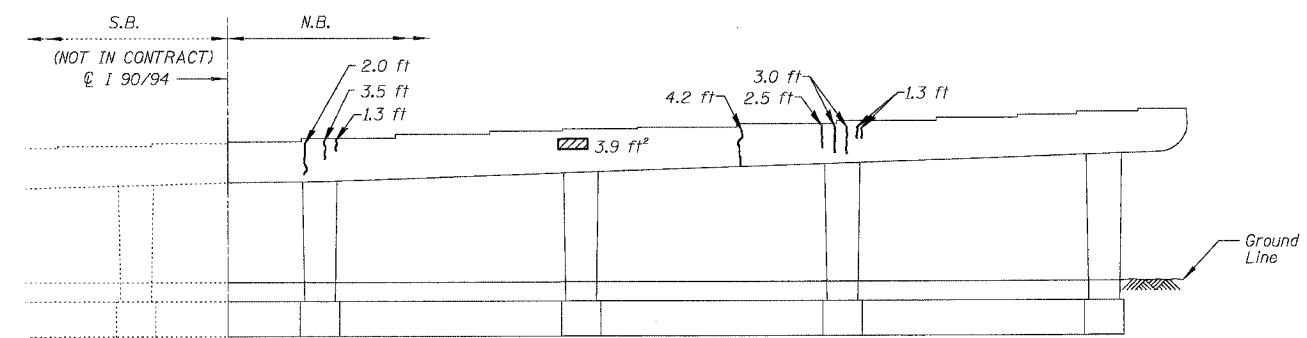
**PIER 26 - NORTH ELEVATION**  
(Looking South)



**PIER 26 - SOUTH ELEVATION**  
(Looking North)



**PIER 25 - NORTH ELEVATION**  
(Looking South)



**PIER 25 - SOUTH ELEVATION**  
(Looking North)

**BILL OF MATERIAL**

ITEM	UNIT	QUANTITY
High Performance Enhanced Shotcrete	SG. FT.	93.7
Epoxy Crack Sealing	FOOT	100.7

REVISIONS	
NAME	DATE

ILLINOIS DEPARTMENT OF TRANSPORTATION  
 F.A.I. 94/90 (DAN RYAN EXPRESSWAY)  
 NB DAN RYAN ELEVATED BRIDGE  
 REPAIR FROM 15TH TO 28TH STREETS  
 CONCRETE PIER REPAIRS  
 SN 016-1112, PIERS 25,26,28  
 SCALE: NTS  
 DATE: 7/22/2005  
 DRAWN BY: BDC  
 CHECKED BY: BLU

BOWMAN, BARRETT & ASSOCIATES INC.  
 CONSULTING ENGINEERS  
 Chicago, Illinois  
 312.228.0100  
 www.bbainc.com

For Notes and Legend See Sheet 253