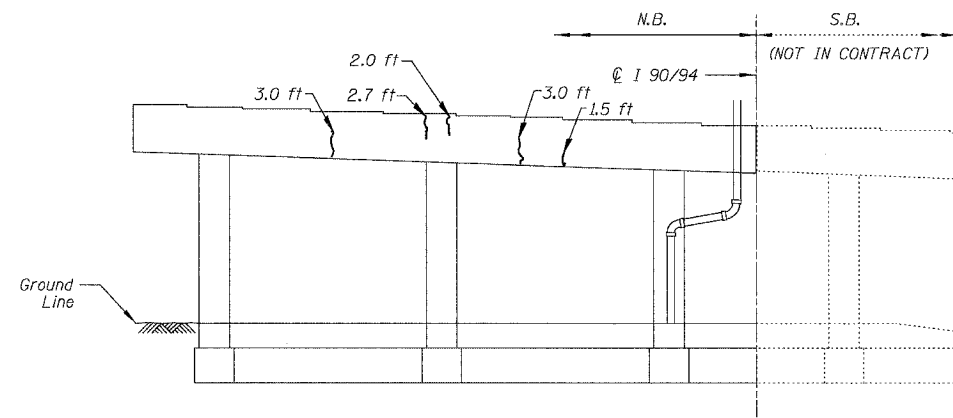
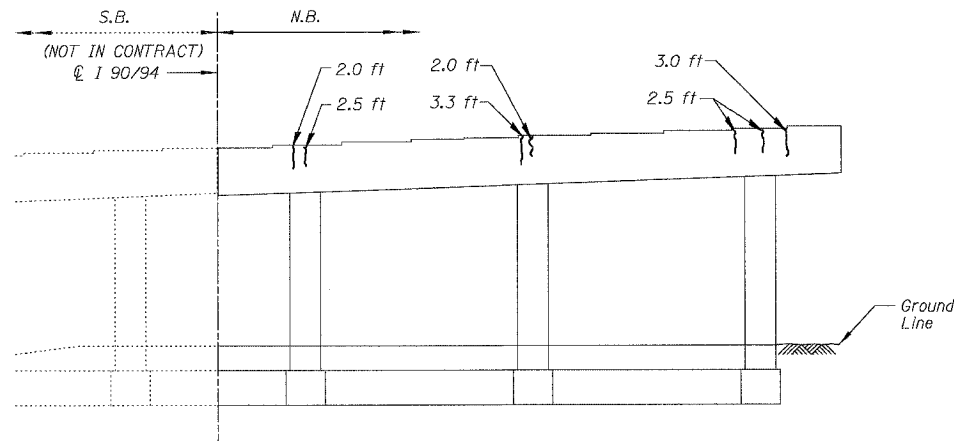


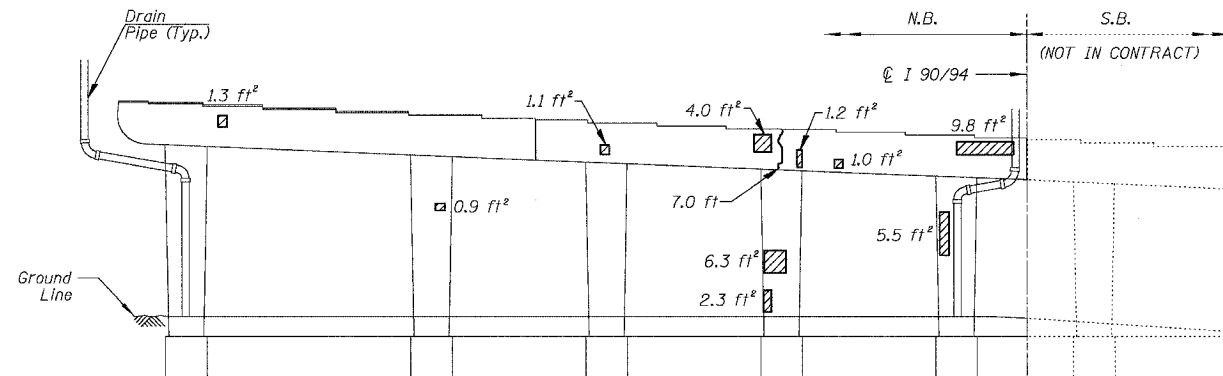
F.A.I.	SECTION	COUNTY	TOTAL SHEETS	SHEET NO.
94/90	2003-028F	COOK	419	288
STA.	TO STA.			
FED. ROAD DIST. NO.	ILLINOIS FED. AID PROJECT			
62580				



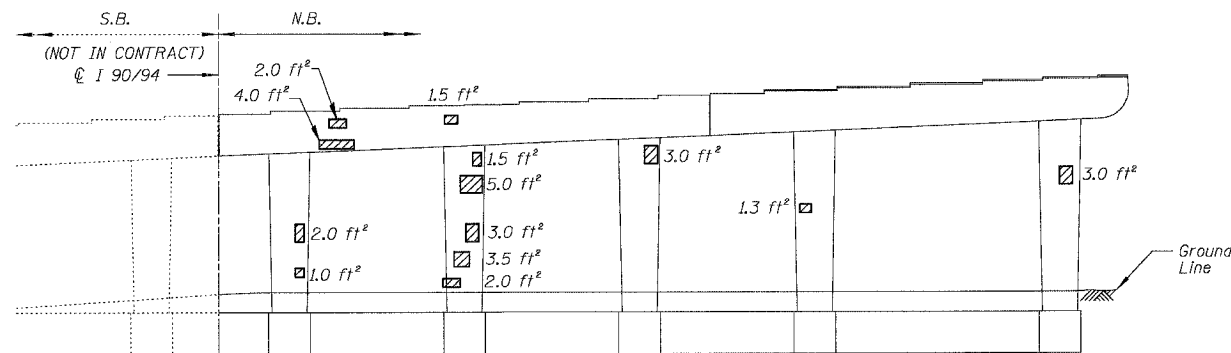
PIER 31 - NORTH ELEVATION
(Looking South)



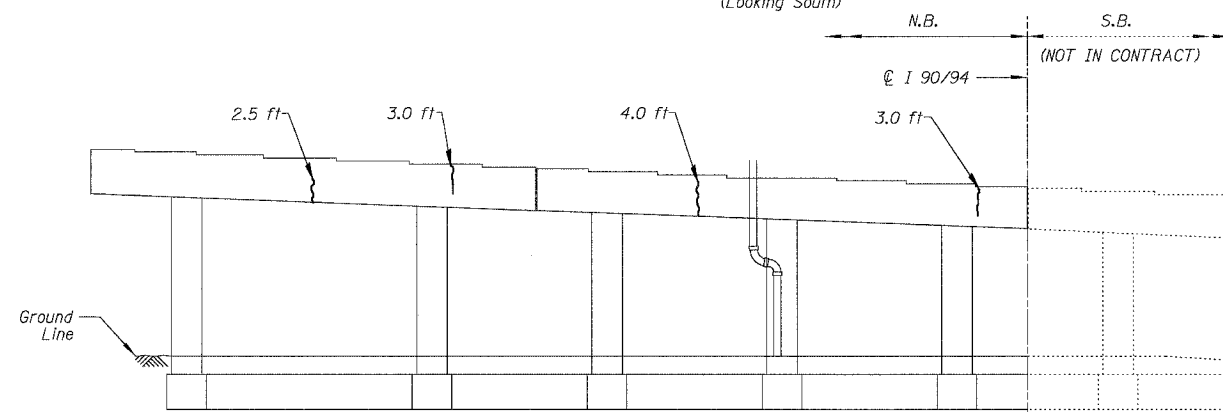
PIER 31 - SOUTH ELEVATION
(Looking North)



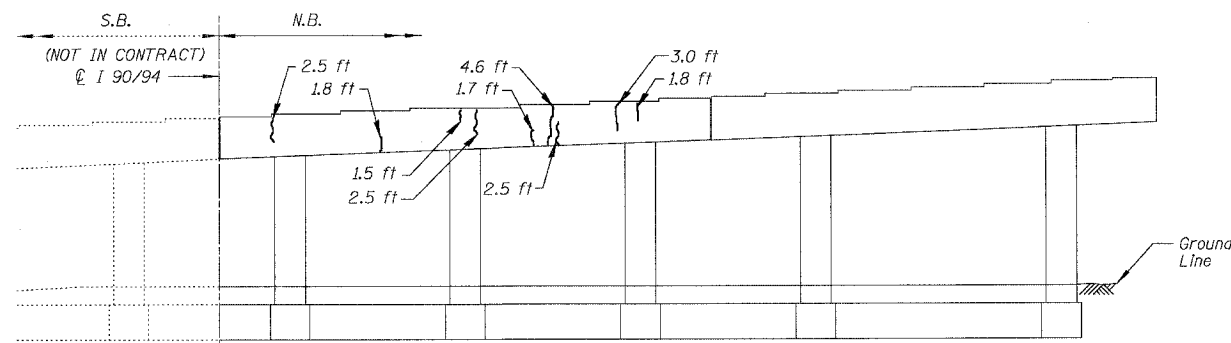
PIER 30 - NORTH ELEVATION
(Looking South)



PIER 30 - SOUTH ELEVATION
(Looking North)



PIER 29 - NORTH ELEVATION
(Looking South)



PIER 29 - SOUTH ELEVATION
(Looking North)

BILL OF MATERIAL

ITEM	UNIT	QUANTITY
High Performance Enhanced Shotcrete	SQ. FT.	84.2
Epoxy Crack Sealing	FOOT	82.1

REVISIONS	NAME	DATE

ILLINOIS DEPARTMENT OF TRANSPORTATION
 F.A.I. 94/90 (DAN RYAN EXPRESSWAY)
 NB DAN RYAN ELEVATED BRIDGE
 REPAIR FROM 15TH TO 28TH STREETS
 CONCRETE PIER REPAIRS
 SN 016-1112, PIERS 29,30,31
 SCALE: NTS
 DATE: 7/22/2005
 DRAWN BY: BDC
 CHECKED BY: BLU

BOWMAN, BARRETT & ASSOCIATES INC.
 CONSULTING ENGINEERS
 Chicago, Illinois
 312.228.0100
 www.bbainc.com

For Notes and Legend See Sheet 253