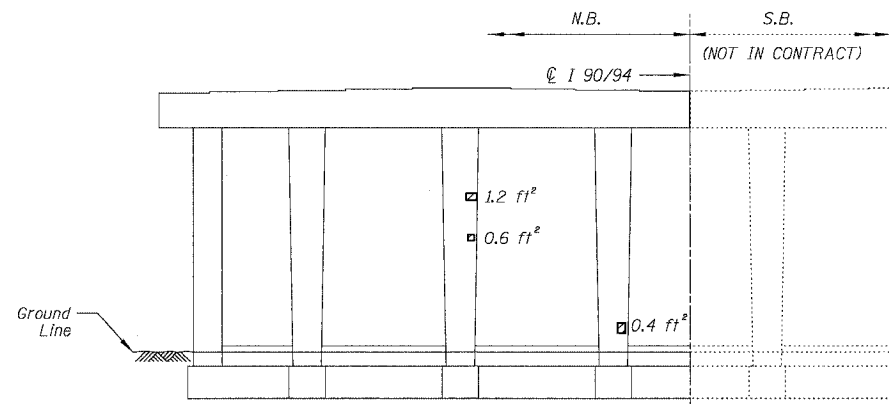
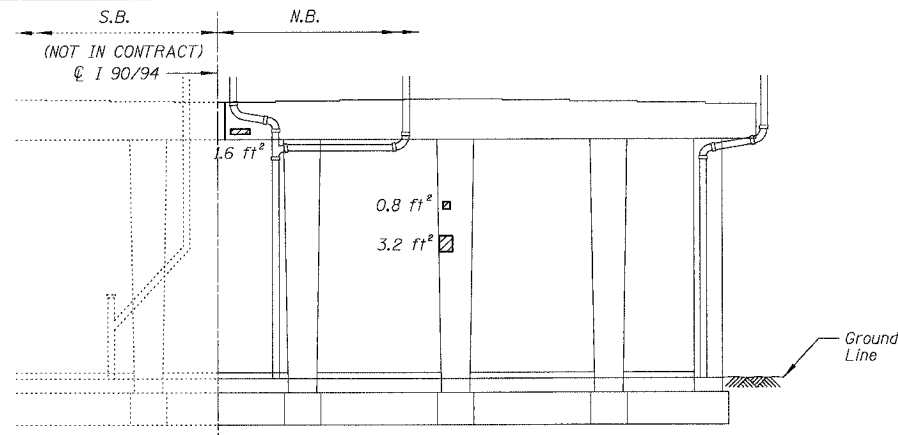


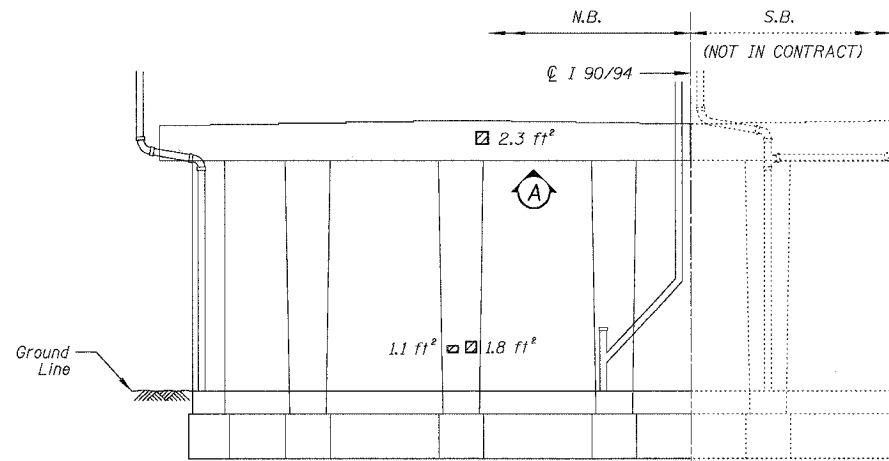
F.A.I.	SECTION	COUNTY	TOTAL SHEETS	SHEET NO.
94/90	2003-028F	COOK	419	292
STA.	TO STA.			
FED. ROAD DIST. NO.	ILLINOIS	FED. AID PROJECT		
62580				



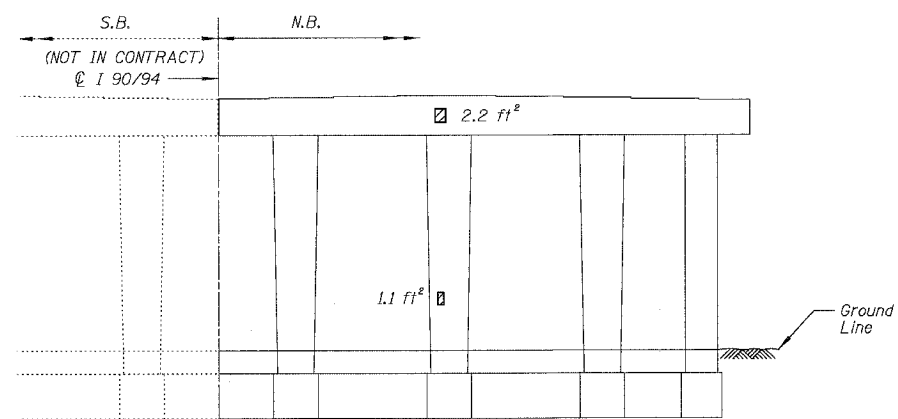
PIER 11 - NORTH ELEVATION
(Looking South)



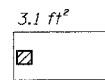
PIER 11 - SOUTH ELEVATION
(Looking North)



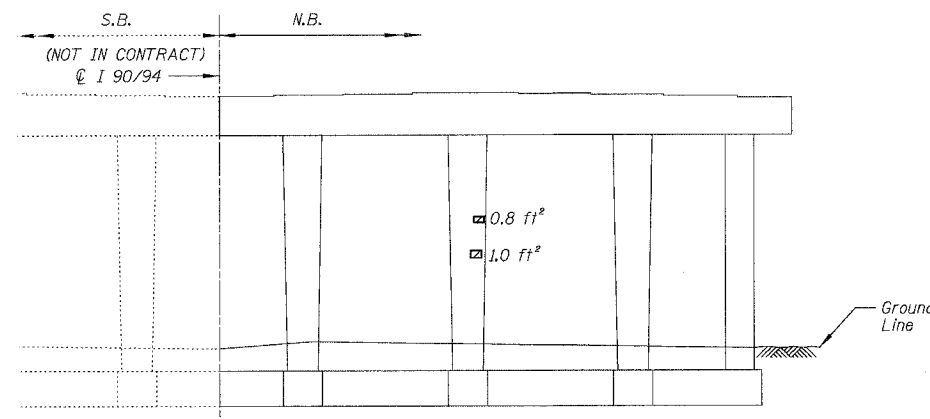
PIER 10 - NORTH ELEVATION
(Looking South)



PIER 10 - SOUTH ELEVATION
(Looking North)



PIER 10 - VIEW A
Looking up at bottom of cap



PIER 8 - SOUTH ELEVATION
(Looking North)

BILL OF MATERIAL

ITEM	UNIT	QUANTITY
High Performance Enhanced Shotcrete	SQ. FT.	24.4

REVISIONS	
NAME	DATE

ILLINOIS DEPARTMENT OF TRANSPORTATION
F.A.I. 94/90 (DAN RYAN EXPRESSWAY)
NB DAN RYAN ELEVATED BRIDGE
REPAIR FROM 15TH TO 28TH STREETS
CONCRETE PIER REPAIRS
SN 016-1111, PIERS 8,10,11

SCALE: NTS
DATE: 7/22/2005
DRAWN BY: BDC
CHECKED BY: BLU

BOWMAN, BARRETT & ASSOCIATES INC.
CONSULTING ENGINEERS
Chicago, Illinois
312.228.0100
www.bbainc.com

For Notes and Legend See Sheet 253