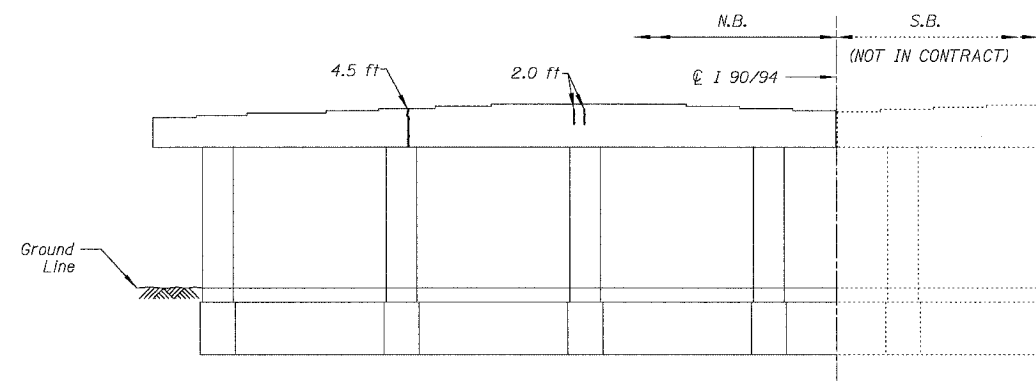
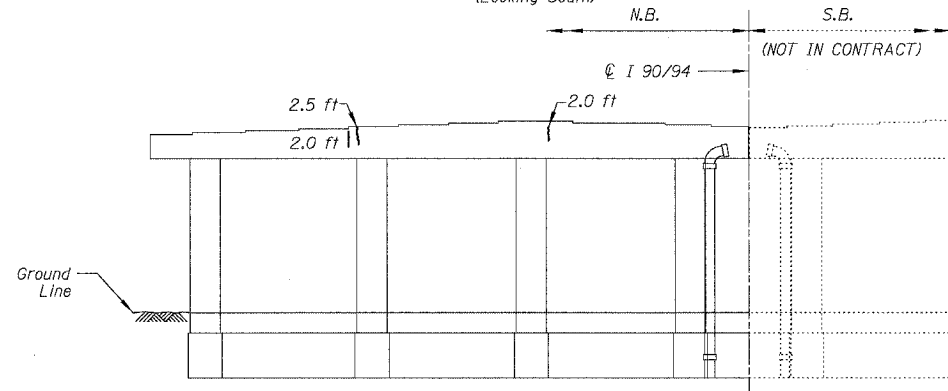


F.A.I.	SECTION	COUNTY	TOTAL SHEETS	SHEET NO.
94/90	2003-028F	COOK	419	297
STA.	TO STA.			
FED. ROAD DIST. NO.	ILLINOIS FED. AID PROJECT			

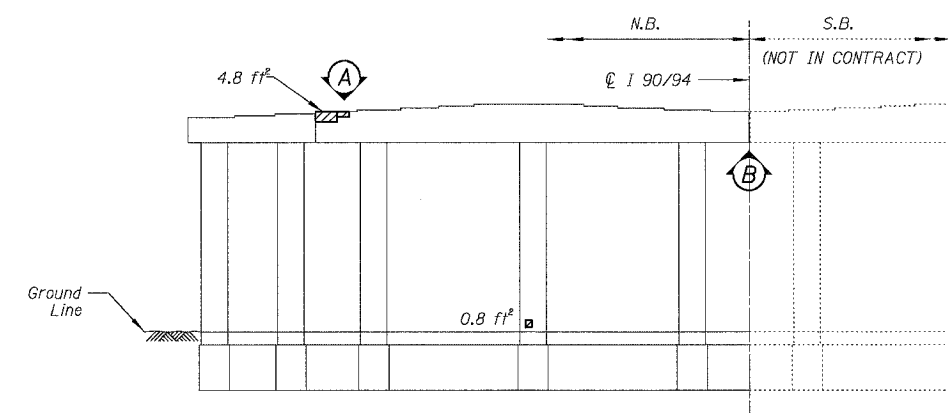
62580



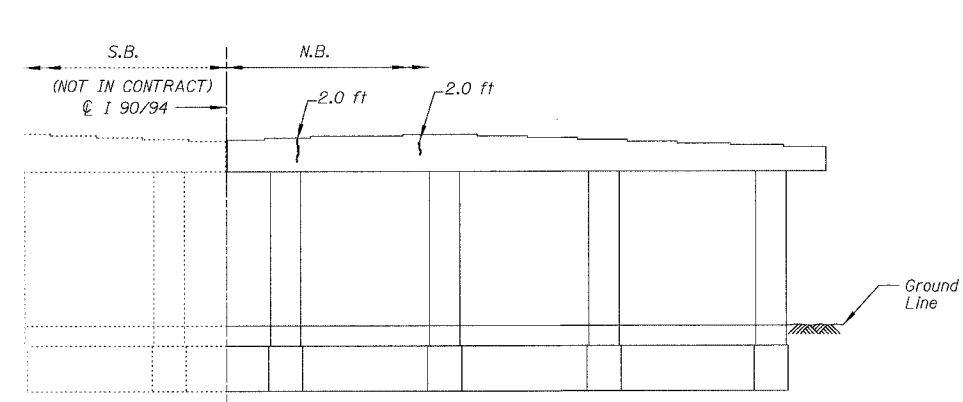
PIER 15 - NORTH ELEVATION
(Looking South)



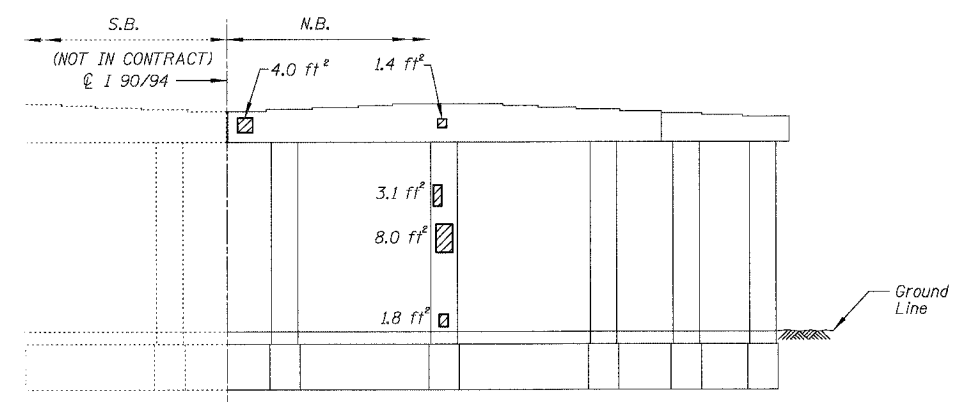
PIER 13 - NORTH ELEVATION
(Looking South)



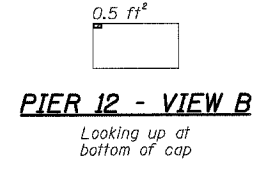
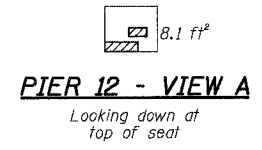
PIER 12 - NORTH ELEVATION
(Looking South)



PIER 13 - SOUTH ELEVATION
(Looking North)



PIER 12 - SOUTH ELEVATION
(Looking North)



BILL OF MATERIAL

ITEM	UNIT	QUANTITY
High Performance Enhanced Shotcrete	SQ. FT.	37.4
Epoxy Crack Sealing	FOOT	21.9

REVISIONS	DATE

ILLINOIS DEPARTMENT OF TRANSPORTATION
 F.A.I. 94/90 (DAN RYAN EXPRESSWAY)
 NB DAN RYAN ELEVATED BRIDGE
 REPAIR FROM 15TH TO 28TH STREETS
 CONCRETE PIER REPAIRS
 SN 016-0137, PIERS 12,13,15
 SCALE: NTS
 DATE: 7/22/2005
 DRAWN BY: BDC
 CHECKED BY: BLU

BOWMAN, BARRETT & ASSOCIATES INC.
 CONSULTING ENGINEERS
 Chicago, Illinois
 312.228.0100
 www.bbainc.com

For Notes and Legend See Sheet 253