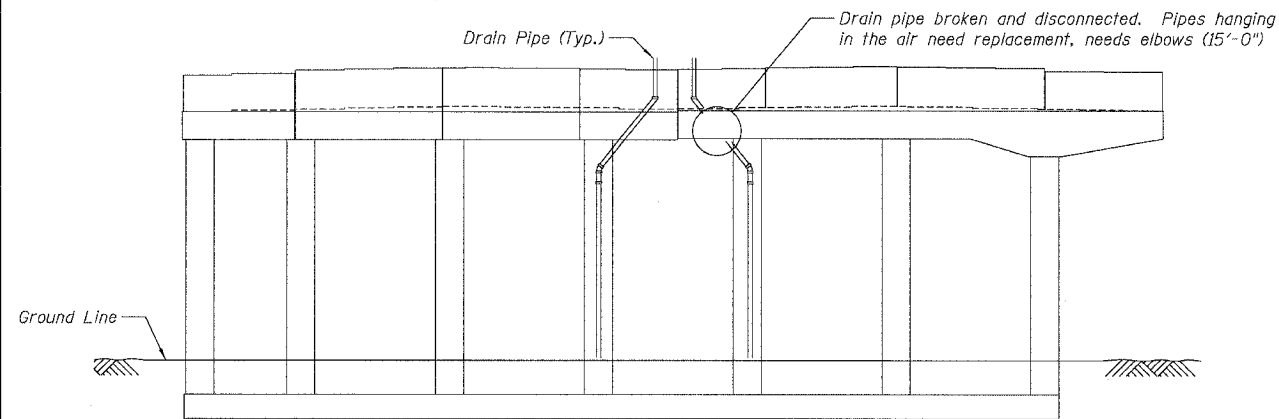
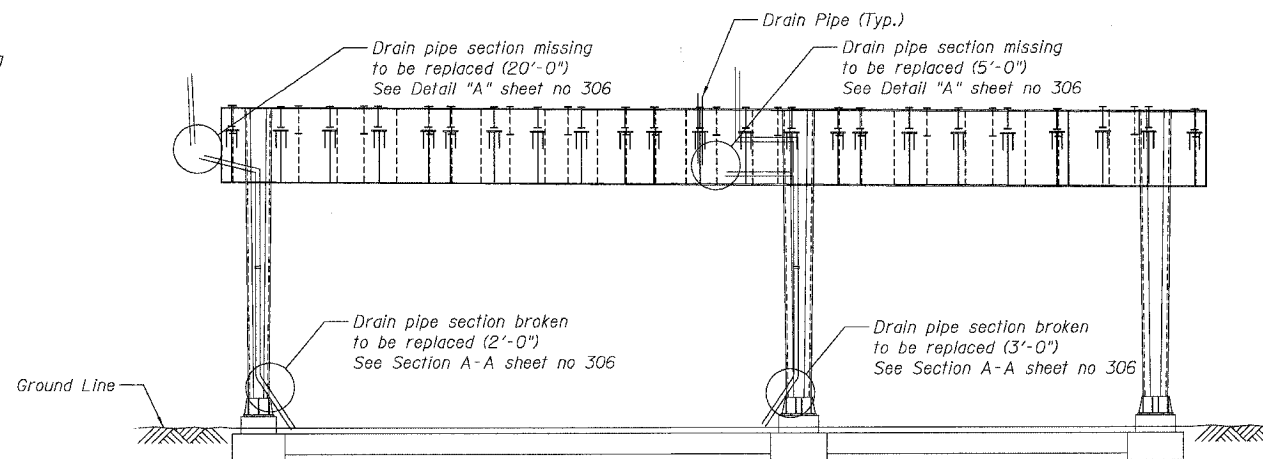


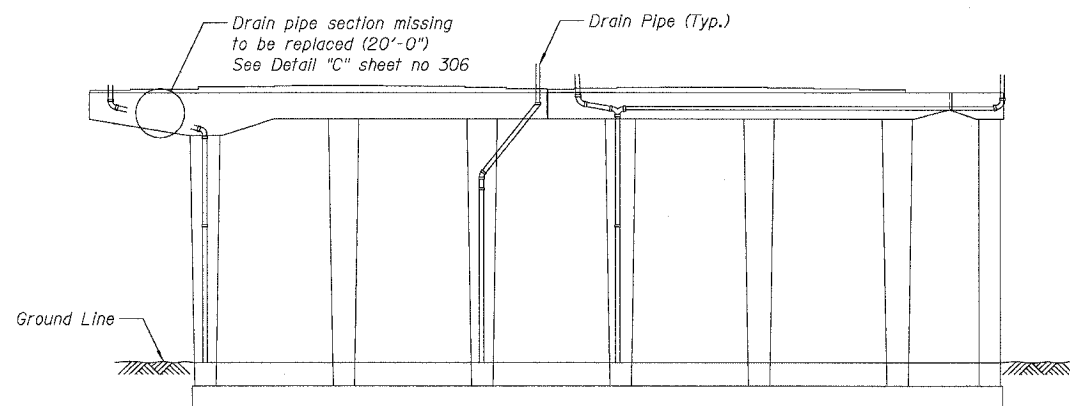
F.A.I.	SECTION	COUNTY	TOTAL SHEETS	SHEET NO.
94/90	2003-02BF	COOK	419	304
STA.		TO STA.		
FED. ROAD DIST. NO.		ILLINOIS	FED. AID PROJECT	
62580				



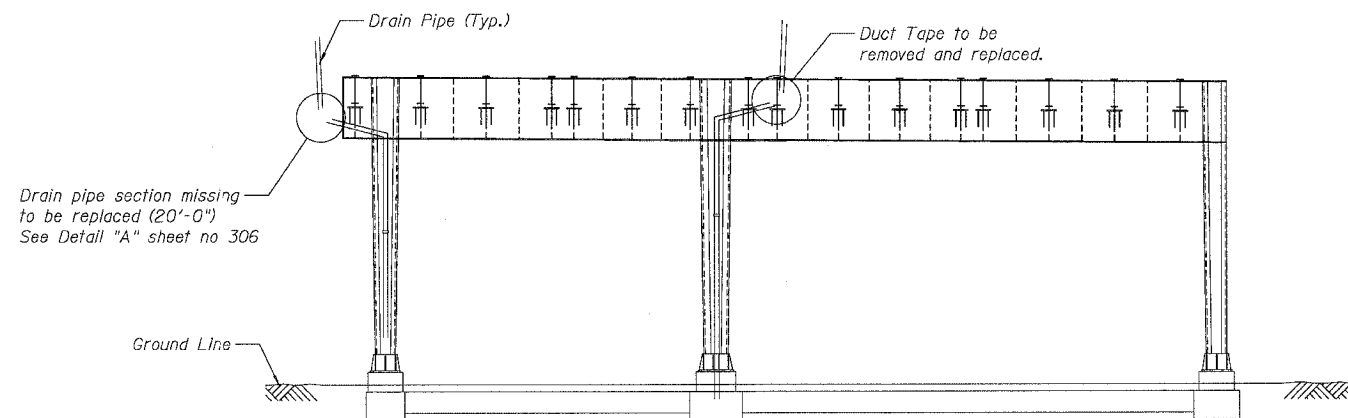
SN 016-1117 - PIER 26 - SOUTH ELEVATION
(Looking North)



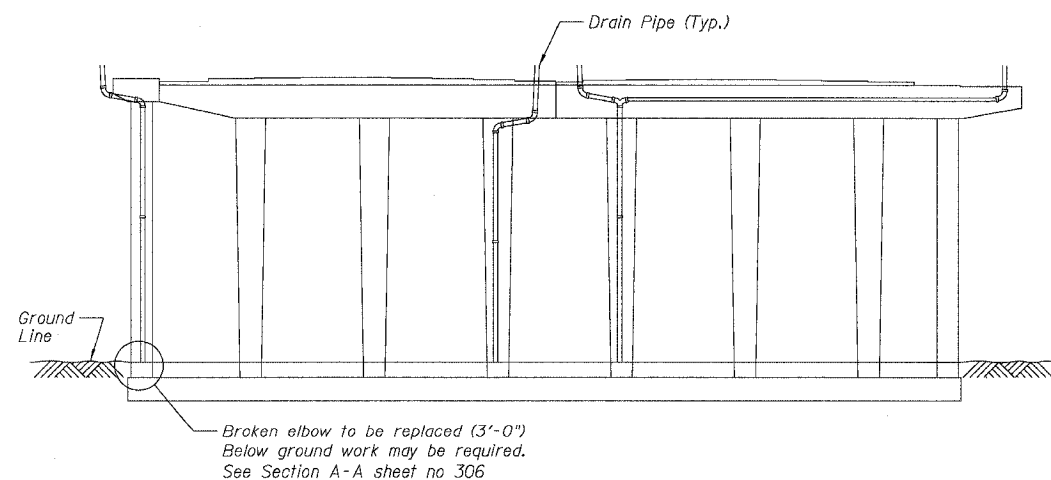
SN 016-1117 - PIER 23 - NORTH ELEVATION
(Looking South)



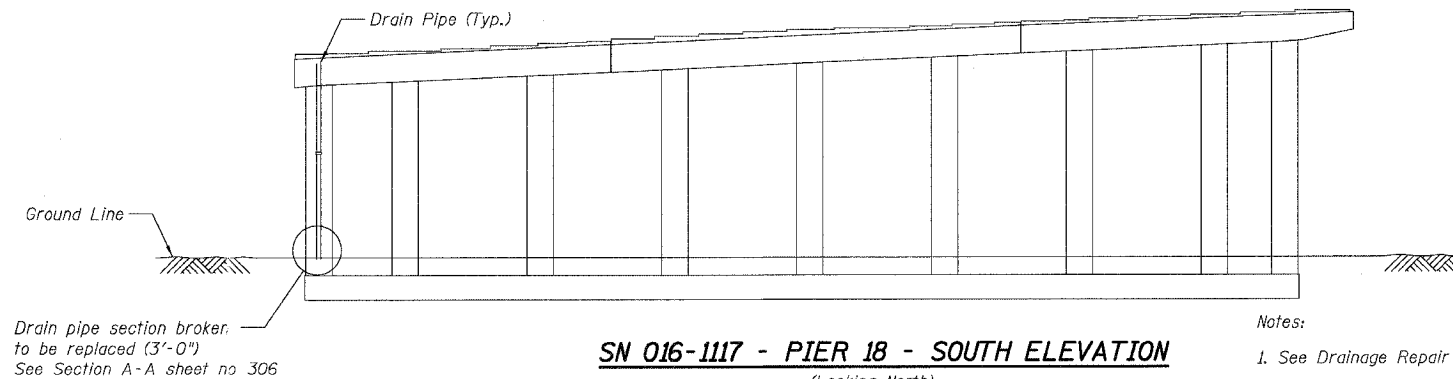
SN 016-1117 - PIER 25 - NORTH ELEVATION
(Looking South)



SN 016-1117 - PIER 22 - NORTH ELEVATION
(Looking South)



SN 016-1117 - PIER 24 - NORTH ELEVATION
(Looking South)



SN 016-1117 - PIER 18 - SOUTH ELEVATION
(Looking North)

- Notes:
1. See Drainage Repair Notes on sheet 300
 2. For pier locations see General Plan & Elevation Sheets.

BILL OF MATERIAL

ITEM DESCRIPTION	UNIT	QUANTITY
Bridge Drainage System Repairs	FOOT	91

REVISIONS	
NAME	DATE

ILLINOIS DEPARTMENT OF TRANSPORTATION
F.A.I. 94/90 (DAN RYAN EXPRESSWAY)
NB DAN RYAN ELEVATED BRIDGE
REPAIR FROM 15TH TO 28TH STREETS
DRAINAGE REPAIRS
SN 016-1117

SCALE: NTS
DATE: 8/12/2005
DRAWN BY: BDC
CHECKED BY: BLU

BOWMAN, BARRETT & ASSOCIATES INC.
CONSULTING ENGINEERS
Chicago, Illinois
312.228.0100
www.bbainc.com



11-5-451 AM 8/11/2005