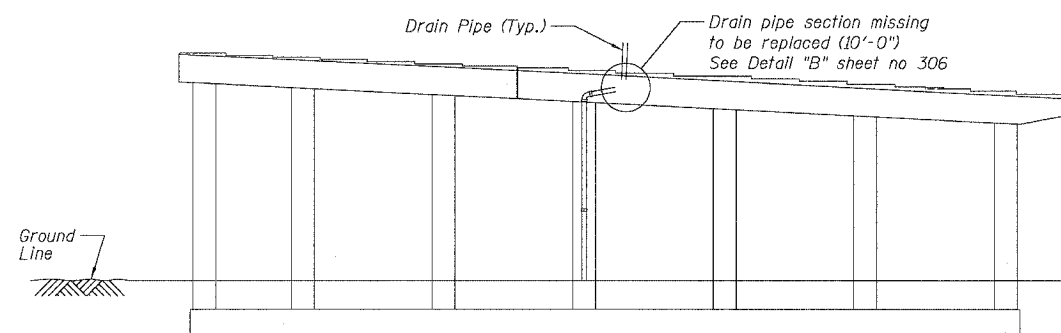
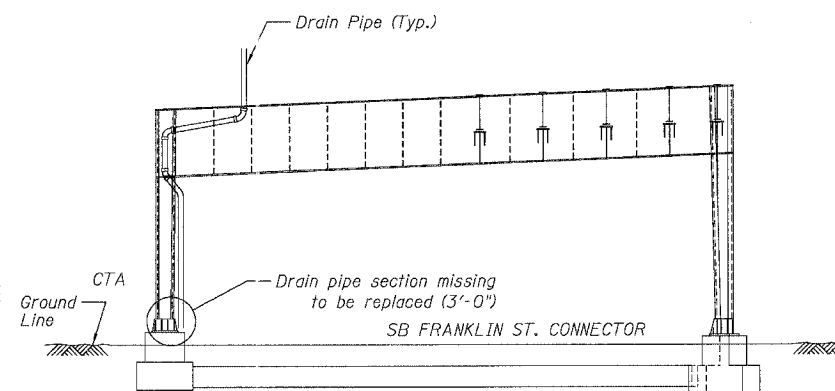


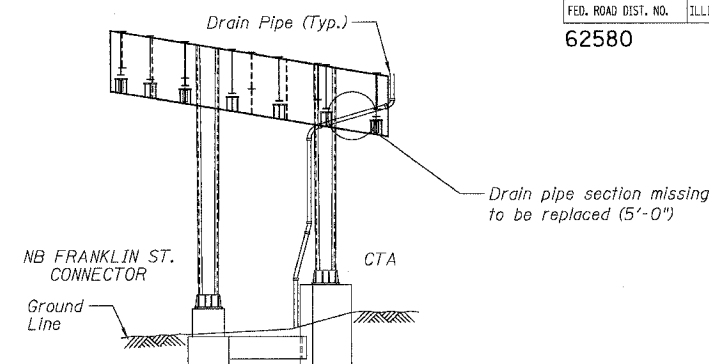
F.A.I.	SECTION	COUNTY	TOTAL SHEETS	SHEET NO.
94/90	2003-028F	COOK	419	305
STA.		TO STA.		
FED. ROAD DIST. NO.		ILLINOIS	FED. AID PROJECT	
62580				



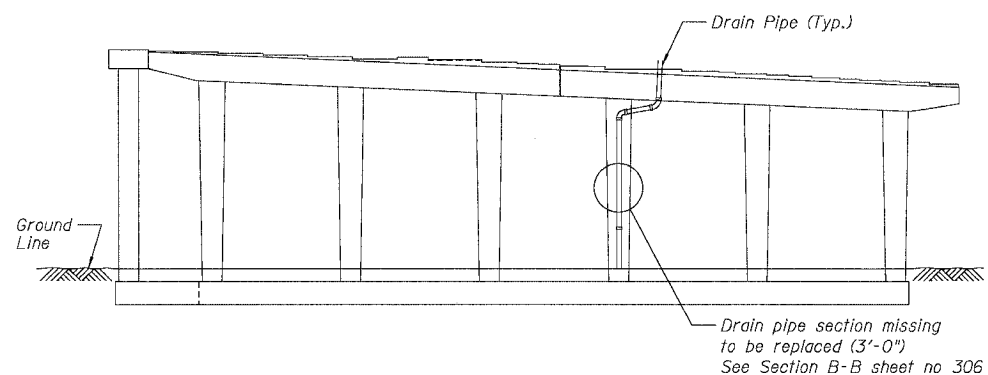
SN 016-1117 - PIER 16 - NORTH ELEVATION
(Looking South)



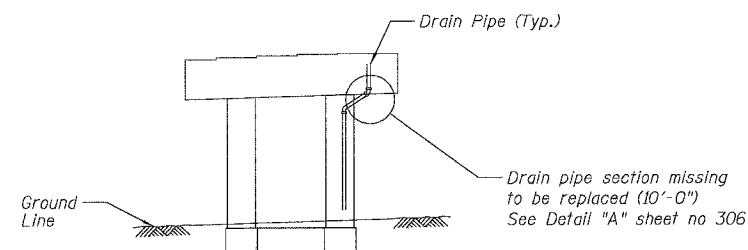
SN 016-1118 - PIER H4 - NORTH ELEVATION
(Looking South)



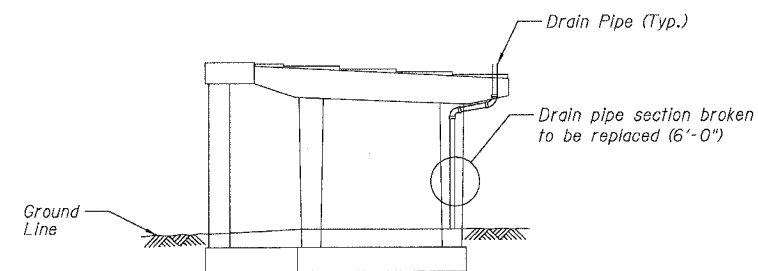
SN 016-1118 - PIER H3 - NORTH ELEVATION
(Looking South)



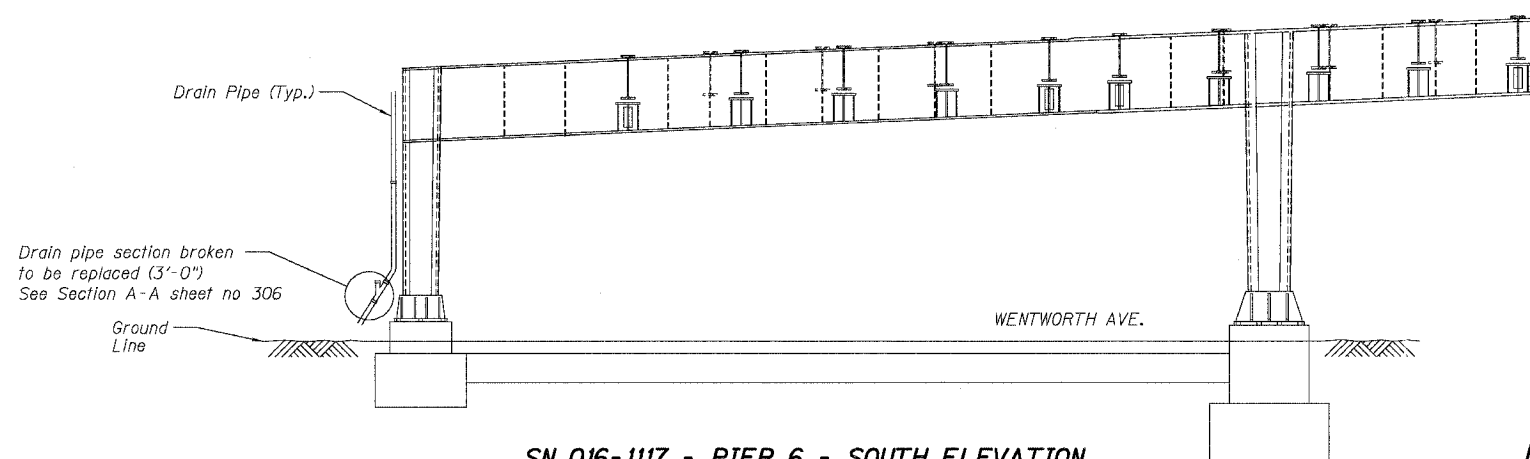
SN 016-1117 - PIER 15 - NORTH ELEVATION
(Looking South)



SN 016-1047 - PIER 24 - NORTH ELEVATION
(Looking South)



SN 016-1067 - PIER A8 - NORTH ELEVATION
(Looking South)



SN 016-1117 - PIER 6 - SOUTH ELEVATION
(Looking North)

- Notes:
1. See Drainage Repair Notes on sheet 300
 2. For pier locations see General Plan & Elevation Sheets.

BILL OF MATERIAL

ITEM DESCRIPTION	UNIT	QUANTITY			
		SN 016-1117	SN 016-1118	SN 016-1047	SN 016-1067
Bridge Drainage System Repairs	FOOT	16	8	10	6

REVISIONS	DATE

ILLINOIS DEPARTMENT OF TRANSPORTATION
F.A.I. 94/90 (DAN RYAN EXPRESSWAY)
NB DAN RYAN ELEVATED BRIDGE
REPAIR FROM 15TH TO 28TH STREETS
DRAINAGE REPAIRS
SN 016-1117 , 016-1118 & 016-1047
SCALE: NTS
DATE: 8/12/2005
DRAWN BY: BDC
CHECKED BY: BLU

BOWMAN, BARRETT & ASSOCIATES INC.
CONSULTING ENGINEERS
Chicago, Illinois
312.228.0100
www.bbainc.com

8/11/2005 11:54:52 AM