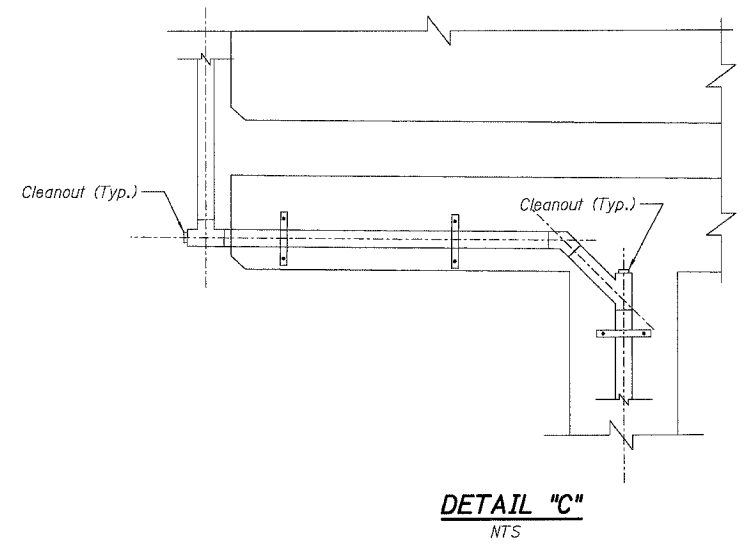
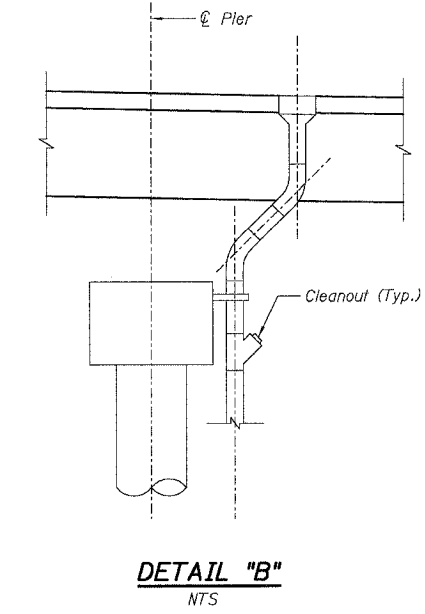
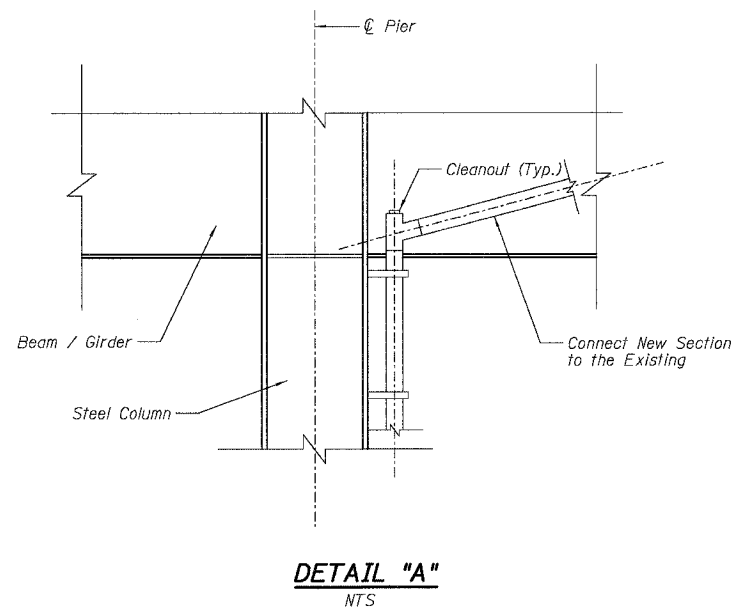
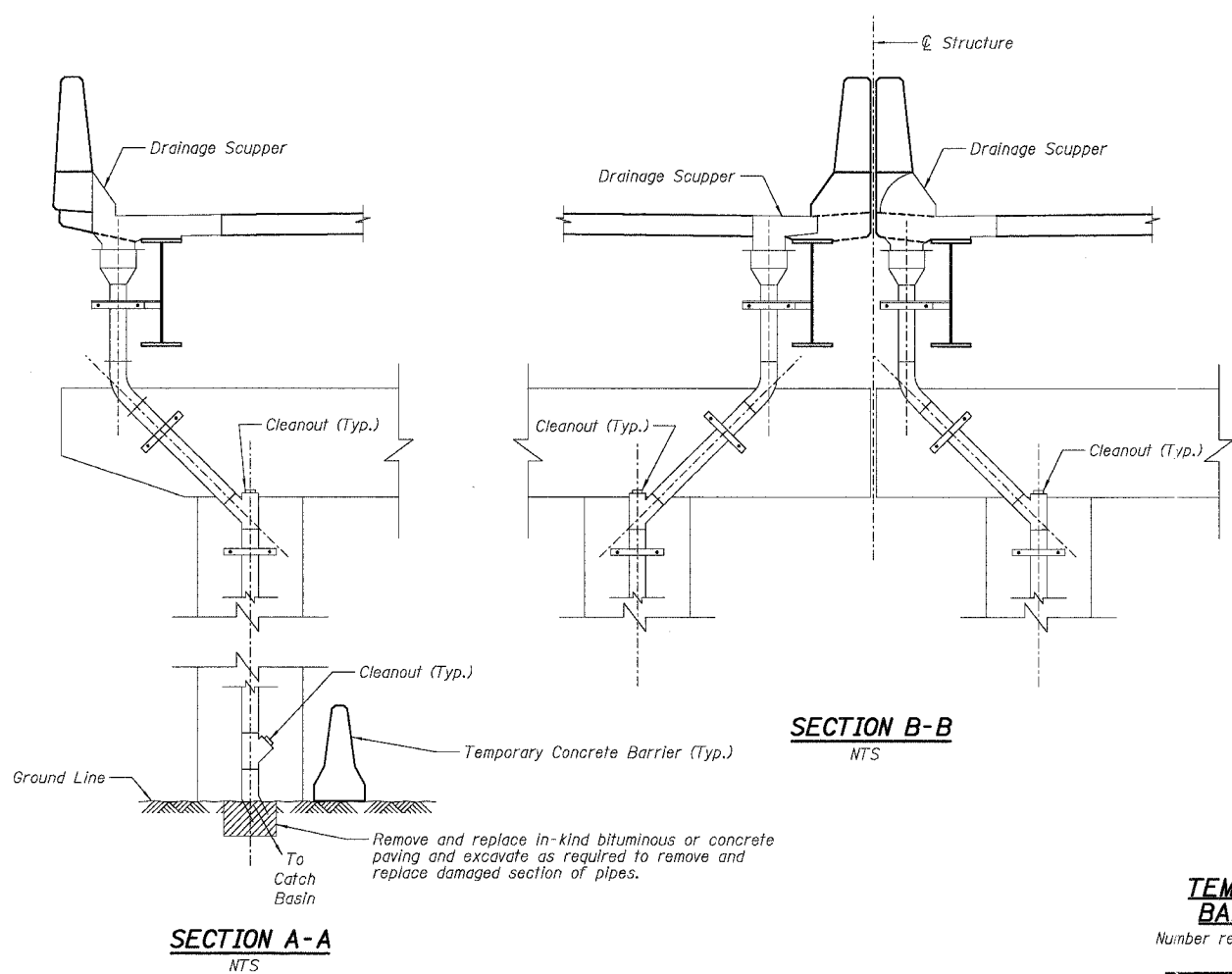


F.A.I.	SECTION	COUNTY	TOTAL SHEETS	SHEET NO.
94/90	2003-028F	COOK	419	306
STA.	TO STA.			
FED. ROAD DIST. NO.	ILLINOIS FED. AID PROJECT			
62580				



TEMPORARY CONCRETE BARRIER LOCATIONS
Number required for downspout protection (10'-0" Segments)

STRUCTURE NUMBER	PIER	NUMBER REQUIRED
016-0137	9	4
016-1110	7	3
016-1111	2	2
	3	2
	4	2
	5	2
	6	2
	7	2
	8	2
	9	2
016-1112	12	4
	13	3
	14	2
	15	1
016-1113	10	2
	9	2
	5	2
	3	3
	8	2
016-1117	9	1
	10	2
	11	1
	12	1
	13	2
	A12	1
	11	1
10	1	
8	1	
7	1	
6	1	
TOTAL		57

Notes:

- The removal and in-kind replacement of areas of bituminous or concrete paving and necessary excavation required for the replacement of damaged pipes at ground level shall be included in "Bridge Drainage System Repairs".
- An estimated quantity of 570 L.F. (57 - 10'-0" Segments) of temporary concrete barrier is provided. These barriers are required for the protection of the drain pipes from vehicles at locations under the structures used as parking lots or material storage areas (Locations shown in table).
- The Contractor shall verify the exact locations where the temporary concrete barriers are required. Location of barrier shall be approved by the Engineer. Place barrier to ensure adequate access to clean-outs and catch basins. The work and the material (furnishing and placing) will be paid at the contract unit price for "Furnishing Temporary Concrete Barrier".
- See Drainage Repair Notes on sheet 300
- An estimated quantity of 60' is provided for SN 016-1067 (S.B.). This quantity is included in the quantity of 150' for SN 016-1117.
- The details provided on this sheet show a schematic representation of the Existing Drainage System. Contractor shall provide all elbows, tees, couplings and cleanouts necessary to complete the work.

BILL OF MATERIAL

ITEM DESCRIPTION	UNIT	QUANTITY
Furnishing Temporary Concrete Barrier	FOOT	570

REVISIONS	NAME	DATE

ILLINOIS DEPARTMENT OF TRANSPORTATION
 F.A.I. 94/90 (DAN RYAN EXPRESSWAY)
 NB DAN RYAN ELEVATED BRIDGE
 REPAIR FROM 15TH TO 28TH STREETS
 DRAINAGE REPAIRS
 DETAILS AND TYPICAL SECTIONS
 SCALE: NTS
 DATE: 7/22/2005
 DRAWN BY: BDC
 CHECKED BY: BLU

BOWMAN, BARRETT & ASSOCIATES INC.
 CONSULTING ENGINEERS
 Chicago, Illinois
 312.228.0100
 www.bbainc.com