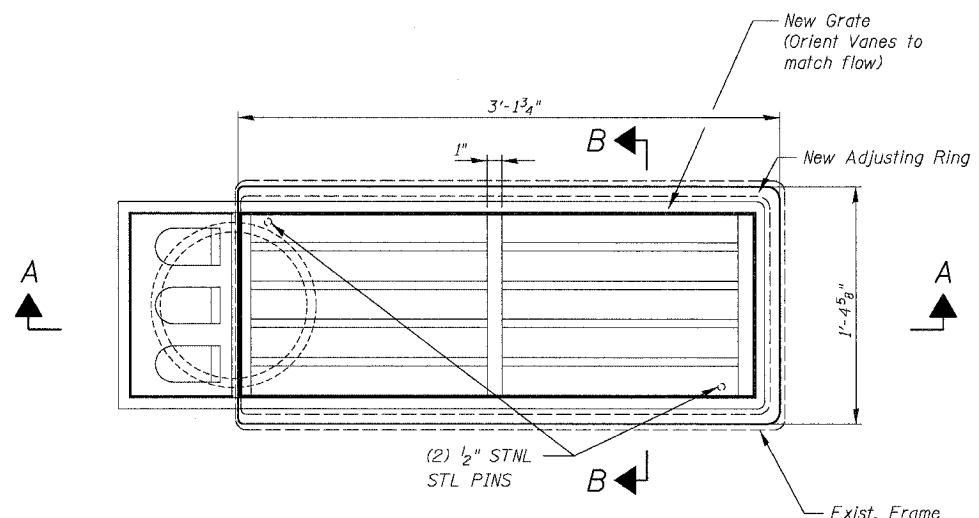


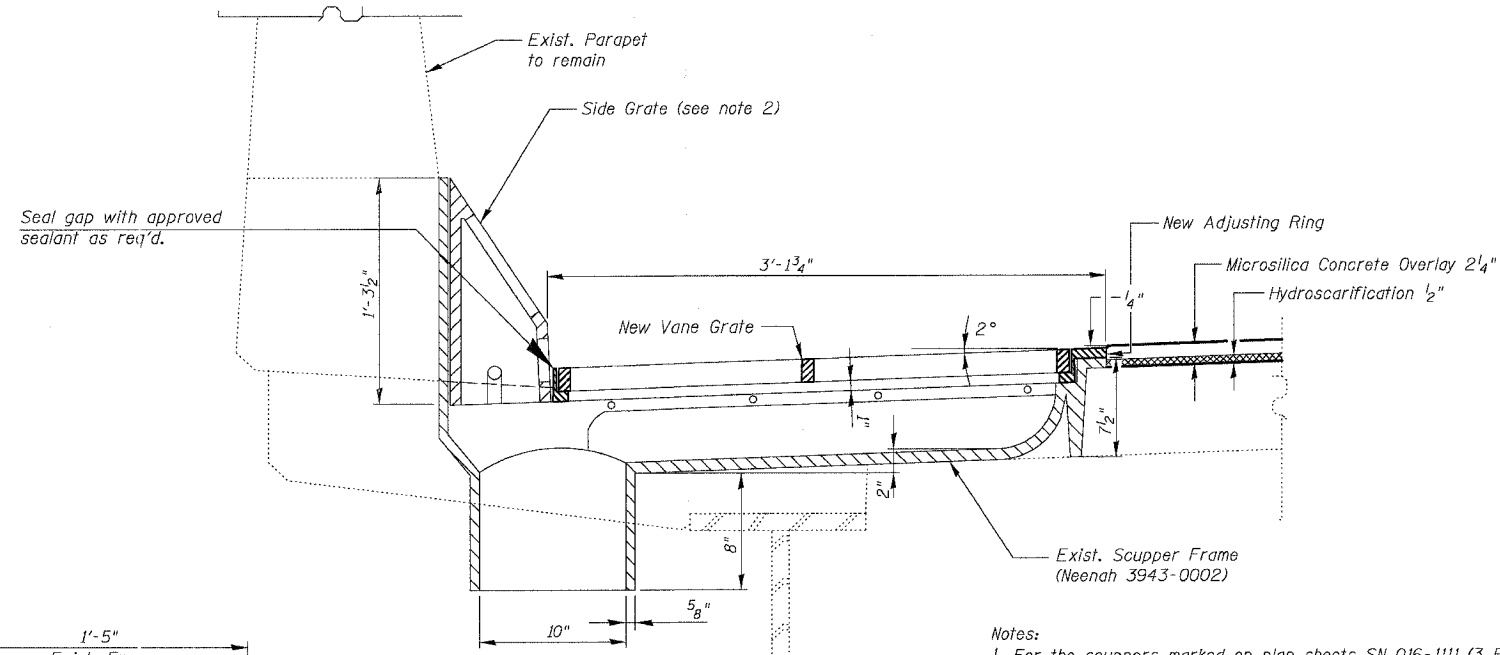
F.A.I.	SECTION	COUNTY	TOTAL SHEETS	SHEET NO.
94/90	2003-028F	COOK	419	308
STA.		TO STA.		
FED. ROAD DIST. NO.	ILLINOIS	FED. AID PROJECT		
62580				

BILL OF MATERIAL

ITEM DESCRIPTION	UNIT	TOTAL	SN 016-0137	SN 016-1110	SN 016-1111	SN 016-1112	SN 016-1113	SN 016-1114	SN 016-1115	SN 016-1116	SN 016-1117	SN 016-1118	SN 016-1047	SN 016-1059	SN 016-1070	SN 016-1140
ADJUSTING DRAINAGE SCUPPERS, TYPE A	EACH	107	10	8	11	26	3	-	8	8	27	2	2	-	-	2
ADJUSTING DRAINAGE SCUPPERS, TYPE B	EACH	26	-	-	-	1	2	10	3	-	7	3	-	-	-	-
ADJUSTING DRAINAGE SCUPPERS, TYPE C	EACH	109	11	11	12	12	12	-	20	8	-	16	1	-	4	2

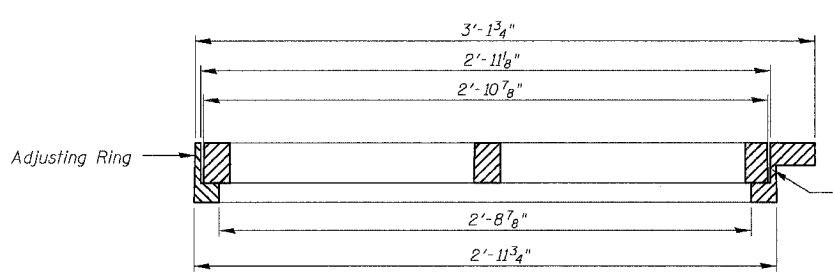


PLAN TYPE C SCUPPER

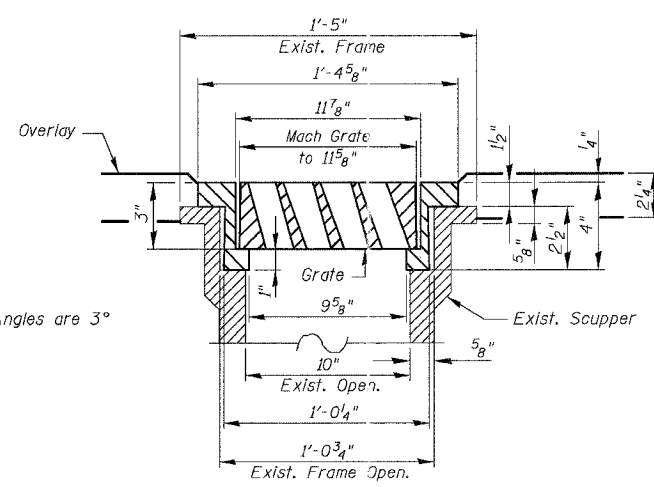


SECTION THRU TYPE C SCUPPER

- Notes:
- For the scuppers marked on plan sheets SN 016-1111 (3 Req'd) as \square , the contractor shall verify the exact location, type and dimensions before he orders the material. The quantity and pay item is included in "Adjust Drainage Scuppers, Type A".
 - At SN 016-1070 (Ramp D), scupper plates (side grates) at the side of the parapet are missing. The contractor shall verify location, type and dimensions for these side plates before ordering the material. The cost for furnishing and installing these grates shall be included in "Adjusting Drainage Scuppers" of the type specified. [Estimated No. Required: Three (3) Type C].
 - For scupper locations, see Partial Deck Plan Sheets.
 - A paint stripe shall be applied over the existing stripe to the face of the Concrete Barrier Wall at all drainage scupper locations. The stripe shall be 4" wide x 12" long and extend vertically at 90 degrees from the top edge of the barrier. The paint color shall be specified by the Engineer. Cost of the strip is to be included in "Adjusting Drainage Scuppers" of the type specified.



SECTION A-A



SECTION B-B

DRAINAGE SCUPPER DETAILS - TYPE C
Vane Grate 3943-0002 machined to fit

BOWMAN, BARRETT & ASSOCIATES INC
CONSULTING ENGINEERS
Chicago, Illinois
312.228.0100
www.bbainc.com

REVISIONS		ILLINOIS DEPARTMENT OF TRANSPORTATION F.A.I. 94/90 (DAN RYAN EXPRESSWAY) NB DAN RYAN ELEVATED BRIDGE REPAIR FROM 15TH TO 28TH STREETS ADJUSTING DRAINAGE SCUPPER DETAILS
NAME	DATE	
		SCALE: N/A
		DATE: 8/12/2005
		DRAWN BY: BDC
		CHECKED BY: BLU

11/5/05 AM 8/11/2005