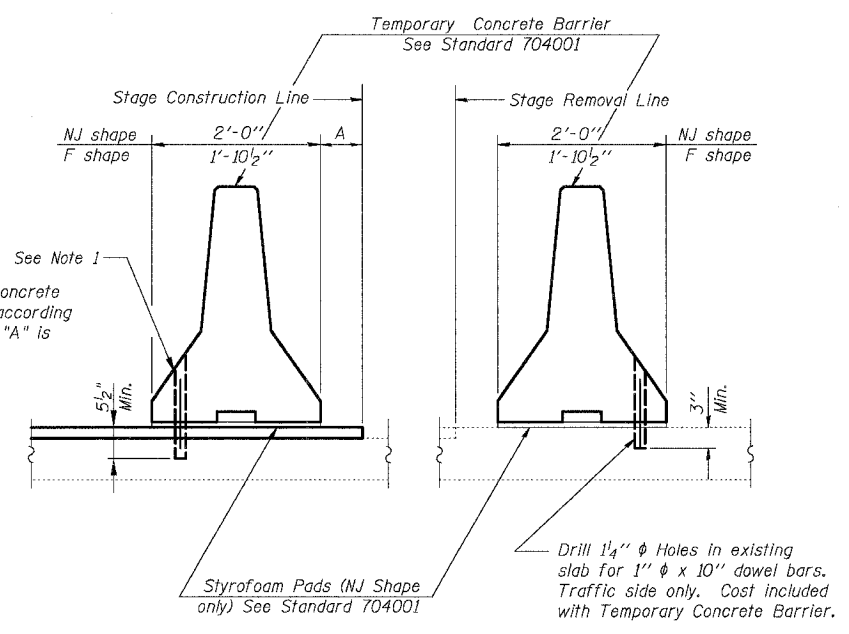


F.A.I.	SECTION	COUNTY	TOTAL SHEETS	SHEET NO.
94/90	2003-028F	COOK	419	311
STA.	TO STA.			
FED. ROAD DIST. NO.	ILLINOIS	FED. AID PROJECT		

62580



When "A" is 3'-6" or less, the temporary concrete barrier shall be anchored to the new slab according as shown. No anchorage is required when "A" is greater than 3'-6".

NOTE:

1. Drill 1 1/4" ϕ Holes through new overlay into slab for 1" ϕ x 12" dowel bars. Traffic side only as directed by Engineer. Repair hole with non-shrink epoxy grout as directed by the Engineer. Cost of anchorage and repair included with Temporary Concrete Barrier.

NEW OVERLAYED SLAB

EXISTING SLAB

SECTIONS THRU SLAB

BOWMAN, BARRETT & ASSOCIATES INC.
CONSULTING ENGINEERS
Chicago, Illinois
312.228.0100
www.bbainc.com

REVISIONS	DATE
NAME	

ILLINOIS DEPARTMENT OF TRANSPORTATION
F.A.I. 94/90 (DAN RYAN EXPRESSWAY)
NB DAN RYAN ELEVATED BRIDGE
REPAIR FROM 15TH TO 28TH STREETS
TEMPORARY CONCRETE BARRIER
FOR STAGE CONSTRUCTION

SCALE: NTS
DATE: 7/22/2005

DRAWN BY: LM
CHECKED BY: BLU