

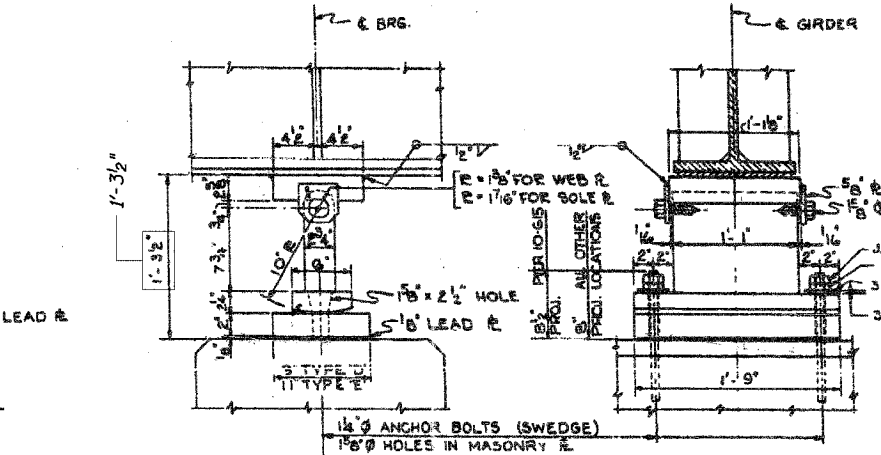
EXPANSION BEARING TYPE 'A'
SCALE: 1/2" = 1'-0"

MATERIAL	TYPE 'A' (80 REQ'D)
SOLE PL.	9" x 2" x 1'-1"
MASONRY PL.	14" x 2" x 1'-1"
ROLLER	8" x 1'-3 1/2"
2 - BARS	2" x 2" x 2'-5"
6" LEAD PL.	14" x 10" x 1'-1"
4 - ANCHOR BOLTS	1" x 1'-6"
4 - R. WASHERS	2" x 2" x 3/8"

PROJ.	PIER	GIRDER
52	11	G 4 & 15
5	11	G 5, 10 & 19
11	11	G 2, 6, 8-10, 12-14, 16, 17 & 36
42	15	G 29 & 36
4	ALL OTHER LOCATIONS	

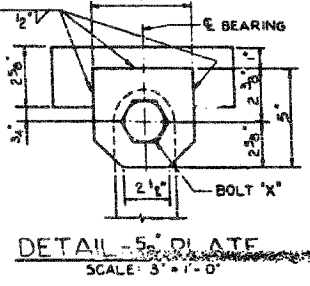


DETAIL - BOLT 'X'
SCALE: 3" = 1'-0"

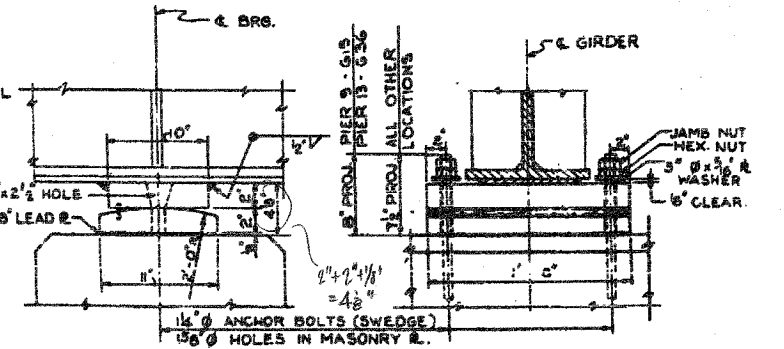


EXPANSION BEARING TYPES 'D' & 'E'
SCALE: 1/2" = 1'-0"

MATERIAL	TYPE 'D' (104 REQ'D)	TYPE 'E' (43 REQ'D)
SOLE PL.	9" x 2 1/2" x 1'-11"	9" x 2 1/2" x 1'-11"
MASONRY PL.	9" x 2" x 1'-9"	11" x 2" x 1'-9"
WEB PL.	9 1/2" x 2 3/4" x 1'-1"	9 1/2" x 2 3/4" x 1'-1"
ROCKER PL.	6" x 2 1/4" x 1'-9"	6" x 2 1/4" x 1'-9"
6" LEAD PL.	11" x 10" x 1'-9"	11" x 10" x 1'-9"
2 - ANCHOR BOLTS	1 1/2" x 1'-9"	1 1/2" x 1'-9"
2 - R. WASHERS	3" x 3/8"	3" x 3/8"
2 - BOLTS 'X'	1 1/2" x 3/8"	1 1/2" x 3/8"
2 - 3/8" R.	5" x 3/8" x 0'-5"	5" x 3/8" x 0'-5"

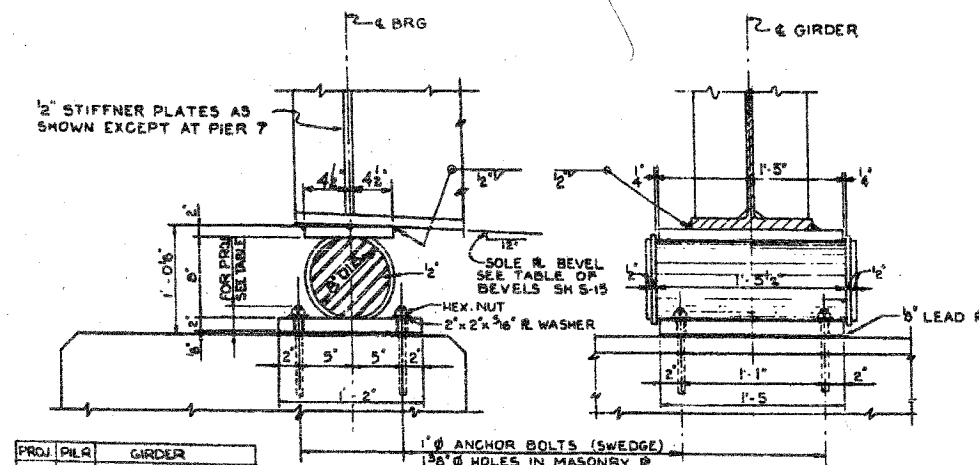


DETAIL - 5/8" PLATE
SCALE: 3" = 1'-0"



FIXED BEARING TYPE 'G'
SCALE: 1/2" = 1'-0"

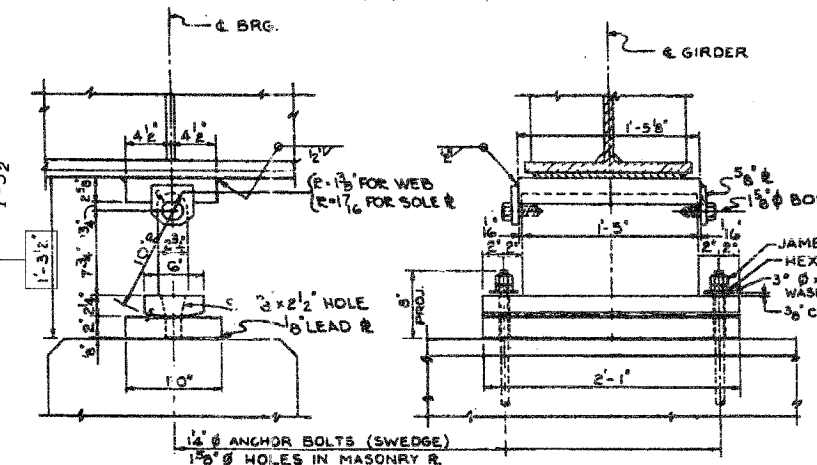
MATERIAL	TYPE 'G' (84 REQ'D)
SOLE PL.	10" x 2" x 1'-8"
MASONRY PL.	11" x 2" x 1'-8"
6" LEAD PL.	11" x 10" x 1'-8"
2 - ANCHOR BOLTS	1 1/2" x 1'-8"
2 - R. WASHERS	3" x 3/8"



EXPANSION BEARING TYPE 'B'
SCALE: 1/2" = 1'-0"

MATERIAL	TYPE 'B' (79 REQ'D)
SOLE PL.	9" x 2" x 1'-5"
MASONRY PL.	14" x 2" x 1'-5"
ROLLER	8" x 1'-7 1/2"
2 - BARS	2" x 2" x 2'-5"
6" LEAD PL.	14" x 10" x 1'-5"
4 - ANCHOR BOLTS	1" x 1'-6"
4 - R. WASHERS	2" x 2" x 3/8"

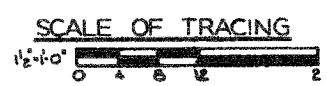
PROJ.	PIER	GIRDER
11	11	G 1 & 11
42	15	G 23, 27 & 38
19	19	G 67
4	ALL OTHER LOCATIONS	



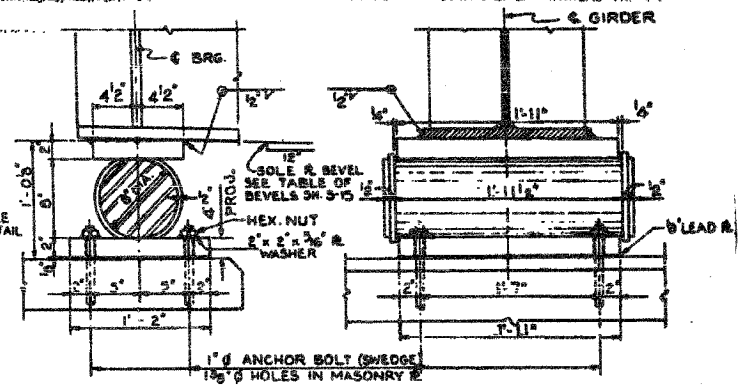
EXPANSION BEARING TYPE 'F'
SCALE: 1/2" = 1'-0"

MATERIAL	TYPE 'F' (1 REQ'D)
SOLE PL.	9" x 2 1/2" x 1'-5 1/2"
MASONRY PL.	12" x 2" x 2'-1"
WEB PL.	9 1/2" x 2 3/4" x 1'-5"
ROCKER PL.	6" x 2 1/4" x 2'-1"
6" LEAD PL.	12" x 10" x 2'-1"
2 - ANCHOR BOLTS	1 1/2" x 1'-9"
2 - R. WASHERS	3" x 3/8"
2 - BOLTS 'X'	1 1/2" x 3/8"
2 - 3/8" R.	5" x 3/8" x 0'-5"

FOR LOCATION OF BEARINGS SEE FRAMING PLANS SHT. S-13, S-14 & S-15.



NOTE: ROCKER PL. AND WEB PL. FOR EXPANSION BEARING TYPES 'D' & 'F' CAN BE GRADE 65-35 CARBON STEEL CASTING. QUANTITIES INCLUDED IN BILL OF MATERIAL SHEET S-19 FOR FILL PLATES AT BEARINGS, SEE SHEET S-15 FOR ADDITIONAL DETAILS SEE SHEET S-19



EXPANSION BEARING TYPE 'C'
SCALE: 1/2" = 1'-0"

MATERIAL	TYPE 'C' (9 REQ'D)
SOLE PL.	9" x 2" x 1'-11"
MASONRY PL.	14" x 2" x 1'-11"
ROLLER	8" x 1'-11"
2 - BARS	2" x 2" x 2'-5"
6" LEAD PL.	14" x 10" x 1'-11"
4 - ANCHOR BOLTS	1" x 1'-6"
4 - R. WASHERS	2" x 2" x 3/8"

Designed By: N.S.W.
 Drawn By: M.M.M.
 Checked By: W.J.C.
 In Charge: N.S.WULF
 Approved By: L.N.RIAN

BOWMAN, BARRETT & ASSOCIATES INC.
 CONSULTING ENGINEERS
 Chicago, Illinois
 312.228.0100
 www.bbainc.com

FOR INFORMATION ONLY

Sheet S18 of 64

REVISIONS	NAME	DATE

CITY OF CHICAGO
 DEPARTMENT OF PUBLIC WORKS
 BUREAU OF ENGINEERING
**SOUTH ROUTE SUPERHIGHWAY
 ELEVATED HIGHWAY**
 W. 15TH ST. TO W. MAXWELL ST.
 SECTION 8-228.3-11
**BEARINGS
 UNITS 1, 2, 3 & 4**
 DE LEUW, CATHIER & COMPANY
 CONSULTING ENGINEERS CHICAGO
 SCALE: AS NOTED DATE: JUNE 1961
 SHEET S18 OF 64 SHEETS

ILLINOIS DEPARTMENT OF TRANSPORTATION
 F.A.I. 94/90 (DAN RYAN EXPRESSWAY)
 NB DAN RYAN ELEVATED BRIDGE
 REPAIR FROM 15TH TO 28TH STREETS
 EXISTING PLAN INFORMATION
 SN 016-0137
 SCALE: NTS DRAWN BY: BDC
 DATE: 7/22/2005 CHECKED BY: BLU

7/19/2005 11:43:31 AM