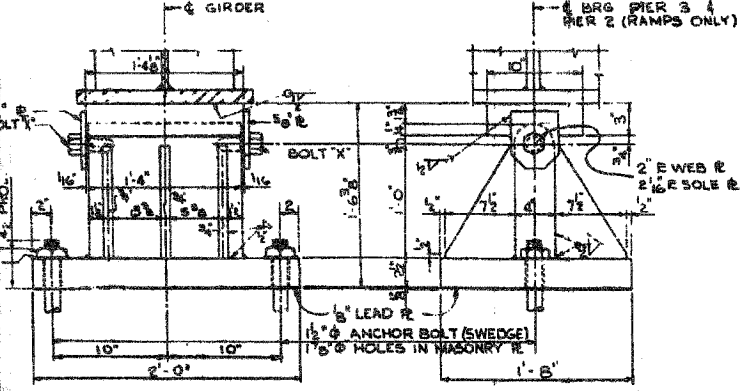


MATERIAL - TYPE 'A'

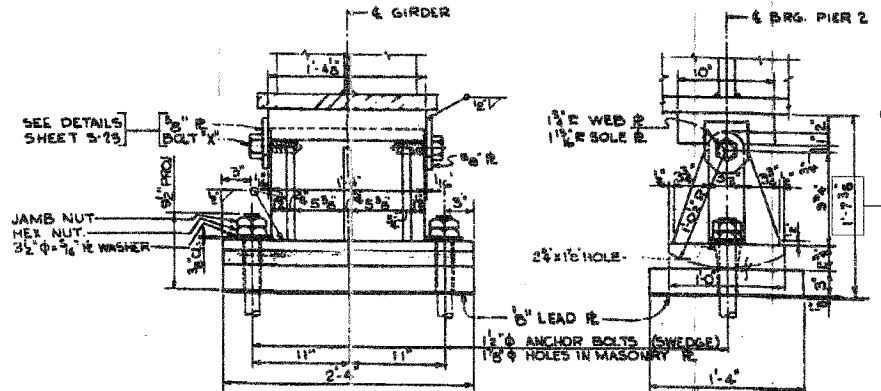
SOLE R	10" x 3" x 1/4"	2-5/8" R	5" x 5" x 5/16"
MASONRY R	20" x 2" x 2"	2-BOLT X	1/2" x 3"
WEB R	14" x 3" x 1/4"	2-ANCHOR BOLTS	1/2" x 2"
ROCKER R	7" x 3" x 1/4"	2-R WASHERS	2" x 2" x 5/16"
6-LEAD R	20" x 6" x 2"		



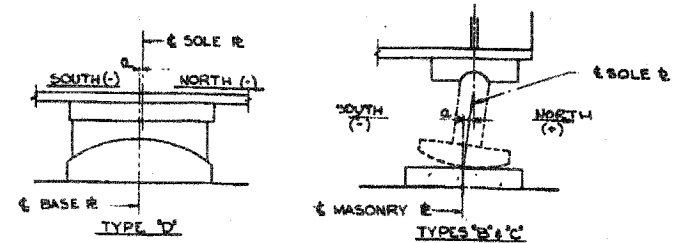
FIXED BRG. TYPE 'A' (32 REQ.)
SCALE: 1/2"=1'-0"

MATERIAL - TYPE 'B'

SOLE R	10" x 3" x 1/4"	5" LEAD R	14" x 3" x 2"
MASONRY R	16" x 3" x 2"	2-5/8" R	5" x 5" x 5/16"
WEB R	14" x 3" x 1/4"	2-BOLT X	1/2" x 3"
ROCKER R	12" x 3" x 2"	2-ANCHOR BOLTS	1/2" x 2"
6-STIFFENER R	20" x 3" x 1/4"	2-R WASHERS	2" x 2" x 5/16"



EXPANSION BEARING TYPE 'B' (16 REQ.)
SCALE: 1/2"=1'-0"



SOLE R SETTING DIAGRAM

TABLE OF SETTINGS (a)

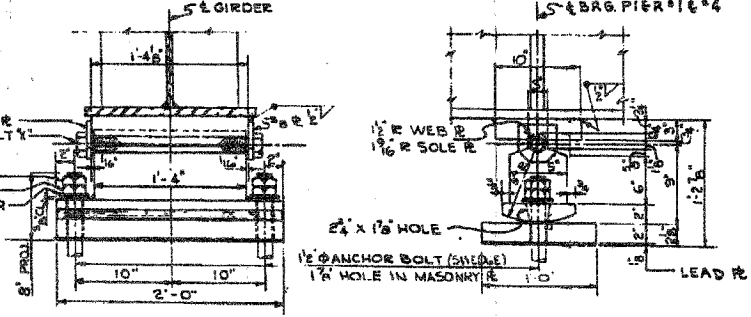
TEMPERATURE	110°	70°	50°	30°	10°
LOCATION OF BEARINGS	ROADWAY				
PIER #1 (NORTH)	C	-1/16"	-3/16"	0	+3/16"
PIER #2	B	-1/16"	-3/16"	0	+3/16"
PIER #3 (FIXED)	A	0	0	0	0
PIER #4 (SOUTH)	C	+1/16"	+3/16"	0	-3/16"
LOCATION OF BEARINGS	RAMPE				
PIER #1 (NORTH)	C	-1/16"	-3/16"	0	+3/16"
PIER #2 (FIXED)	A	0	0	0	0
SUSPENDED SPAN					
SOUTH END (FIXED)	E	0	0	0	0
NORTH END	D	+3/16"	+3/16"	0	-3/16"
PIER #3 (FIXED)	A	0	0	0	0
PIER #4 (SOUTH)	C	+1/16"	+3/16"	0	-3/16"

SCHEDULE OF BEARINGS

BEARING TYPE	NUMBER REQUIRED	WEIGHT OF STEEL PER BRG. (LBS)	TOTAL STEEL (LBS)
A	32	871	27,872
B	16	1,070	17,120
C	48	646	31,008
D	8	703	5,624
E	8	772	6,176
TOTAL			87,800

MATERIAL - TYPE 'C'

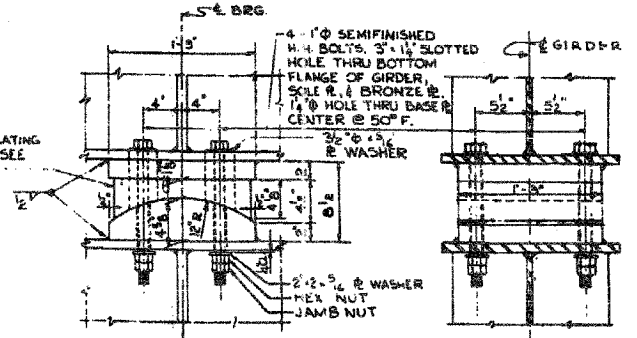
SOLE R	10" x 3" x 1/4"	2-5/8" R	5" x 5" x 5/16"
MASONRY R	12" x 2" x 2"	2-BOLT X	1/2" x 3"
WEB R	8" x 5" x 1/4"	2-ANCHOR BOLTS	1/2" x 2"
ROCKER R	6" x 2" x 2"	2-R WASHERS	2" x 2" x 5/16"
6-LEAD R	12" x 6" x 2"		



EXPANSION BRG. TYPE 'C' (48 REQ.)
SCALE: 1/2"=1'-0"

MATERIAL - TYPE 'D'

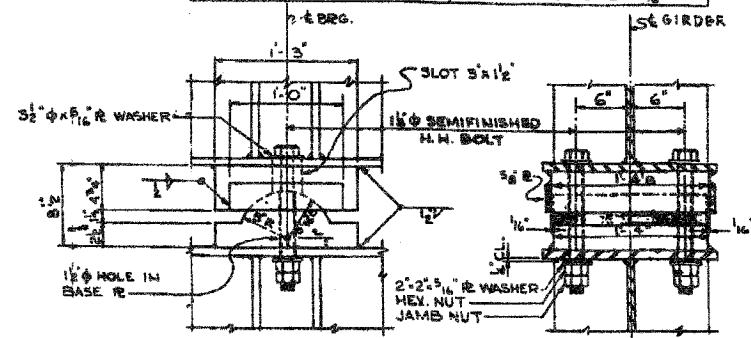
SOLE R	15" x 2" x 1/3"	4-BOLTS	1" x 4" x 1/3"
BRONZE R	14" x 4" x 1/3"	4-R WASHERS	3/2" x 5/4"
BASE R	15" x 4" x 1/3"	4-R WASHERS	2" x 2" x 5/16"



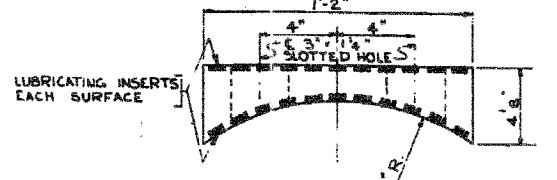
EXPANSION BRG. TYPE 'D' (8 REQ.)
SCALE: 1/2"=1'-0"

MATERIAL - TYPE 'E'

SOLE R	15" x 4" x 1/4"	2-BOLTS	1" x 4" x 1/3"
BASE R	15" x 6" x 1/4"	2-R WASHERS	3/2" x 5/4"
2-5/8" R	5" x 5" x 5/16"	2-R WASHERS	2" x 2" x 5/16"



FIXED BRG. TYPE 'E' (8 REQ.)
SCALE: 1/2"=1'-0"



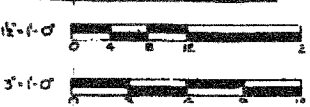
DETAIL OF SELF LUBRICATING BRONZE R
SCALE: 3"=1'-0"

NOTE: SEE ANCHOR BOLT SETTING DETAIL SHT. 523
 * ALL WELDED PLATES TO BE A-7 STEEL
 * ROCKER R (WEB R FOR EXPANSION BRG. TYPES B, C) CAN BE GRADE 65-35 CARBON STEEL CASTING.

BILL OF MATERIAL

ITEM	UNIT	QUANTITY
STRUCTURAL STEEL	LBS.	87,800

INCLUDED IN WT. OF SHT. 511



Designed: H.S.W.
 Drawn: H.M.M.
 Checked: P.J.V.
 In Charge: H.S. WULF
 Approve: L.N. RIAN

CITY OF CHICAGO
 DEPARTMENT OF PUBLIC WORKS
 BUREAU OF ENGINEERING
 SOUTH ROUTE SUPERHIGHWAY
 ELEVATED HIGHWAY
 W. 16 TH. ST. TO W. 15 TH. ST.
 SECTION 5-2525.3-2H
 BEARINGS UNIT I
 DE LEUW, CATHNER & COMPANY
 CONSULTING ENGINEERS CHICAGO
 SCALE: AS NOTED DATE: AUGUST, 1961

Sheet < > of < >

REVISIONS	NAME	DATE

ILLINOIS DEPARTMENT OF TRANSPORTATION
 F.A.I. 94/90 (DAN RYAN EXPRESSWAY)
 NB DAN RYAN ELEVATED BRIDGE
 REPAIR FROM 15TH TO 28TH STREETS
 EXISTING PLAN INFORMATION
 SN 016-1110
 SCALE: NTS
 DATE: 7/22/2005
 DRAWN BY: BDC
 CHECKED BY: BLU

FOR INFORMATION ONLY