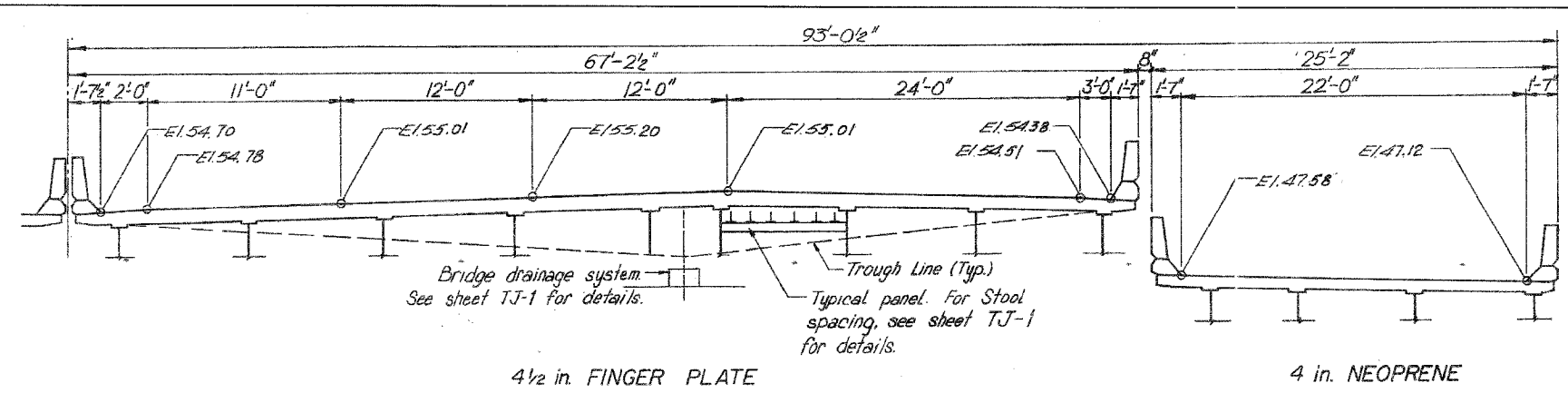
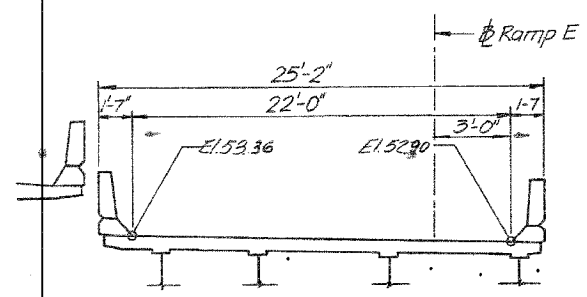


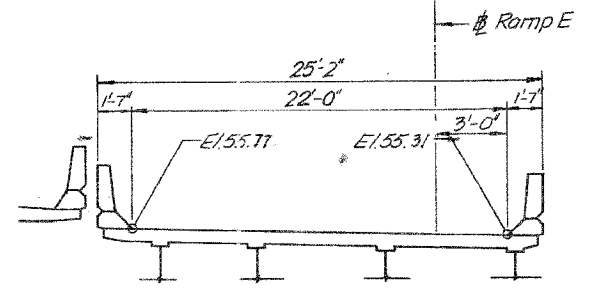
F.A.I.	SECTION	COUNTY	TOTAL SHEETS	SHEET NO.
94/90	2003-028F	COOK	419	326
STA.	TO STA.			
FED. ROAD DIST. NO.	ILLINOIS	FED. AID PROJECT		
62580				



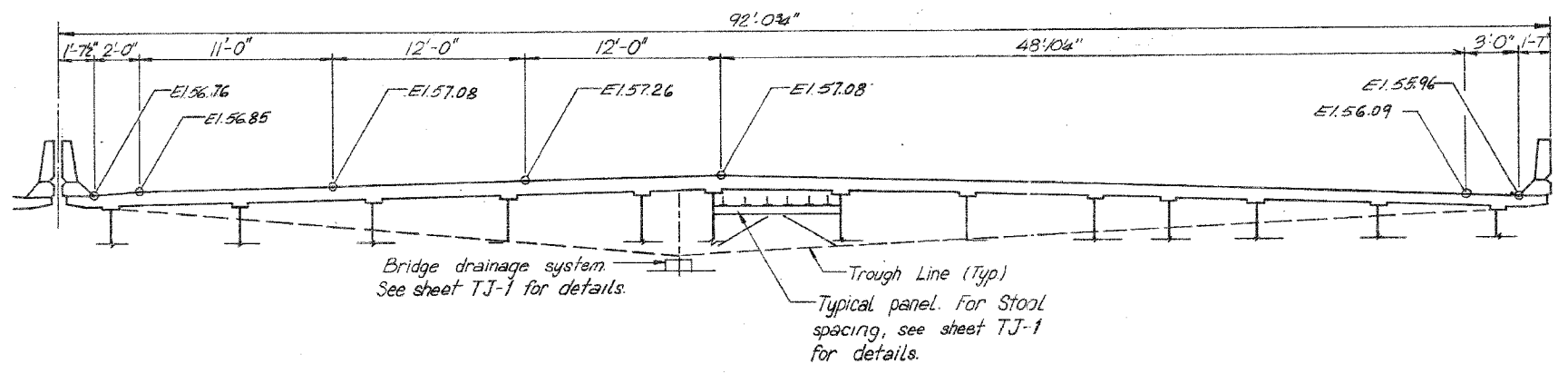
EXPANSION JOINTS AT PIER No. 1



EXPANSION JOINT 'A' SPAN 2
2 1/2 in. PREFORMED JOINT SEAL



EXPANSION JOINT 'B' SPAN 2
2 in. NEOPRENE



EXPANSION JOINT AT PIER No. 4
4 1/2 in. FINGER PLATE

- Notes:
1. All Dimensions are along Centerline of Joint.
 2. For details see sheets TJ1, TJ2 & TJ3.
 3. All Sections looking up-station.

12-1-88

SHEET 018 OF 035

STATE OF ILLINOIS
DEPARTMENT OF TRANSPORTATION
F.A.I. ROUTE 90/94 (DAN RYAN EXPRESSWAY)
SECTION 1985-077-BR-COOK COUNTY
N.B. MAINLINE RECONSTRUCTION
STRUCTURE 016-1110
TRANSVERSE DECK JT. ELEVATION
Scale: NONE
Date: AUG., 1988
Drawn By: J.G.
Checked By: M.E.M.
ENVIRODYNE ENGINEERS INC.
Chicago, Illinois

REVISIONS	
Name	Date

REVISIONS	
NAME	DATE

ILLINOIS DEPARTMENT OF TRANSPORTATION
F.A.I. 94/90 (DAN RYAN EXPRESSWAY)
NB DAN RYAN ELEVATED BRIDGE
REPAIR FROM 15TH TO 28TH STREETS
EXISTING PLAN INFORMATION
SN 016-1110
SCALE: NTS
DATE: 7/22/2005
DRAWN BY: BDC
CHECKED BY: BLU

BOWMAN, BARRETT & ASSOCIATES INC.
CONSULTING ENGINEERS
Chicago, Illinois
312.228.0100
www.bbainc.com

FOR INFORMATION ONLY

7/19/2005 10:51:31 AM