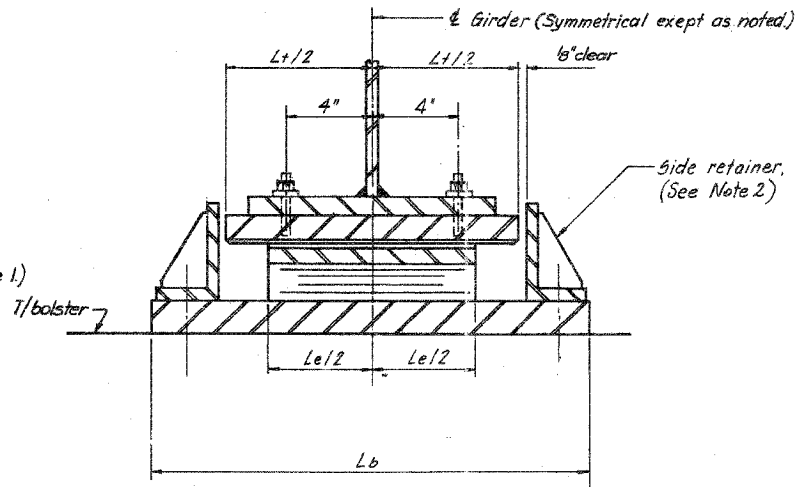


TYPICAL ELEVATION



SECTION A - A

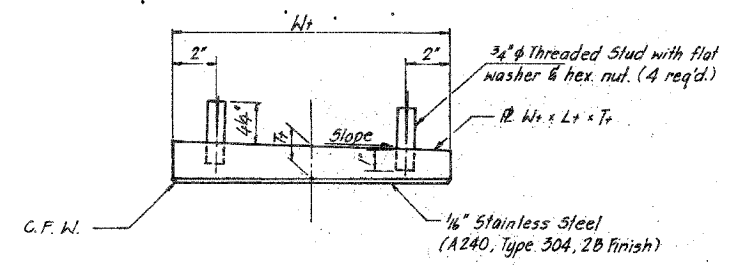
TYPE II TFE ELASTOMERIC EXPANSION BEARING

TYPE II ELASTOMERIC EXPANSION BEARING SCHEDULE

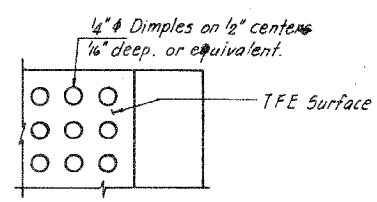
STRUCTURE NO.	PIER LOCATION	GIRDER NO.	We	Le	SERIES	TOP PLATE			BOTTOM PLATE			NO. REQ'D.	H _E	REMARKS	
						T _t	W _t	L _t	SLOPE	T _b	W _b				L _b
016-1116	1	GN-2 thru GN-4	20	30	a	4 1/2	22	32	0.0	1	21	40 1/2	3	-	N, B, ●

Remarks:

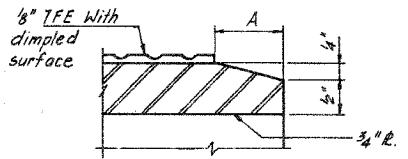
- B - Bolster required - See bolster details.
- N - New bearings for roadway widening.
- - See bolster schedule for H_E dimension.



TOP BEARING ASSEMBLY



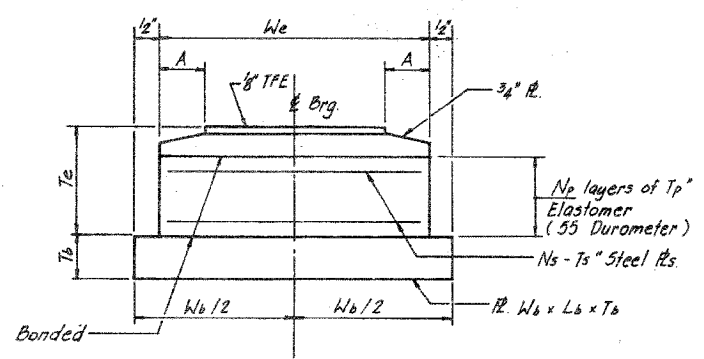
PLAN-TFE SURFACE



SECTION THRU TFE

Note: The 1/8" TFE sheet shall be bonded directly to the top steel plate with a two-component, medium viscosity epoxy resin, conforming to the requirements of the Federal Specification MMM-A-134, Type I. The bond agent shall be applied on the full area of the contact surface.

Bonding of 1/8" TFE sheet during vulcanizing process will be permitted provided the process and method of adjusting assembly height is approved by the Engineer.



BOTTOM BEARING ASSEMBLY

TABLE OF DIMENSIONS - TYPE II ELASTOMERIC EXPANSION BEARINGS

We	Le	Series	T _p	N _p	T _s	N _s	T _e
20"	30"	a	3/4"	4"	1/4"	3"	4 1/2"

- T_p - denotes thickness of each elastomeric layer
- N_p - denotes number of elastomeric layers
- T_s - denotes thickness of each steel plate
- N_s - denotes number of steel plates

We	6"	7"	9"	10"	11"	12"
A	1"	1"	1 1/2"	1 1/2"	1 1/2"	1 1/2"

NOTES:

- Height of bearing assembly, H_E, includes top plate, elastomeric assy. and bottom plate. H_E does not include shim plate.
- Side retainer details for bearings located on top of pier are shown on this sheet. For bearings requiring a bolster, see bolster details for side retainer details.
- See Shim thickness schedule for required shims.

ALL MATERIALS SHOWN ON THIS SHEET ARE FURNISHED UNDER A SEPARATE SUPPLY CONTRACT (SECTION 1988-004 I), UNLESS NOTED OTHERWISE.

SHEET BRG 32 OF 51

STATE OF ILLINOIS DEPARTMENT OF TRANSPORTATION ILL. ROUTE 90 / 94 (DAN RYAN EXPRESSWAY) SECTION 1985-077 5-R - COOK COUNTY N.B. MAINLINE RECONSTRUCTION BEARINGS - STRUCTURE NO. 016-1116 TYPE II ELASTOMERIC EXPANSION BEARING	
REVISIONS Name _____ Date _____ Name _____ Date _____ Name _____ Date _____	Scale: NONE Date: AUGUST, 1988 Drawn By: D.C. Checked By: W.B. ENVIRONMENTAL ENGINEERS INC. Chicago, Illinois

REVISIONS	NAME	DATE

ILLINOIS DEPARTMENT OF TRANSPORTATION
 F.A.I. 94/90 (DAN RYAN EXPRESSWAY)
 NB DAN RYAN ELEVATED BRIDGE
 REPAIR FROM 15TH TO 28TH STREETS
 EXISTING PLAN INFORMATION
 SN 016-1116

SCALE: NTS
 DATE: 7/22/2005
 DRAWN BY: BDC
 CHECKED BY: BLU

FOR INFORMATION ONLY