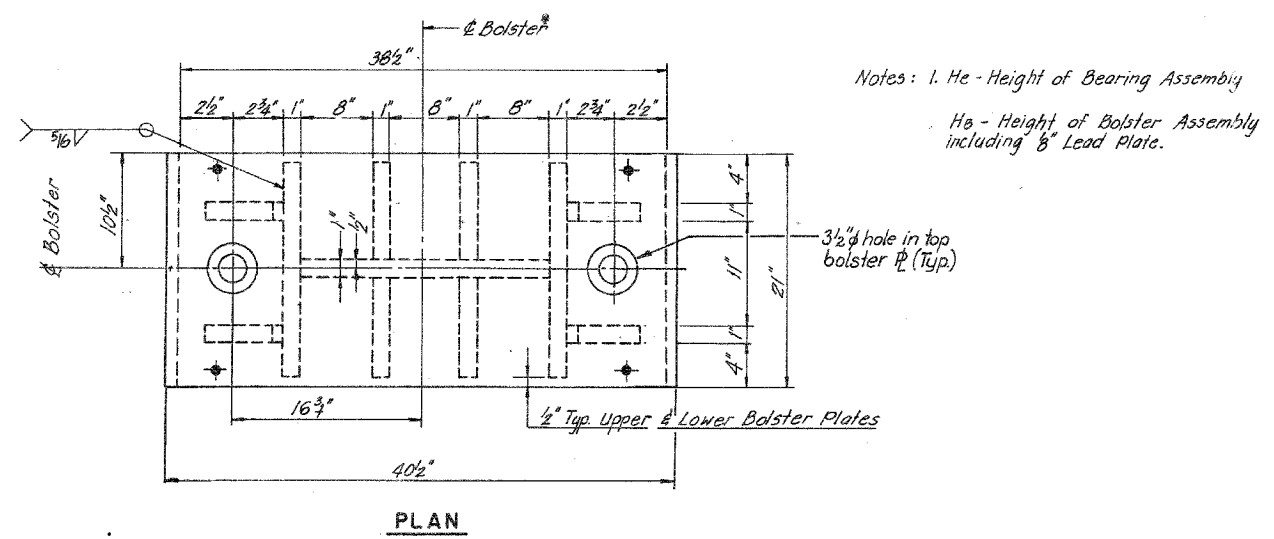
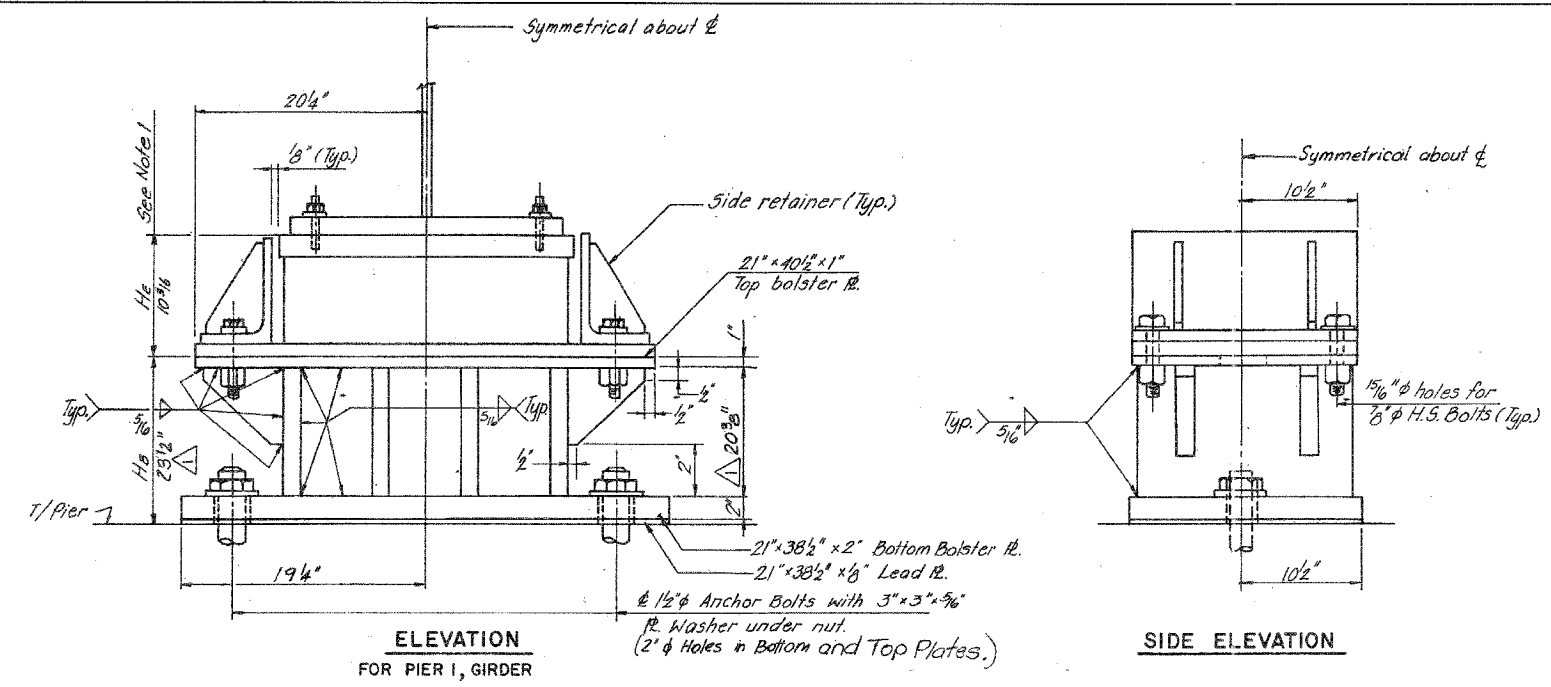


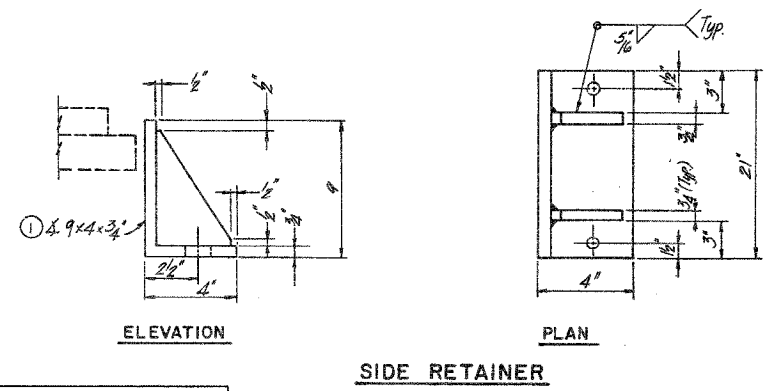
F.A.I.	SECTION	COUNTY	TOTAL SHEETS	SHEET NO.
94/90	2003-028F	COOK	419	360
STA.	TO STA.			
FED. ROAD DIST. NO.	ILLINOIS	FED. AID PROJECT		
62580				



**BOLSTER SCHEDULE**

STRUCTURE NO.	PIER LOCATION	GIRDER NO.	NO. REQ'D	BRG. TYPE	REMARKS
016-1116	1	A-N-3, 6-N-3, 6-N-4	3	II	

ALL MATERIALS SHOWN ON THIS SHEET ARE FURNISHED UNDER A SEPARATE SUPPLY CONTRACT (SECTION 1988-004 I), UNLESS NOTED OTHERWISE.



① Equivalent welded Plates will be allowed in lieu of rolled Angles with Stiffeners. ⚠

FOR INFORMATION ONLY

12-1-88

SHEET BRG 35 OF 51

REVISIONS	
Name	Date

STATE OF ILLINOIS  
 DEPARTMENT OF TRANSPORTATION  
 F.A.I. ROUTE 90/94 (DAN RYAN EXPRESSWAY)  
 SECTION 1985-077 B-R - COOK COUNTY  
 N.B. MAINLINE RECONSTRUCTION  
 BEARINGS - STRUCTURE NO. 016-1116  
 BOLSTER DETAILS  
 Scale: None  
 Date: AUGUST, 1988  
 Drawn By: D.C.  
 Checked By: N.B.  
 ENVIRODYNE ENGINEERS INC.  
 Chicago, Illinois

REVISIONS	NAME	DATE

ILLINOIS DEPARTMENT OF TRANSPORTATION  
 F.A.I. 94/90 (DAN RYAN EXPRESSWAY)  
 NB DAN RYAN ELEVATED BRIDGE  
 REPAIR FROM 15TH TO 28TH STREETS  
 EXISTING PLAN INFORMATION  
 SN 016-1116  
 SCALE: NTS  
 DATE: 7/22/2005  
 DRAWN BY: BDC  
 CHECKED BY: BLU

BOWMAN, BARRETT & ASSOCIATES INC.  
 CONSULTING ENGINEERS  
 Chicago, Illinois  
 312.228.0100  
 www.bbainc.com