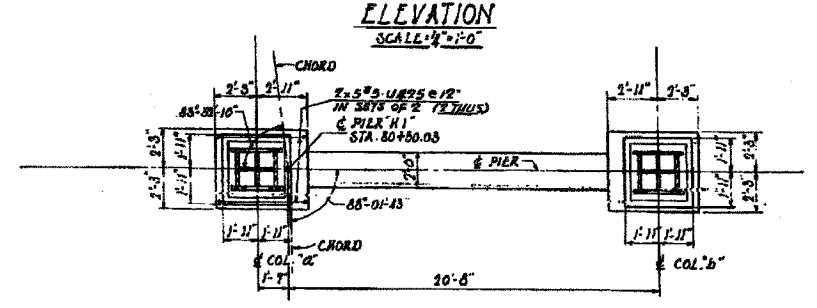
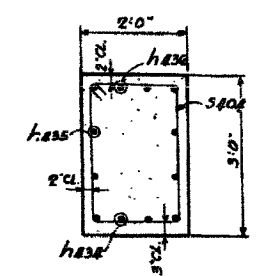
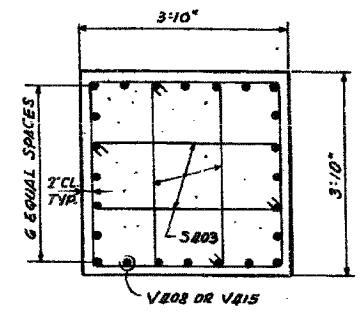
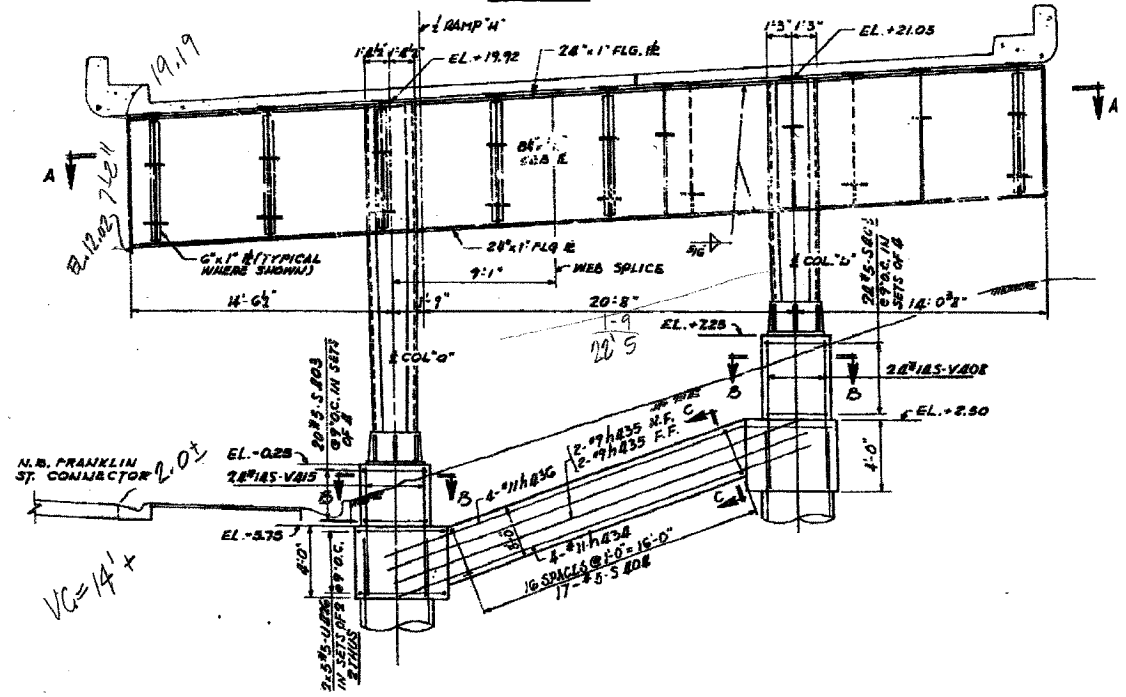


BEAM TABLE

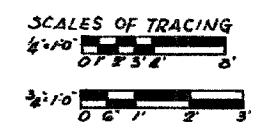
SPAN #1 (FIXED)		SPAN #2 (FIXED)	
BEAM NO	SIZE	BEAM NO	SIZE
1 & 2	33 WF152	1 THRU 3	72 WF161
7 & 8	33 WF141	2 THRU 6	33 WF130



BILL OF MATERIAL

DESCRIPTION	UNIT	QUANTITY
FURNISHING AND ERECTING STRUCTURAL STEEL	LBS.	40,980
CLASS "X" CONCRETE	CU. YDS.	18.0
REINFORCEMENT BARS	LBS.	8,460

NOTE
FOR GENERAL NOTES SEE SHY. 126.



CITY OF CHICAGO
DEPARTMENT OF PUBLIC WORKS
BUREAU OF ENGINEERING
**SOUTH ROUTE SUPERHIGHWAY
ELEVATED HIGHWAY
28TH PLACE TO STEWART AVE.**
SECTION 5-2424.3-4H
PIER HI
SHEET NO. 144 OF 184 SHEETS DATE: MARCH, 1961

REVISIONS	NAME	DATE

ILLINOIS DEPARTMENT OF TRANSPORTATION
F.A.I. 94/90 (DAN RYAN EXPRESSWAY)
NB DAN RYAN ELEVATED BRIDGE
REPAIR FROM 15TH TO 28TH STREETS
EXISTING PLAN INFORMATION
SN 016-1117 & 016-1118
SCALE: NTS
DATE: 7/22/2005
DRAWN BY: BDC
CHECKED BY: BLU

BOWMAN, BARRETT & ASSOCIATES INC.
CONSULTING ENGINEERS
Chicago, Illinois
312.228.0100
www.bbainc.com

FOR INFORMATION ONLY