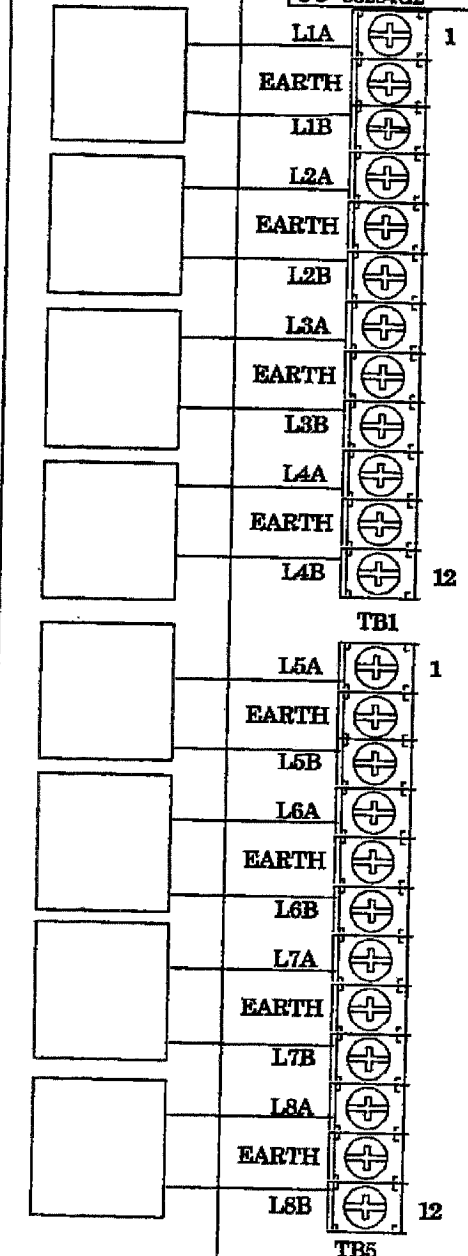


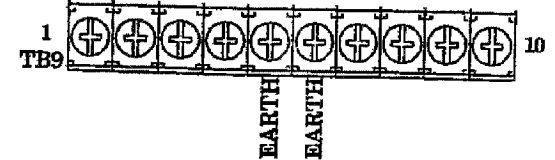
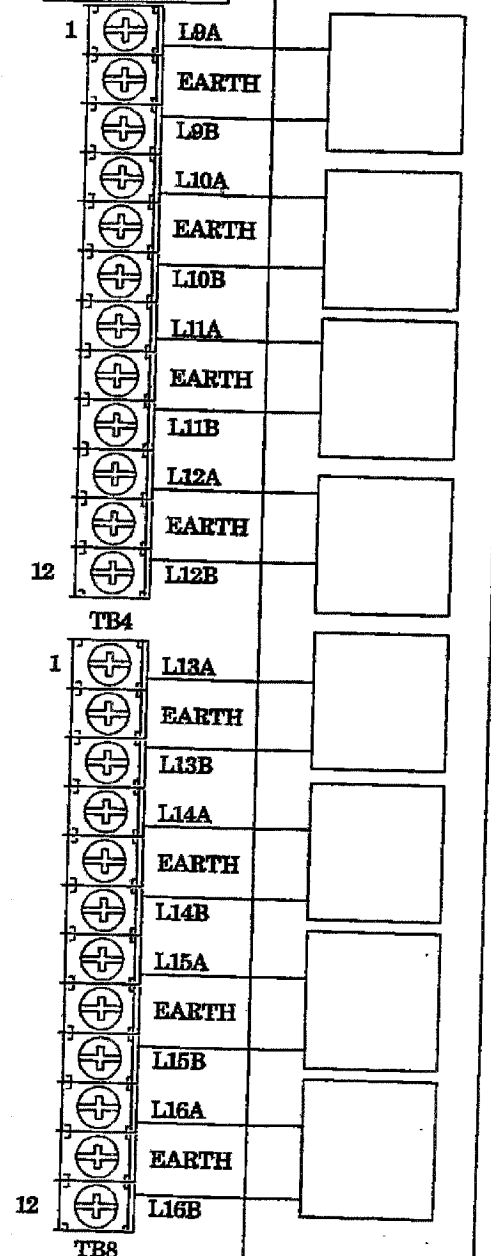
62580

DETECTOR LOOP INTERFACE ASSY. 34040G1

J1 TO DRLJ14 CC 33284G2



J2 TO DRLJ16 CC 33284G3



DET. LOOPS 1-8, 17-18 (J14) CC 33284G2

PIN	FUNCTION	TO
1	LOOP 1+	LP1L:TB1-1
2	LOOP 1-	LP1L:TB1-3
3	LOOP 2+	LP1L:TB1-4
4	LOOP 2-	LP1L:TB1-6
5	LOOP 3+	LP1L:TB1-7
6	LOOP 3-	LP1L:TB1-9
7	LOOP 4+	LP1L:TB1-10
8	LOOP 4-	LP1L:TB1-12
9	LOOP 5+	LP1L:TB5-1
10	LOOP 5-	LP1L:TB5-3
11	LOOP 6+	LP1L:TB5-4
12	LOOP 6-	LP1L:TB5-6
13	LOOP 7+	LP1L:TB5-7
14	LOOP 7-	LP1L:TB5-9
15	LOOP 8+	LP1L:TB5-10
16	LOOP 8-	LP1L:TB5-12
17	NOT USED	
18	NOT USED	
19	NOT USED	
20	NOT USED	
21	NOT USED	
22	NOT USED	
23	NOT USED	
24	NOT USED	
25	NOT USED	
26	NOT USED	

DET. LOOPS 9-16 (J15) CC 33284G3

PIN	FUNCTION	TO
1	LOOP 9+	LP12:TB4-1
2	LOOP 9-	LP12:TB4-3
3	LOOP 10+	LP12:TB4-4
4	LOOP 10-	LP12:TB4-6
5	LOOP 11+	LP12:TB4-7
6	LOOP 11-	LP12:TB4-9
7	LOOP 12+	LP12:TB4-10
8	LOOP 12-	LP12:TB4-12
9	LOOP 13+	LP12:TB8-1
10	LOOP 13-	LP12:TB8-3
11	LOOP 14+	LP12:TB8-4
12	LOOP 14-	LP12:TB8-6
13	LOOP 15+	LP12:TB8-7
14	LOOP 15-	LP12:TB8-9
15	LOOP 16+	LP12:TB8-10
16	LOOP 16-	LP12:TB8-12
17	NOT USED	
18	NOT USED	
19	NOT USED	
20	NOT USED	

EXPANSION OUTPUT GND CC 33284G8

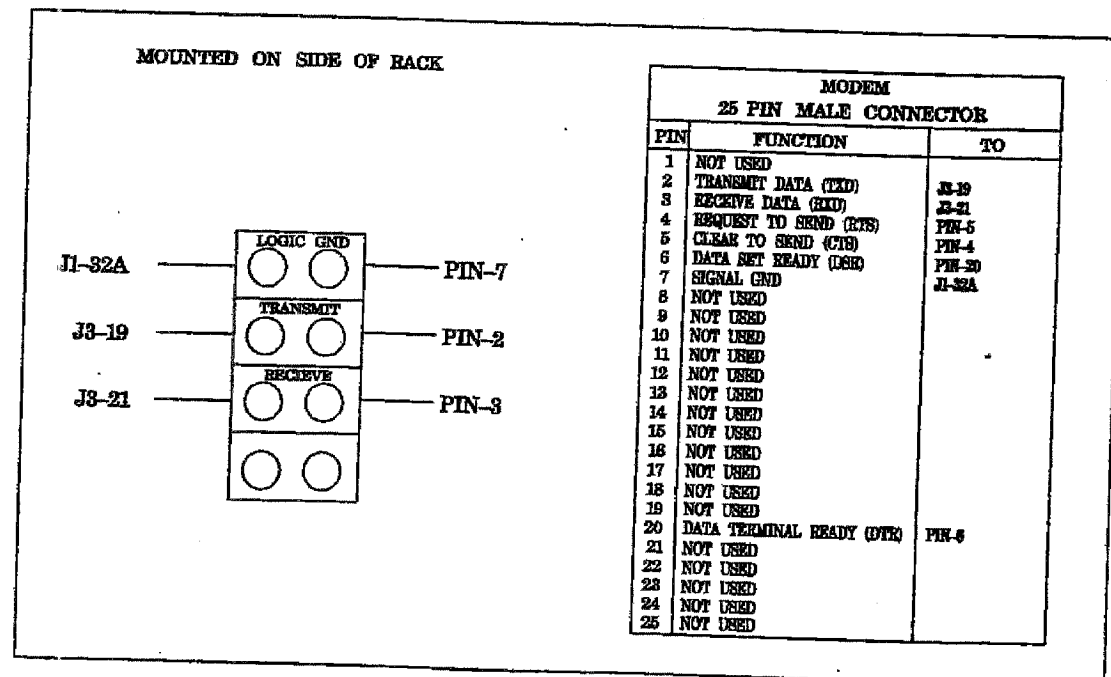
PIN	FUNCTION	TO
1	DET.1+ OUT	
2	DET.2+ OUT	
3	DET.3+ OUT	
4	DET.4+ OUT	
5	DET.5+ OUT	
6	DET.6+ OUT	
7	DET.7+ OUT	
8	DET.8+ OUT	
9	DET.9+ OUT	
10	DET.10+ OUT	
11	DET.11+ OUT	
12	DET.12+ OUT	
13	DET.13+ OUT	
14	DET.14+ OUT	
15	DET.15+ OUT	
16	DET.16+ OUT	
17	NOT USED	
18	NOT USED	
19	NOT USED	
20	NOT USED	
21	NOT USED	
22	NOT USED	
23	NOT USED	
24	NOT USED	
25	NOT USED	
26	NOT USED	

PROGRAM CARD (J19) CC 33284G17

PIN	FUNCTION	TO
1	NOT USED	
2	NOT USED	
3	NOT USED	
4	NOT USED	
5	NOT USED	
6	NOT USED	
7	NOT USED	
8	NOT USED	
9	DET.1- OUT	
10	DET.2- OUT	
11	DET.3- OUT	
12	DET.4- OUT	
13	DET.5- OUT	
14	DET.6- OUT	
15	DET.7- OUT	
16	DET.8- OUT	
17	NOT USED	
18	DET.9- OUT	
19	DET.10- OUT	
20	DET.11- OUT	
21	DET.12- OUT	
22	DET.13- OUT	
23	DET.14- OUT	
24	DET.15- OUT	
25	DET.16- OUT	
26	NOT USED	

AC POWER (J17) CC 33284G6

PIN	FUNCTION	TO
1	EARTH GND.(GREEN)	
2	AC LINE.(BLACK)	
3	AC NEUTRAL.(WHITE)	
4	LOGIC GND.(GREY)	



TSC21
DETECTOR RACK SHEET 2 OF 2

REVISIONS	
NAME	DATE

ILLINOIS DEPARTMENT OF TRANSPORTATION
F.A.I. 94/90 (DAN RYAN EXPRESSWAY)
NB DAN RYAN ELEVATED BRIDGE
REPAIR FROM 15TH TO 28TH STREETS
TRAFFIC SYSTEMS CENTER
DETAILS

SCALE: NTS
DATE: 8/12/2005
DRAWN BY:
CHECKED BY:

9/30/2005 9:36:37 AM