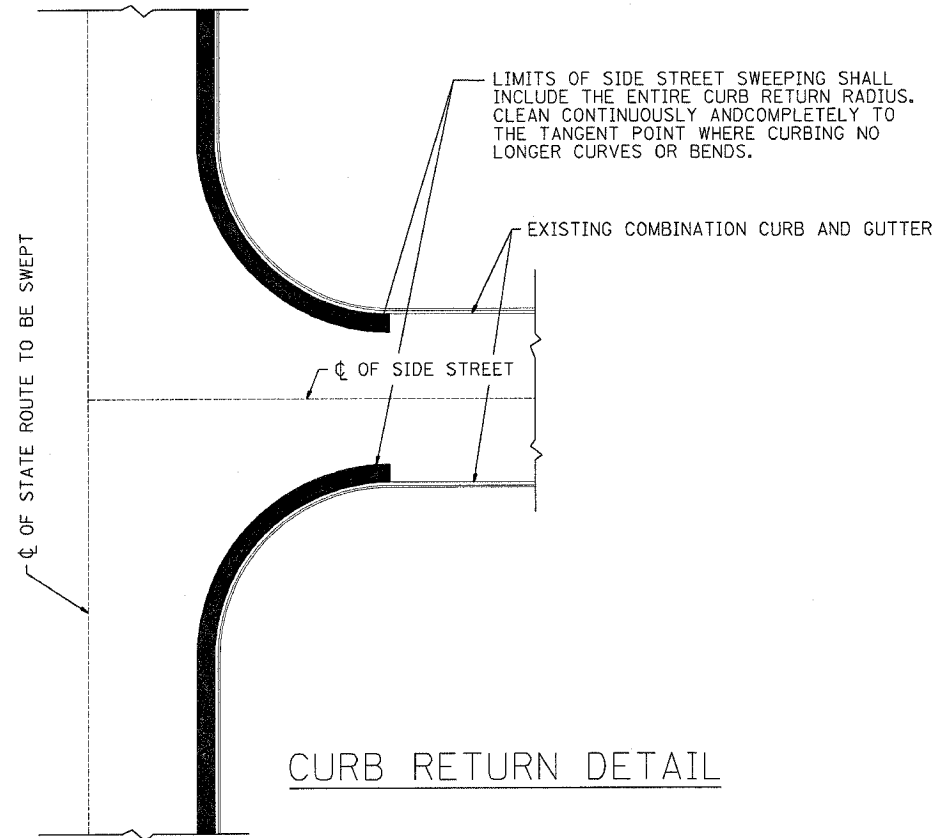
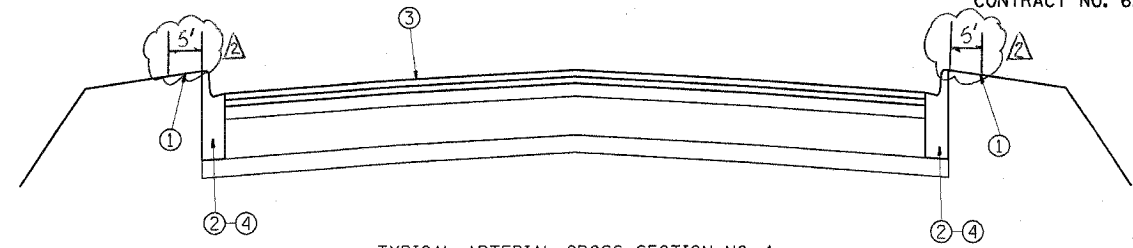


F.A. RTE.	SECTION	COUNTY	TOTAL SHEETS	SHEET NO.
VAR.	2004-090 I	VARIOUS	21	5
STA.	TO STA.			
FED. ROAD DIST. NO. ILLINOIS FED. AID PROJECT				

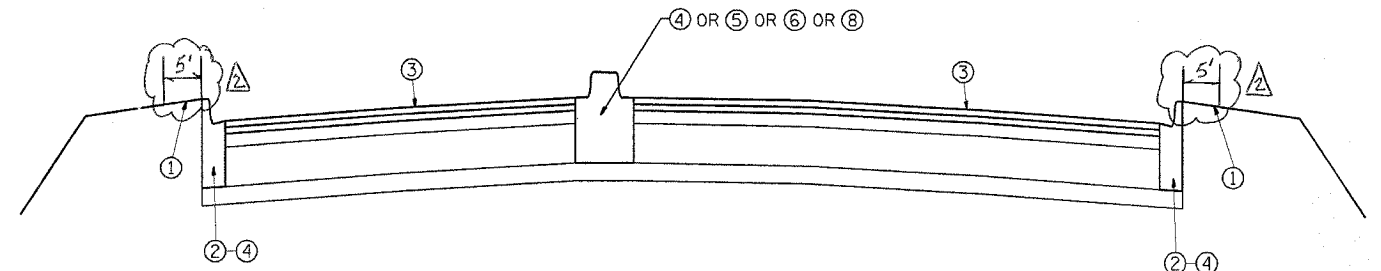
CONTRACT NO. 62830



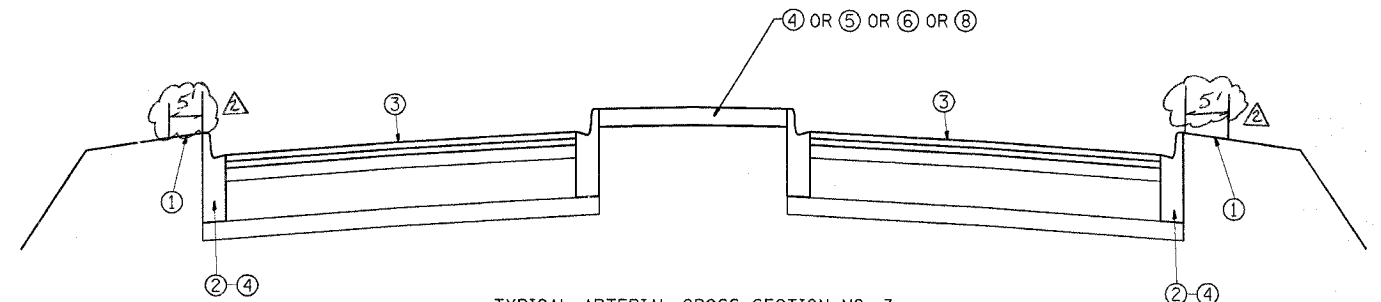
CURB RETURN DETAIL



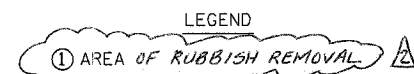
TYPICAL ARTERIAL CROSS SECTION NO. 1



TYPICAL ARTERIAL CROSS SECTION NO. 2



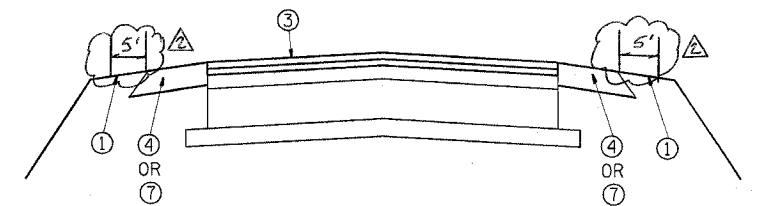
TYPICAL ARTERIAL CROSS SECTION NO. 3



- ① AREA OF RUBBISH REMOVAL
- ② CURB AND GUTTER
- ③ TRAVELED ROADWAY
- ④ STABILIZED SHOULDER OR MEDIAN
- ⑤ STEEL PLATE GUARD
- ⑥ CONCRETE BARRIER
- ⑦ AGGREGATE SHOULDER (TO BE CLEANED BY HAND TOOLS OF DEBRIS/LITTER)
- ⑧ RAISED CONCRETE MEDIAN

NOTE:
SLOPE WALLS UNDER BRIDGES ARE NOT INCLUDED IN AREAS TO BE CLEANED.

Rev. 9-12-05



TYPICAL ARTERIAL CROSS SECTION NO. 4

REVISIONS	
NAME	DATE

ILLINOIS DEPARTMENT OF TRANSPORTATION
EXPRESSWAY AND ARTERIAL HIGHWAY
CLEANING (SWEEPING)

TYPICAL
ARTERIAL CROSS SECTIONS
AND CURB RETURN DETAIL

SCALE: NONE
DATE: 7/21/2005

DRAWN BY
CHECKED BY